

Excellent Integrated System Limited

Stocking Distributor

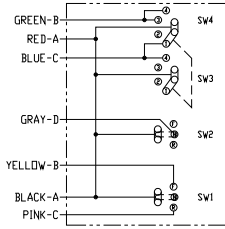
Click to view price, real time Inventory, Delivery & Lifecycle Information:

[Honeywell Sensing and Productivity Solutions
84467-22](#)

For any questions, you can email us directly:

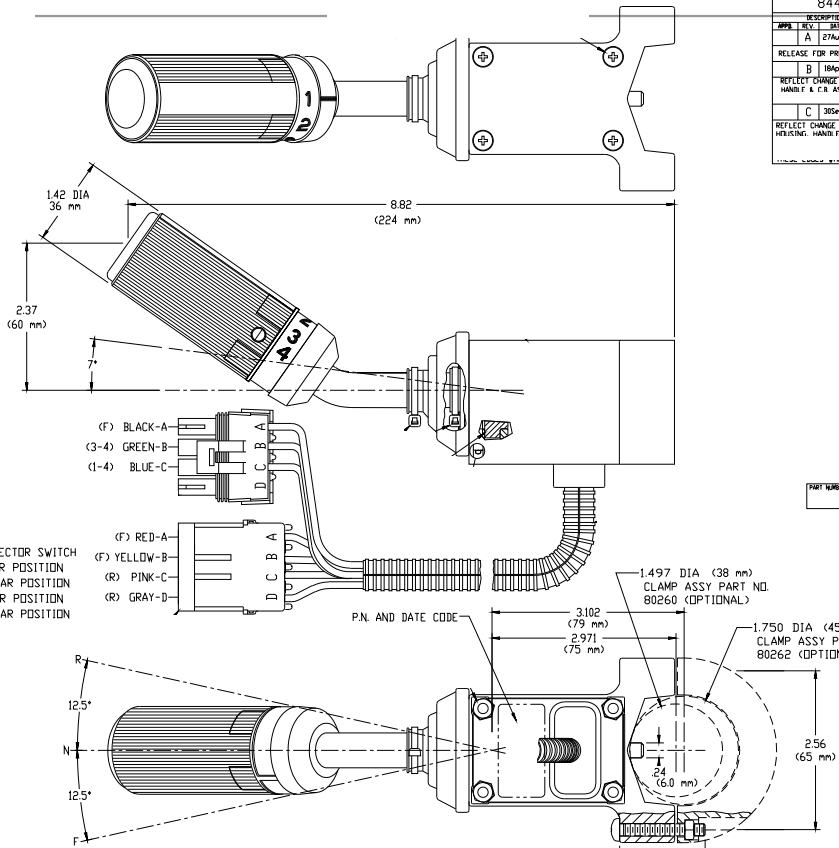
sales@integrated-circuit.com

PART NUMBER	84467	REV.	C
DESCRIPTION OF CHANGE			
APP. DATE	3051	ISS. NO.	1
A	27Aug98	30954	#
RELEASE FOR PRODUCTION			
B	18Apr00	32219	#
REFLECT CHANGE TO 84594 HOLDING HANDS F & C.R. ASSY			
C	30Sep98	33261	#
REFLECT CHANGE TO ITEM 1-84594 HOLDING HANDS F & C.R. ASSY			



ELECTRICAL SCHEMATIC
SHOWN IN NEUTRAL
LEGEND

F	FORWARD POSITION	SW4	SPEED SELECTOR SWITCH
N	NEUTRAL POSITION	1	FIRST GEAR POSITION
R	REVERSE POSITION	2	SECOND GEAR POSITION
SW1	DIRECTION SELECTOR SWITCH (B POSITIVE)	3	THIRD GEAR POSITION
SW2	NEUTRAL START SWITCH	4	FOURTH GEAR POSITION
SW3	SPEED SELECTOR SWITCH		



PART NUMBER	84467	REV.	C
-------------	-------	------	---

CONNECTOR-PACKARD NO. 12015797
 TERMINAL NO. PACKARD NO. 12089188
 CABLE SEAL NO. 12015284
 MATING NO. 12010974
 CONNECTOR-PACKARD NO. 12010974
 TERMINAL NO. PACKARD NO. 12089040
 CABLE SEAL NO. 12010293
 MATING NO. 12015797

PROPRIETARY INFORMATION, PROPERTY OF HOBBS CORPORATION. SIM 16 B2913

DRAWN		CHECKED		TOLERANCES UNLESS OTHERWISE SPECIFIED		MATERIAL		FINISH	
RF				.XX ± .005		XXXX ± .005			
DATE		SCALE		.XX ± .010		.XX ± .010			
7 Jul 98		1:1		.XX ± .005		.XX ± .010			
DO NOT SCALE		DCT. NO.							

SHIFTER ASSY 4X4 W/O HORN BUTTON		PART NUMBER	
NEXT ASSY:		84467	