

Excellent Integrated System Limited

Stocking Distributor

Click to view price, real time Inventory, Delivery & Lifecycle Information:

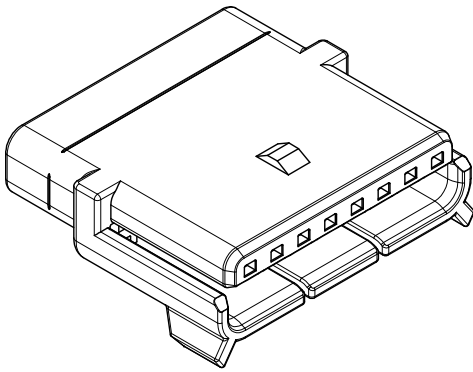
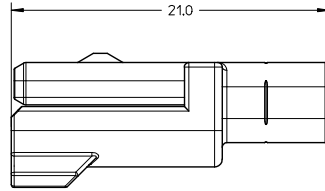
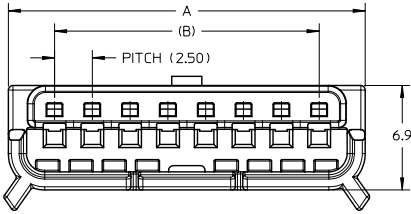
[Molex Connector Corporation](#)
[0368770005](#)

For any questions, you can email us directly:
sales@integrated-circuit.com

10 9 8 7 6 5 4 3 2 1

NOTES:

1. MATERIAL: PA66, UL 94V-0
COLOR: NATURAL(WHITE)
2. USE CRIMP TERMINAL SERIES 36876
3. PART MATES WITH IDENTICAL HOUSING (SERIES 36877)
4. PRODUCT SPECIFICATION PS-36876-001
5. PACKAGING SPECIFICATION PK-36877-001
6. COSMETIC SPECIFICATION: PS-45499-002 CLASS B



PART NO	CIRCUIT SIZE	A ±0.35	(B)
368770002	2	8.5	(2.5)
368770003	3	11.0	(5.0)
368770004	4	13.5	(7.5)
368770005	5	16.0	(10.0)
368770006	6	18.5	(12.5)
368770007	7	21.0	(15.0)
368770008	8	23.5	(17.5)

REV 'A' RELEASE EC NO: UCP2016-1608 DRWNGS: 2015/10/13 CHKD: [blank] APPR: KPRASAD 2015/10/26	QUALITY SYMBOLS √=0 √=0 √=0	GENERAL TOLERANCES (UNLESS SPECIFIED)		DIMENSION STYLE MM ONLY		SCALE 4:1	DESIGN UNITS METRIC	THIRD ANGLE PROJECTION	
		4 PLACES ± --- ± ---	mm INCH	DRAWN BY NCSR	DATE 2013/10/24	GENDERLESS HOUSING FRICTION LOCK DITTO INTERCONNECTS molex			
		3 PLACES ± --- ± ---	2 PLACES ± 0.25 ± ---	CHECKED BY [blank]	DATE [blank]				
		1 PLACE ± 0.3 ± ---	0 PLACE ± --- ± ---	APPROVED BY KPRASAD	DATE 2013/10/29	MATERIAL NO. SEE TABLE	DOCUMENT NO. SD-36877-001	SHEET NO. 1 OF 1	
DRAFT WHERE APPLICABLE MUST REMAIN WITHIN DIMENSIONS		ANGULAR ±1/2°		THIS DRAWING CONTAINS INFORMATION THAT IS PROPRIETARY TO MOLEX INCORPORATED AND SHOULD NOT BE USED WITHOUT WRITTEN PERMISSION					

9 8 7 6 5 4 3 2 1