

Excellent Integrated System Limited

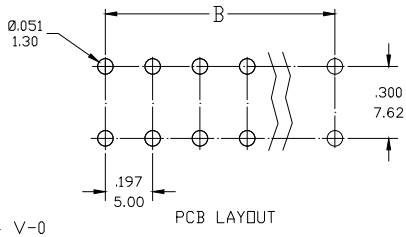
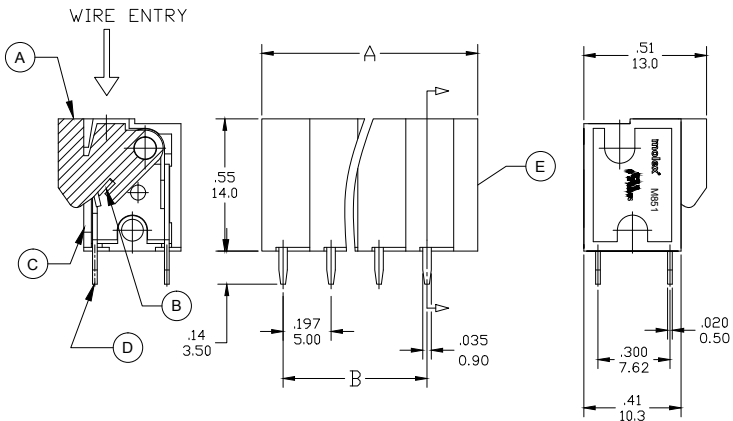
Stocking Distributor

Click to view price, real time Inventory, Delivery & Lifecycle Information:

[Molex Connector Corporation](#)
[0397000902](#)

For any questions, you can email us directly:

sales@integrated-circuit.com

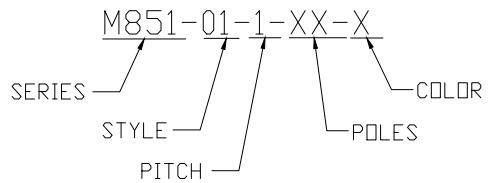


PART NUMBER DATA							
CIRCUITS	PART NUMBER	ENGINEERING NUMBER	COLOR	A IN	mm	B IN	mm
2	397000902	M851-01-1-02-3	GREEN	.49	12.5	.197	5.00
3	397000903	M851-01-1-03-3	GREEN	.69	17.5	.394	10.00
4	397000904	M851-01-1-04-3	GREEN	.89	22.5	.591	15.00
5	397000905	M851-01-1-05-3	GREEN	1.08	27.5	.787	20.00
6	397000906	M851-01-1-06-3	GREEN	1.28	32.5	.984	25.00
7	397000907	M851-01-1-07-3	GREEN	1.48	37.5	1.181	30.00
8	397000908	M851-01-1-08-3	GREEN	1.67	42.5	1.378	35.00
9	397000909	M851-01-1-09-3	GREEN	1.87	47.5	1.575	40.00
10	397000910	M851-01-1-10-3	GREEN	2.07	52.5	1.772	45.00
11	397000911	M851-01-1-11-3	GREEN	2.27	57.5	1.969	50.00
12	397000912	M851-01-1-12-3	GREEN	2.46	62.5	2.165	55.00
13	397000913	M851-01-1-13-3	GREEN	2.66	67.5	2.362	60.00
14	397000914	M851-01-1-14-3	GREEN	2.86	72.5	2.559	65.00
15	397000915	M851-01-1-15-3	GREEN	3.05	77.5	2.756	70.00
16	397000916	M851-01-1-16-3	GREEN	3.25	82.5	2.953	75.00
17	397000917	M851-01-1-17-3	GREEN	3.45	87.5	3.150	80.00
18	397000918	M851-01-1-18-3	GREEN	3.64	92.5	3.346	85.00
19	397000919	M851-01-1-19-3	GREEN	3.84	97.5	3.543	90.00
20	397000920	M851-01-1-20-3	GREEN	4.04	102.5	3.740	95.00
21	397000921	M851-01-1-21-3	GREEN	4.23	107.5	3.937	100.00
22	397000922	M851-01-1-22-3	GREEN	4.43	112.5	4.134	105.00
23	397000923	M851-01-1-23-3	GREEN	4.63	117.5	4.331	110.00
24	397000924	M851-01-1-24-3	GREEN	4.82	122.5	4.528	115.00

SPECIFICATIONS:

- MATERIAL:
 - A. BUTTON: PA66 UL94 V-0
 - B. SPRING: ST. STEEL
 - C. BODY : PA66 UL94 V-0
 - D. TERMINAL: BRASS TIN PLATED
 - E. COVER: PA66 UL94 V-0
- WIRE SIZE: 22 - 14AWG
- ELECTRICAL RATING (UL): 300V, 10A
- WIRE STRIP LENGTH: .39 (10.0mm)
- POWER FREQUENCY WITHSTAND: AC 2000V FOR 1 MINUTE
- INSULATION RESISTANCE: DC 500V, 500MΩ
- RATED IMPULSE VOLTAGE: 4000V PLUS AND MINUS 5 TIMES EACH
- OPERATING TEMPERATURE: -40°C TO +105°C
- MAX SOLDERING TEMPERATURE: +260°C FOR 5 SECONDS
- DIMS SHOWN ARE FOR REFERENCE ONLY

ENGINEERING NUMBER LEGEND



CORRECTED ENG NOS EC NO: JF2014-1194 DRWN: RSTONE 2/7/14 CHKD: G FARNSW APPR: JF MURPHY 2013/12/26 REV B	QUALITY SYMBOL ▽=0 ▽=0	GENERAL TOLERANCES (UNLESS SPECIFIED)		DIMENSION STYLE IN/MM		SCALE ---	DESIGN UNITS METRIC	THIRD ANGLE PROJECTION	
		4 PLACES ±	±	DRAWN BY RSTONE	DATE 2013/11/20	TITLE SPRING TERMINAL BLOCK .197 (5.00) PITCH VERTICAL MODULAR			
		3 PLACES ±	±.005	CHECKED BY G FARNSW	DATE 2013/12/20				
		2 PLACES ±0.13	±.01	APPROVED BY JF MURPHY	DATE 2013/12/26	MOLEX INCORPORATED			
1 PLACE ±0.3	±	ANGULAR ±°		MATERIAL NO. SEE TABLE		DOCUMENT NO. SD-39700-010		SHEET NO. 1 OF 1	
DRAFT WHERE APPLICABLE MUST REMAIN WITHIN DIMENSIONS				THIS DRAWING CONTAINS INFORMATION THAT IS PROPRIETARY TO MOLEX INCORPORATED AND SHOULD NOT BE USED WITHOUT WRITTEN PERMISSION					