

Excellent Integrated System Limited

Stocking Distributor

Click to view price, real time Inventory, Delivery & Lifecycle Information:

[Molex Connector Corporation](#)
[0764959107](#)

For any questions, you can email us directly:

sales@integrated-circuit.com

MATERIAL NUMBER	# OF COLUMNS	# OF DIFF. PAR	DIM 'A' MAX	DIM 'B'	PTH Ø
76495-8**	8	32	22.80	13.30	0.46±0.05
76495-8**					0.39±0.05
76495-16**	10	40	26.60	17.10	0.46±0.05
76495-16**					0.39±0.05
76495-24**	12	48	30.40	20.90	0.46±0.05
76495-24**					0.39±0.05
76495-32**	14	56	34.20	24.70	0.46±0.05
76495-32**					0.39±0.05
76495-40**	16	64	38.00	28.50	0.46±0.05
76495-40**					0.39±0.05

76495-***

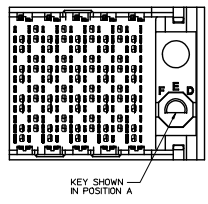
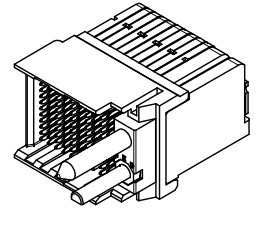
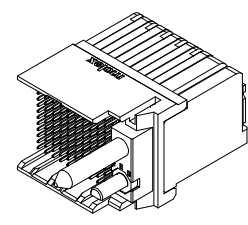
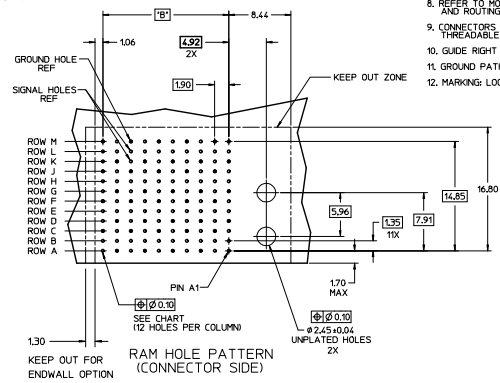
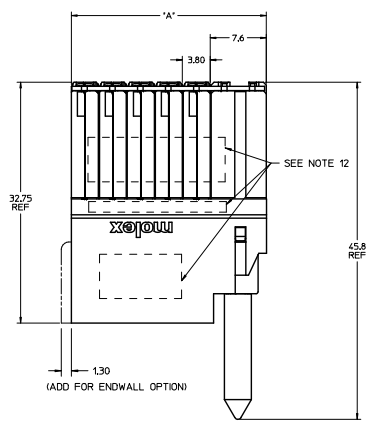
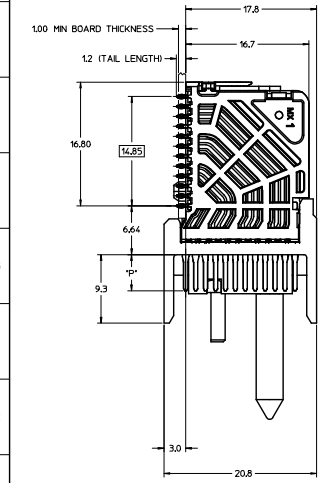
MODULE TYPE
 5 = RIGHT GUIDED, LEAD-FREE
 9 = RIGHT GUIDED, LEAD-FREE W/ ENDWALL

OF COLUMNS
 1 = 10 COLUMNS
 2 = 12 COLUMNS
 6 = 16 COLUMNS
 7 = 14 COLUMNS
 8 = 8 COLUMNS

PIN LENGTH (P)
 4 = 4.90 (0.46 PTH)
 5 = 5.50 (0.46 PTH)
 7 = 4.90 (0.39 PTH)
 8 = 5.50 (0.39 PTH)

KEY ORIENTATION
 0 = NO KEY
 1 = A 5 = E
 2 = B 6 = F
 3 = C 7 = G
 4 = D 8 = H

- NOTES:
- MATERIALS: HOUSING - LIQUID CRYSTAL POLYMER (LCP), TERMINALS - HIGH PERFORMANCE COPPER ALLOY
 - FINISH: 30µm SELECTIVE GOLD IN CONTACT AREA, SELECTIVE TIN ON PCB TAILS, NICKEL OVERALL.
 - REFER TO MOLEX PRODUCT SPECIFICATION PS-170540-999 FOR PERFORMANCE SPECIFICATIONS AND ADDITIONAL PCB INFORMATION.
 - EACH SIGNAL WAFER CONTAINS 2 COLUMNS OF TERMINALS.
 - PRODUCT IS PACKAGED PER PK-70873-041.
 - THIS PART CONFORMS TO CLASS B REQUIREMENTS OF COSMETIC SPEC PS-45499-002.
 - REFER TO MOLEX SALES DRAWING SD-170340-002 FOR THE MATING RECEPTACLE.
 - REFER TO MOLEX PCB ROUTING GUIDE AS-76060-990 FOR ANTIPAD AND ROUTING RECOMMENDATIONS.
 - CONNECTORS SUPPLIED WITH A 2-32 SCREW 73726-0000 (9.5mm ± 0.38mm THREADABLE SCREW LENGTH). THE MAXIMUM BOARD THICKNESS IS 4.4mm.
 - GUIDE RIGHT RAM MATES WITH A GUIDE LEFT DAUGHTERCARD.
 - GROUND PATHS ARE NOT DISCRETE CIRCUITS.
 - MARKING: LOCATED APPROXIMATELY AS SHOWN. PART NUMBER AND DATE CODE.



QUALITY SYMBOLS	GENERAL TOLERANCES (UNLESS SPECIFIED)		DIMENSION STYLE		SCALE	DESIGN UNITS	THIRD ANGLE PROJECTION
	mm	INCH	MM ONLY	INCH			
4 PLACES	±0.13	±---	JLAUR	DATE 2010/11/16	4:1	METRIC	IMPACT 4 PAIR PLUS 85OHM RAM SIGNAL MODULE GUIDE RIGHT SALES DWG
3 PLACES	±0.13	±---	CREATED BY	DATE			
2 PLACES	±0.25	±---	APPROVED BY	DATE			
1 PLACE	±0.25	±---	JJONIAK	2012/11/19			
ANGULAR ±1/2°			MATERIAL NO. SEE CHART		DOCUMENT NO. SD-76495-004		SHEET NO. 1 OF 2
DRAFT WHERE APPLICABLE MUST REMAIN WITHIN DIMENSIONS							
THIS DRAWING CONTAINS INFORMATION THAT IS PROPRIETARY TO MOLEX INCORPORATED AND SHOULD NOT BE USED WITHOUT WRITTEN PERMISSION							

