

Excellent Integrated System Limited

Stocking Distributor

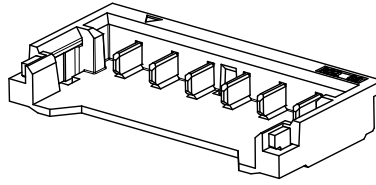
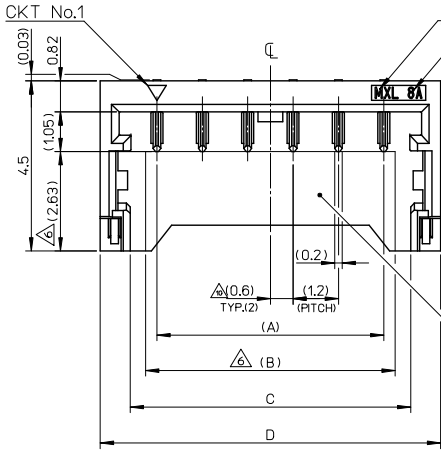
Click to view price, real time Inventory, Delivery & Lifecycle Information:

[Molex Connector Corporation](#)
[0781725007](#)

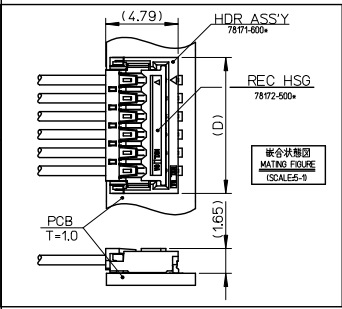
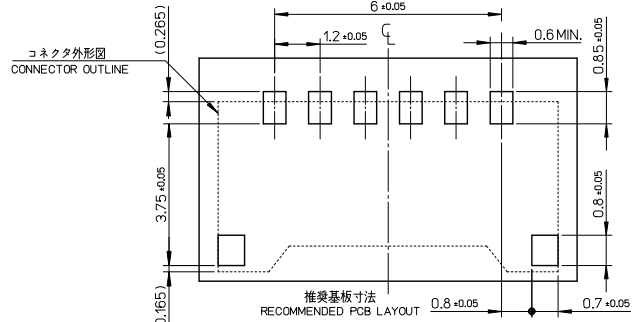
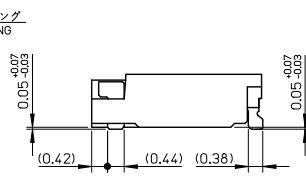
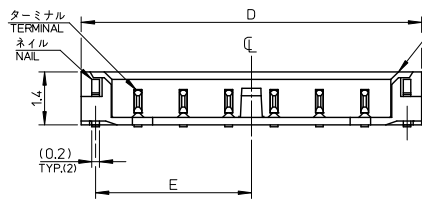
For any questions, you can email us directly:

sales@integrated-circuit.com

10 9 8 7 6 5 4 3 2 1



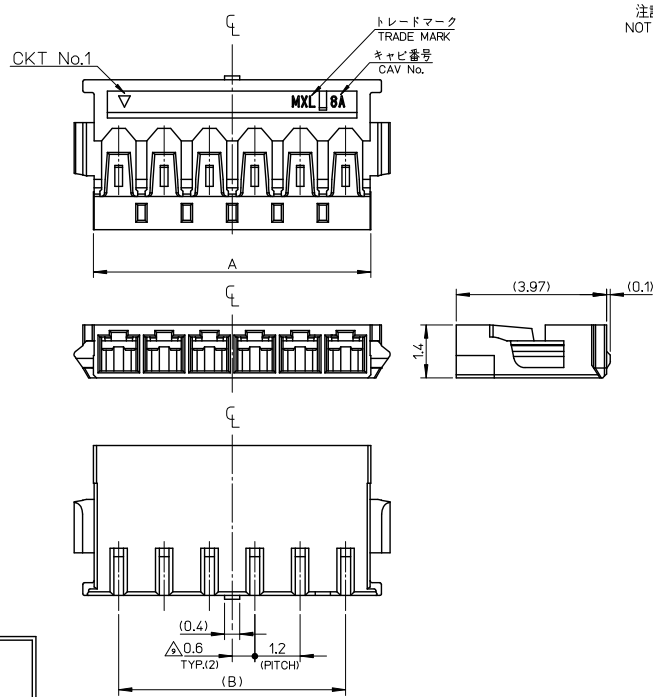
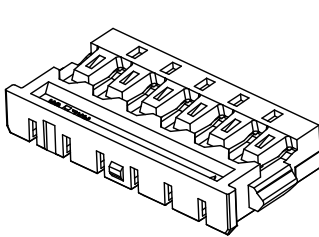
- 注記: 1. 材質 ハウジング: PA46, UL94V-0色: 黒
 NOTES. MATERIALS HOUSING: PA46, UL94V-0, COLOUR:BLACK
- ターミナル: 銅合金
 TERMINAL: COPPER ALLOY
- メッキ仕様 ターミナル: 金メッキ0.1μmMIN, ニッケル下地メッキ1.0μm MIN
 FINISHES TERMINAL: GOLD 0.1μmMIN, WITH 1.0μm MIN NICKEL UNDERPLATE OVERALL
- ネイル: 銅合金
 FITTING NAIL: COPPER ALLOY
2. 吸着推奨エリアを示す
 SHOWS VACUUM NOZZLE AREA
3. 嵌合相手: 78172-5007
 MATING WITH: 78172-5007
4. 梱包形態: エンボスリール梱包 (詳細はSD-78171-001 を参照願います)
 PACKAGING SPECIFICATION: EMBOSSED TAPE (REFER TO SD-78171-001)
- △ 製品番号は右記の内容を示す: 78171-6007
 PRODUCT NUMBER INDICATES FOLLOWING
- △ 吸着推奨エリアを示す
 SHOWS VACUUM NOZZLE AREA
7. ソルダージェットとネイルの平坦度: 0.10mm MAX
 SOLDER TAIL AND FITTING NAIL COPLANARITY 0.1mm MAX.
8. ELV及びRoHS適合品
 ELV AND RoHS COMPLIANT.
9. 製品の取扱いについては取扱説明書"AS-78172-001"を参照願います
 REFER TO INSTRUCTION MANUAL "AS-78172-001"
- △ 偶数極の製品に適用
 APPLY EVEN CIRCUIT PRODUCTS



7.2	7.8	8.62	10.2	4.72	7	78171-5007	78171-6007	
6	6.6	7.42	9	4.12	6	78171-5006	78171-6006	78171-600*
A	B	C	D	E	CKT	PACKING FORM: EMBOSSED TAPE	MATERIAL NO.	MODEL NO.
						ORDER No.		

REVISED EC NO: J2016-0936 DRAWN BY: MONISHI 2016/03/03 CHKD BY: KURAKAMI 2016/03/03 APPR: KANEKO 2016/03/15	GENERAL TOLERANCES (UNLESS SPECIFIED)			DIMENSION STYLE		SCALE	DESIGN UNITS	THIRD ANGLE PROJECTION
	0.25 UNDER	±0.03		MM ONLY		10:1	METRIC	◎ □
	0.25 OVER	0.5 UNDER	±0.05	DRAWN BY		DATE	TITLE	
	0.5 OVER	1.0 UNDER	±0.1	T. ODA		08/06/20	1.2W/B CONN. HDR ASS'Y	
	1.0 OVER	10 UNDER	±0.2	CHECKED BY		DATE		
	10 OVER	30 UNDER	±0.25	SA. SATO		08/06/20		
	30 OVER		±0.3	APPROVED BY		DATE		
	ANGULAR	±3°		NUKITA		2010/10/25		
	DRAFT WHERE APPLICABLE MUST REMAIN WITHIN DIMENSIONS			MATERIAL NO.		DOCUMENT NO.		
				SEE TABLE		SD-78171-002		
				SIZE A3		THIS DRAWING CONTAINS INFORMATION THAT IS PROPRIETARY TO MOLEX ELECTRONIC TECHNOLOGIES, LLC AND SHOULD NOT BE USED WITHOUT WRITTEN PERMISSION		

10 9 8 7 6 5 4 3 2 1



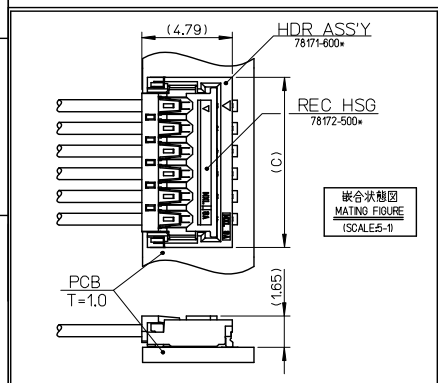
- 注記 NOTES:
- 材質 ハウジング: PA46, UL94V-0, 色: 黒
MATERIALS HOUSING: PA46, UL94V-0, COLOUR: BLACK
 - 適合ターミナル: 78172-041*
APPLICABLE TERMINAL: 78172-041*
 - 適合相手: 78171-500*
MATES WITH: 78171-500*
極数 No. CIRCUIT No.
 - 梱包形態: 袋詰め梱包
PACKAGING SPECIFICATION: PLASTIC BAG PACKAGING
 - 製品番号は右記の内容を示す: 78172-500*
PRODUCT NUMBER INDICATES FOLLOWING: 78172-500*
極数 No. CIRCUIT No.
 - ELV及びRoHS適合品
ELV AND RoHS COMPLIANT
 - 参考として本製品評価時に使用の電線仕様を以下に示します。
THE ELECTRIC WIRE SPECIFICATION USED AS REFERENCE AT THE TIME OF THIS PRODUCT EVALUATION IS SHOWN BELOW.
※製品評価時使用電線
UL3302電線
UL STYLE 3302

電線サイズ WIRE SIZE	導体仕様 CONDUCTOR SPEC.	導体構成 STRANDING, (No./mm)	導体外径 CONDUCTOR DIA. (mm)	絶縁体外径 INSULATION DIA. (mm)
AWG* 30	銅メッキ軟銅線 (TINNED ANNEALD COPPER)	7/0.10	0.30	0.70

UL 3302電線
UL STYLE 3302

電線サイズ WIRE SIZE	導体仕様 CONDUCTOR SPEC.	導体構成 STRANDING, (No./mm)	導体外径 CONDUCTOR DIA. (mm)	絶縁体外径 INSULATION DIA. (mm)
AWG* 28	銅メッキ軟銅線 (TINNED ANNEALD COPPER)	7/0.127	0.38	0.6

- 製品の取扱いについては取扱説明書"AS-78172-001"を参照願います。
REFER TO INSTRUCTION MANUAL "AS-78172-001"
- 偶数極の製品に適用
APPLY EVEN CIRCUIT PRODUCTS.



6.54	7.2	10.2	7	78172-5007	78172-500*
7.34	6	9	6	78172-5006	
A	B	C	CKT	MATERIAL NO.	MODEL NO.

GENERAL TOLERANCES (UNLESS SPECIFIED)				DIMENSION STYLE		SCALE	DESIGN UNITS	THIRD ANGLE PROJECTION
				MM ONLY		10:1	METRIC	THIRD ANGLE PROJECTION
0.25 UNDER			±0.03	DRAWN BY	DATE	TITLE		
0.25 OVER	0.5 UNDER		±0.05	T. ODA	08/06/16	12W/B CONN REC CRIMP HSG		
0.5 OVER	1.0 UNDER		±0.1	CHECKED BY	DATE			
1.0 OVER	10 UNDER		±0.2	SA. SATO	08/06/16			
10 OVER	30 UNDER		±0.25	APPROVED BY	DATE			
30 OVER			±0.3	S. ICHIKAWA	08/06/16	SD-78172-001		
ANGULAR	±1 °			MATERIAL NO.		DOCUMENT NO.	SHEET NO.	
DRAFT WHERE APPLICABLE MUST REMAIN WITHIN DIMENSIONS				SIZE	THIS DRAWING CONTAINS INFORMATION THAT IS PROPRIETARY TO MOLEX INCORPORATED AND SHOULD NOT BE USED WITHOUT WRITTEN PERMISSION			

10 9 8 7 6 5 4 3 2 1