

Excellent Integrated System Limited

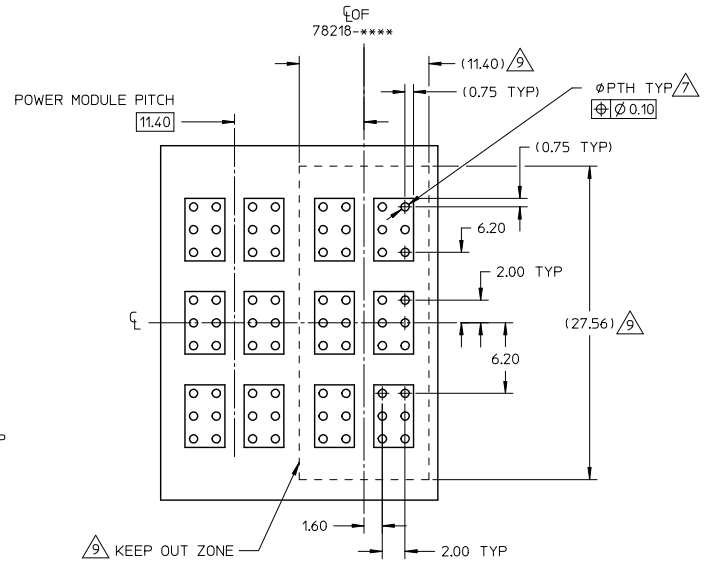
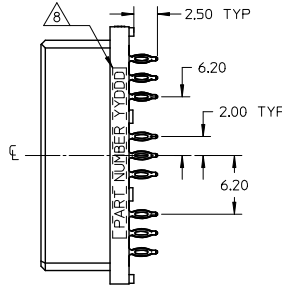
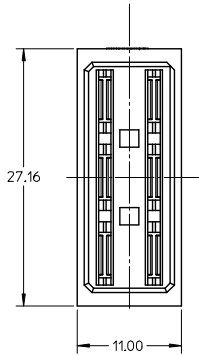
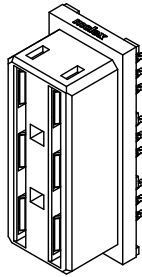
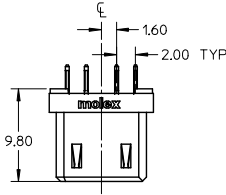
Stocking Distributor

Click to view price, real time Inventory, Delivery & Lifecycle Information:

[Molex Connector Corporation](#)
[0782181001](#)

For any questions, you can email us directly:
sales@integrated-circuit.com

| | | | | | | | | | |
|-------------|---|----------------|---|-----------|---|---|---|---|---|
| 10 | 9 | 8 | 7 | 6 | 5 | 4 | 3 | 2 | 1 |
| PART NUMBER | | PLATING OPTION | | PACKAGING | | | | | |
| 78218-1001 | | TIN PLATING | | TRAY | | | | | |



RECOMMENDED PCB LAYOUT

(COMPONENT SIDE SHOWN)
MINIMUM BOARD THICKNESS: 1.60mm

NOTES:

1. MATERIAL:
HOUSING - LCP, GLASS FILLED, UL94-V0, COLOR: BLACK
POWER PIN - COPPER ALLOY

2. FINISHES:
TIN - 0.76μm MINIMUM GOLD AT CONTACT AND
2.54μm MINIMUM TIN AT SOLDERTAIL AREA OVER
1.27μm MINIMUM NICKEL UNDERPLATE OVERALL.

3. PRODUCT SPECIFICATION: PS-78213-001.

4. PACKAGING SPECIFICATION: PK-78218-001.

5. MATES WITH 78442-**** or 78353-****.

6. REFER SHEET 2 FOR RECOMMENDED PCB LAYOUT.

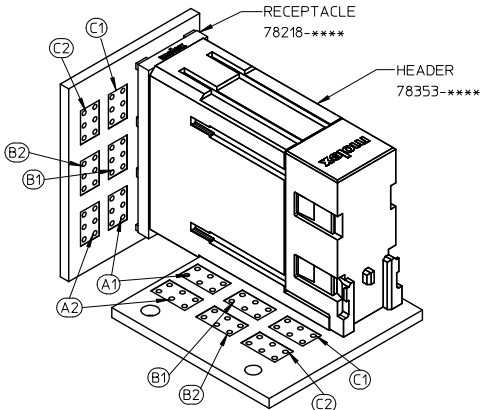
7. REFER TO PRODUCT SPECIFICATION PS-78213-001 FOR
PLATED THROUGH-HOLE SPECIFICATIONS.

8. PART NUMBER AND DATE CODE (YYDDD) APPROXIMATELY SHOWN.

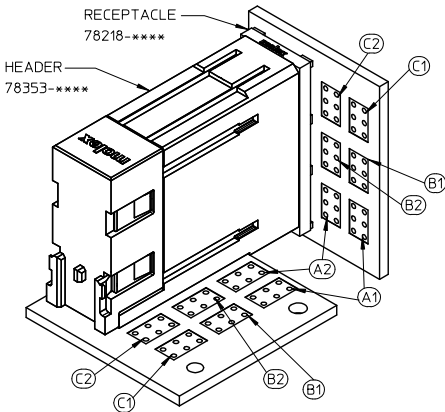
9. KEEP OUT ZONE FROM OTHER COMPONENTS.

| | | | | | | | | | | | |
|--|--|-------------------------------|--|----------------------|----------------------------|---------------------|---------------|------------------------|------------------------|---|---------------------|
| UPDATED PG 2 EC NO: S2014-0872 DRAWN: SHONG CHKD: CHOH APPR: SILLENI A4 | 2015/01/19 2015/04/07 2015/04/07 | QUALITY SYMBOLS ▽=0 ▽=0 | GENERAL TOLERANCES (UNLESS SPECIFIED) | | DIMENSION STYLE MM ONLY | | SCALE NTS | DESIGN UNITS METRIC | THIRD ANGLE PROJECTION | | |
| | | | 4 PLACES ± --- ± --- | 3 PLACES ± --- ± --- | 2 PLACES ± 0.25 ± --- | 1 PLACE ± --- ± --- | ANGULAR ± 3 ° | DRAWN BY ANG | DATE 2009/02/18 | TITLE IMPACT POWER, 6 PAIR VERTICAL RECEPTACLE PRESS-FIT | |
| | | | DRAFT WHERE APPLICABLE MUST REMAIN WITHIN DIMENSIONS | | SEE TABLE | | MATERIAL NO. | DATE 2009/02/23 | MOLEX | DOCUMENT NO. SD-78218-002 | SHEET NO. 1 OF 2 |
| | | | THIS DRAWING CONTAINS INFORMATION THAT IS PROPRIETARY TO MOLEX INCORPORATED AND SHOULD NOT BE USED WITHOUT WRITTEN PERMISSION | | | | | | | | |

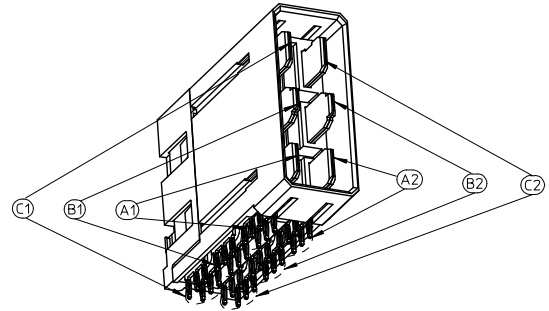
10 9 8 7 6 5 4 3 2 1



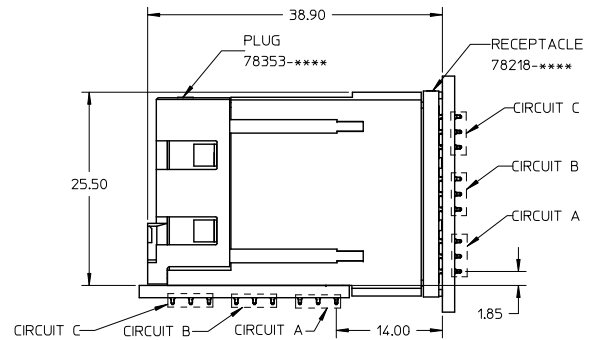
SERIES NUMBER 78353, LEFT HOLD DOWN:
1 POWER MODULE AND HOLD DOWN REMOVED TO
ILLUSTRATE CIRCUIT PATH OF MATED SYSTEM



SERIES NUMBER 78353, RIGHT HOLD DOWN:
1 POWER MODULE AND HOLD DOWN REMOVED TO
ILLUSTRATE CIRCUIT PATH OF MATED SYSTEM



PIN NUMBER ASSIGNMENT BASED ON HEADER SIDE:
A1, B1 ON THE LEFT
A2, B2 ON THE RIGHT



MATED SYSTEM OF 78218 & 78353

| | | | | | | | |
|--|--|---|--|---------------------|--------------|--|---|
| UPDATED PG 2 EC NO: S2014-0872 DRAWN: SHONG CHKD: CHCOH APPR: SHLENI 2015/01/19 2015/04/07 2015/04/07 | QUALITY SYMBOLS | GENERAL TOLERANCES (UNLESS SPECIFIED) | DIMENSION STYLE | SCALE | DESIGN UNITS | THIRD ANGLE PROJECTION | |
| | $\nabla = 0$ $\nabla = 0$ $\nabla = 0$ | mm INCH 4 PLACES ± --- ± --- 3 PLACES ± --- ± --- 2 PLACES ± 0.25 ± --- 1 PLACE ± --- ± --- 0 PLACE ± --- ± --- ANGULAR ± 3° | MM ONLY | NTS | METRIC | DRAWN BY DATE ANG 2009/02/18 CHECKED BY DATE LNG 2009/02/20 APPROVED BY DATE SHONG 2009/02/23 | TITLE IMPACT POWER, 6 PAIR VERTICAL RECEPTACLE PRESS-FIT |
| | DRAFT WHERE APPLICABLE MUST REMAIN WITHIN DIMENSIONS | MATERIAL NO. SEE TABLE | DOCUMENT NO. SD-78218-002 | SHEET NO. 2 OF 2 | | | |
| | REV A4 | SIZE A3 | THIS DRAWING CONTAINS INFORMATION THAT IS PROPRIETARY TO MOLEX INCORPORATED AND SHOULD NOT BE USED WITHOUT WRITTEN PERMISSION | | | | |

10 9 8 7 6 5 4 3 2 1