

Excellent Integrated System Limited

Stocking Distributor

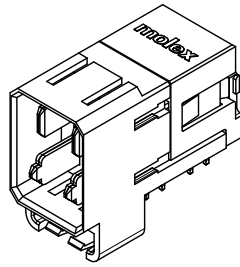
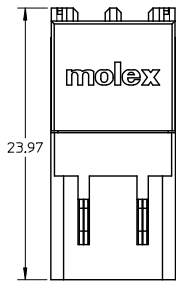
Click to view price, real time Inventory, Delivery & Lifecycle Information:

[Molex Connector Corporation](#)
[0786981044](#)

For any questions, you can email us directly:

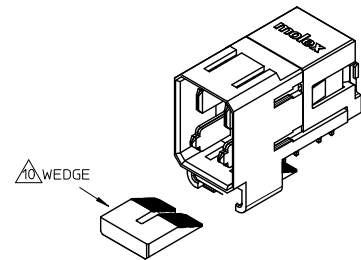
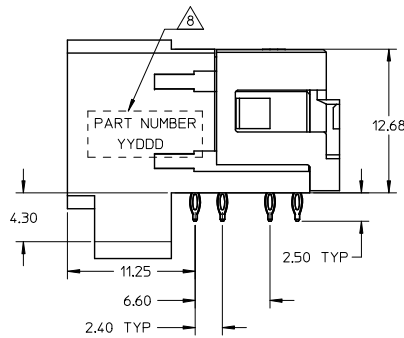
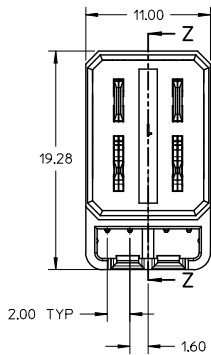
sales@integrated-circuit.com

10 9 8 7 6 5 4 3 2 1



NOTES:

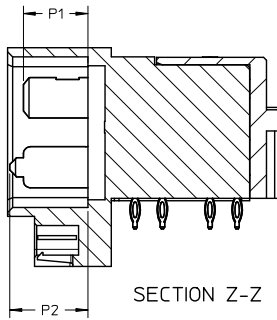
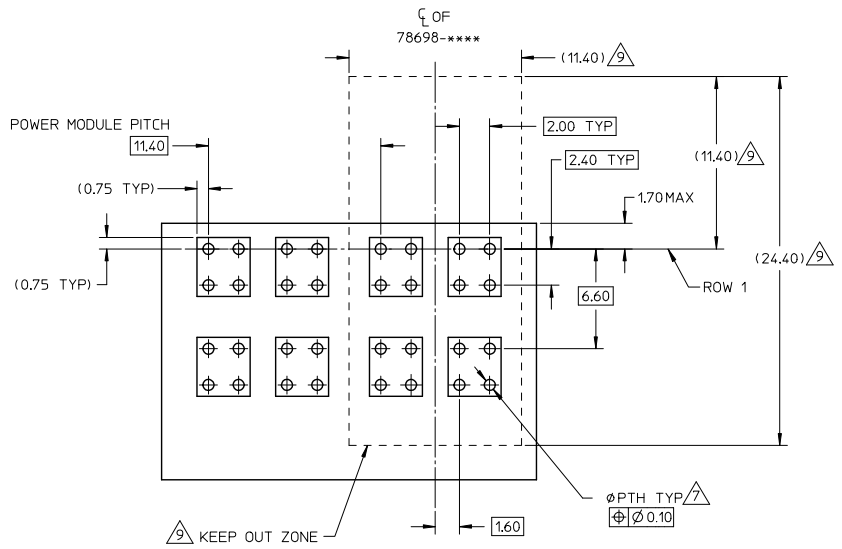
1. MATERIAL:
HOUSING - LCP, GLASS FILLED, UL94-V0, COLOR: BLACK
POWER PIN - COPPER ALLOY
2. FINISH OPTION:
TIN - 0.764μm MINIMUM GOLD AT CONTACT AND
2.54μm MINIMUM TIN AT SOLDER TAIL AREA OVER
1.27μm MINIMUM NICKEL UNDERPLATE OVERALL.
TIN-LEAD - 0.764μm MINIMUM GOLD AT CONTACT AND
2.54μm MINIMUM TIN-LEAD AT SOLDER TAIL AREA OVER
1.27μm MINIMUM NICKEL UNDERPLATE OVERALL.
3. PRODUCT SPECIFICATION: PS-78213-001.
4. PACKAGING SPECIFICATION: PK-78698-001.
5. MATES WITH 78247-**** & 78212-****.
6. REFER TO SHEET 3 FOR RECOMMENDED PCB LAYOUT.
7. REFER TO MOLEX PRODUCT SPECIFICATION PS-78213-001 FOR PLATED THROUGH-HOLE SPECIFICATIONS.
8. PART NUMBER AND DATE CODE (YYDD) APPROXIMATELY SHOWN.
9. KEEP OUT ZONE FROM OTHER COMPONENTS.
10. THIS CONNECTOR IS SHIPPED WITH A WEDGE. THE WEDGE SHALL BE INSERTED INTO THE BOTTOM OF CONNECTOR ONLY AFTER IT IS PRESS-FITTED ONTO PCB.



UPDATE PIN NO. PG3 EC NO. S2014-0340 DRAWN BY: DRW/HCCH CHKD: JESSIECHUA APPR: SHONG	QUALITY SYMBOLS DESCRIPTION REV	GENERAL TOLERANCES (UNLESS SPECIFIED)	DIMENSION STYLE		SCALE	DESIGN UNITS	THIRD ANGLE PROJECTION
			mm	INCH	NTS	METRIC	
		4 PLACES ± --- ± ---	DRAWN BY	DATE	TITLE		
		3 PLACES ± --- ± ---	CTCHO	2012/02/28	IMPACT POWER, 3 PAIR RIGHT ANGLE HEADER PRESS-FIT, W LOCK		
		2 PLACES ± 0.25 ± ---	CHECKED BY	DATE	DOCUMENT NO. SD-78698-001		
		1 PLACE ± --- ± ---	LNG	2012/02/28			
		0 PLACE ± --- ± ---	APPROVED BY	DATE	SHEET NO. 1 OF 3		
		ANGULAR ± 3 °	SHONG	2012/03/22	MATERIAL NO.		
		DRAFT WHERE APPLICABLE MUST REMAIN WITHIN DIMENSIONS	SEE TABLE		THIS DRAWING CONTAINS INFORMATION THAT IS PROPRIETARY TO MOLEX INCORPORATED AND SHOULD NOT BE USED WITHOUT WRITTEN PERMISSION		

9 8 7 6 5 4 3 2 1

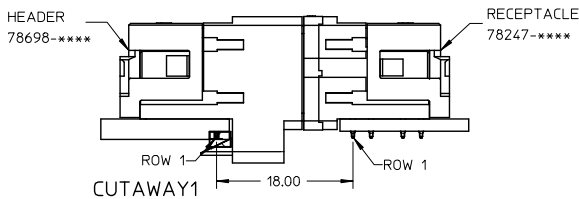
PART NUMBER	P1 (APPLIES TO B1 & B2)	P2 (APPLIES TO A1 & A2)	PLATING OPTIONS	PACKAGING
78698-1011	6.90	6.90	TIN PLATING	TRAY
78698-1022	5.70	5.70		
78698-1033	6.90	5.70		
78698-1044	5.70	6.90		



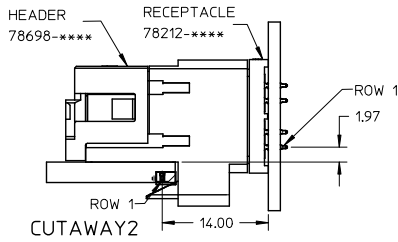
RECOMMENDED PCB LAYOUT
(COMPONENT SIDE SHOWN)
BOARD THICKNESS: FROM 2.75mm TO 3.75mm only

UPDATE PIN NO.: PG3 EC NO.: S7014-0340 DRAWN BY: JRM/HCCH CHKD: JESS/TECHUA APPR: SHONG	DESCRIPTION 2012/11/29 2013/07/04 2013/07/24	QUALITY SYMBOLS	GENERAL TOLERANCES (UNLESS SPECIFIED)	DIMENSION STYLE	SCALE	DESIGN UNITS	THIRD ANGLE PROJECTION																		
		$\nabla=0$ $\nabla=0$ $\nabla=0$	<table border="1"> <thead> <tr> <th></th> <th>mm</th> <th>INCH</th> </tr> </thead> <tbody> <tr> <td>4 PLACES</td> <td>±---</td> <td>±---</td> </tr> <tr> <td>3 PLACES</td> <td>±---</td> <td>±---</td> </tr> <tr> <td>2 PLACES</td> <td>±0.25</td> <td>±---</td> </tr> <tr> <td>1 PLACE</td> <td>±---</td> <td>±---</td> </tr> <tr> <td>0 PLACE</td> <td>±</td> <td>±</td> </tr> </tbody> </table>		mm	INCH	4 PLACES	±---	±---	3 PLACES	±---	±---	2 PLACES	±0.25	±---	1 PLACE	±---	±---	0 PLACE	±	±	MM ONLY	NTS	METRIC	
			mm	INCH																					
		4 PLACES	±---	±---																					
3 PLACES	±---	±---																							
2 PLACES	±0.25	±---																							
1 PLACE	±---	±---																							
0 PLACE	±	±																							
ANGULAR ± 3 ° DRAFT WHERE APPLICABLE MUST REMAIN WITHIN DIMENSIONS	DRAWN BY: CTCHO CHECKED BY: LNG APPROVED BY: SHONG	DATE: 2012/02/28 DATE: 2012/02/28 DATE: 2012/03/22	TITLE	IMPACT POWER, 3 PAIR RIGHT ANGLE HEADER PRESS-FIT, W LOCK		DOCUMENT NO.: SD-78698-001 SHEET NO.: 2 OF 3																			
B REV	SIZE: A3 THIS DRAWING CONTAINS INFORMATION THAT IS PROPRIETARY TO MOLEX INCORPORATED AND SHOULD NOT BE USED WITHOUT WRITTEN PERMISSION																								

10 9 8 7 6 5 4 3 2 1

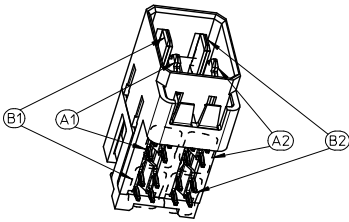


RIGHT ANGLE HEADER (78642) & RIGHT ANGLE RECEPTACLE (78247)

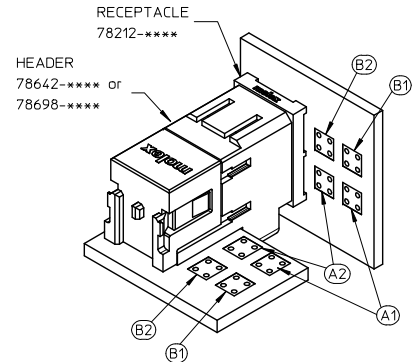
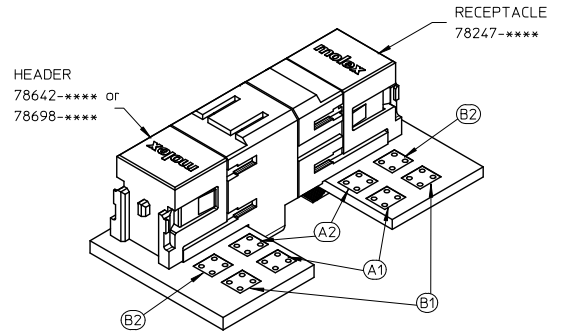


RIGHT ANGLE HEADER (78698) & VERTICAL RECEPTACLE (78212)

MATED SYSTEM OPTIONS WITH 78698



PIN NUMBER ASSIGNMENT BASED ON HEADER SIDE:
A1, B1 ON THE LEFT,
A2, B2 ON THE RIGHT.



CIRCUIT PATH OF MATED SYSTEM

UPDATE PIN NO.: PG3 EC NO.: S2014-0340 DRAWN BY: JESSIE CHUA 2013/10/04 CHKD: JESSIE CHUA 2013/10/04 APPR: SHONG 2013/10/24	DESCRIPTION REV B	QUALITY SYMBOLS	GENERAL TOLERANCES (UNLESS SPECIFIED)	DIMENSION STYLE MM ONLY	SCALE NTS	DESIGN UNITS METRIC	THIRD ANGLE PROJECTION																																			
		$\nabla=0$ $\nabla=0$ $\nabla=0$	<table border="1"> <tr><th></th><th>mm</th><th>INCH</th></tr> <tr><td>4 PLACES</td><td>±---</td><td>±---</td></tr> <tr><td>3 PLACES</td><td>±---</td><td>±---</td></tr> <tr><td>2 PLACES</td><td>±0.25</td><td>±---</td></tr> <tr><td>1 PLACE</td><td>±---</td><td>±---</td></tr> <tr><td>0 PLACE</td><td>±</td><td>±</td></tr> </table>		mm	INCH	4 PLACES	±---	±---	3 PLACES	±---	±---	2 PLACES	±0.25	±---	1 PLACE	±---	±---	0 PLACE	±	±	<table border="1"> <tr><th></th><th>DATE</th><th>TITLE</th></tr> <tr><td>DRAWN BY</td><td>2012/02/28</td><td>IMPACT POWER, 3 PAIR</td></tr> <tr><td>CHECKED BY</td><td>DATE</td><td>RIGHT ANGLE HEADER</td></tr> <tr><td>LNG</td><td>2012/02/28</td><td>PRESS-FIT, W LOCK</td></tr> <tr><td>APPROVED BY</td><td>DATE</td><td></td></tr> <tr><td>SHONG</td><td>2012/03/22</td><td></td></tr> </table>		DATE	TITLE	DRAWN BY	2012/02/28	IMPACT POWER, 3 PAIR	CHECKED BY	DATE	RIGHT ANGLE HEADER	LNG	2012/02/28	PRESS-FIT, W LOCK	APPROVED BY	DATE		SHONG	2012/03/22			
	mm	INCH																																								
4 PLACES	±---	±---																																								
3 PLACES	±---	±---																																								
2 PLACES	±0.25	±---																																								
1 PLACE	±---	±---																																								
0 PLACE	±	±																																								
	DATE	TITLE																																								
DRAWN BY	2012/02/28	IMPACT POWER, 3 PAIR																																								
CHECKED BY	DATE	RIGHT ANGLE HEADER																																								
LNG	2012/02/28	PRESS-FIT, W LOCK																																								
APPROVED BY	DATE																																									
SHONG	2012/03/22																																									
		ANGULAR ± 3°	DRAFT WHERE APPLICABLE MUST REMAIN WITHIN DIMENSIONS	MATERIAL NO. SEE TABLE	DOCUMENT NO. SD-78698-001	SHEET NO. 3 OF 3																																				
				THIS DRAWING CONTAINS INFORMATION THAT IS PROPRIETARY TO MOLEX INCORPORATED AND SHOULD NOT BE USED WITHOUT WRITTEN PERMISSION																																						

10 9 8 7 6 5 4 3 2 1