

Excellent Integrated System Limited

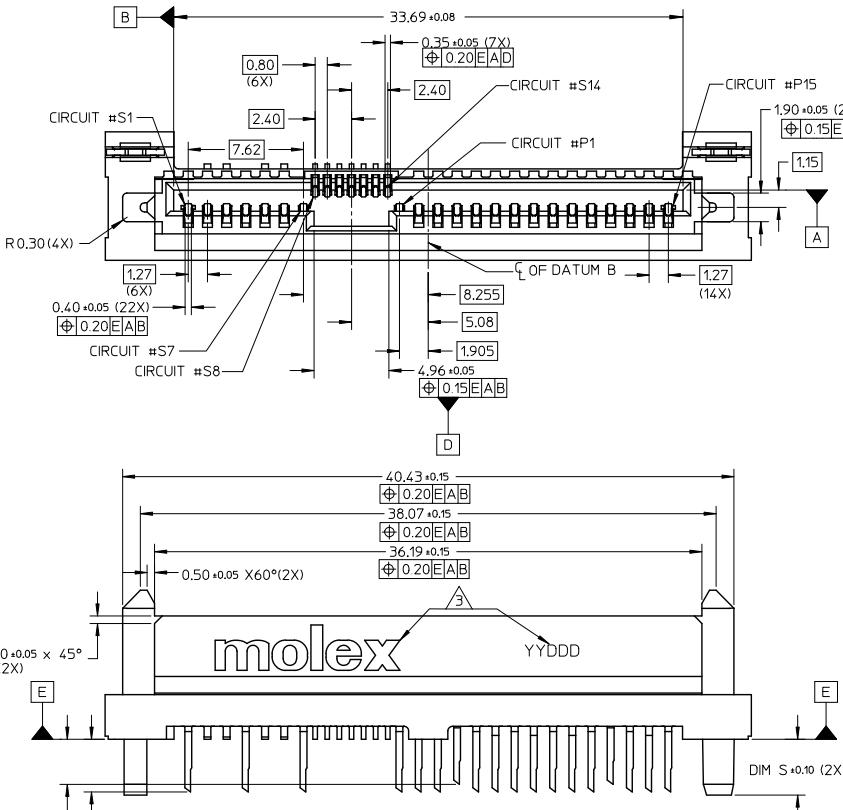
Stocking Distributor

Click to view price, real time Inventory, Delivery & Lifecycle Information:

[Molex Connector Corporation](#)
[0878390018](#)

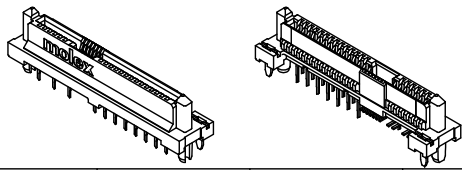
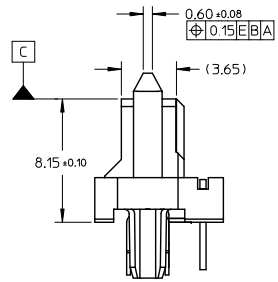
For any questions, you can email us directly:
sales@integrated-circuit.com

10 9 8 7 6 5 4 3 2 1



NOTES:

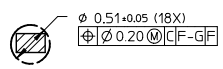
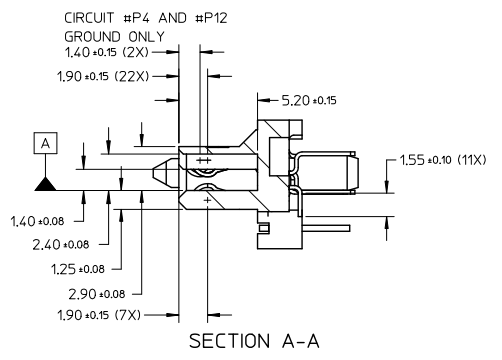
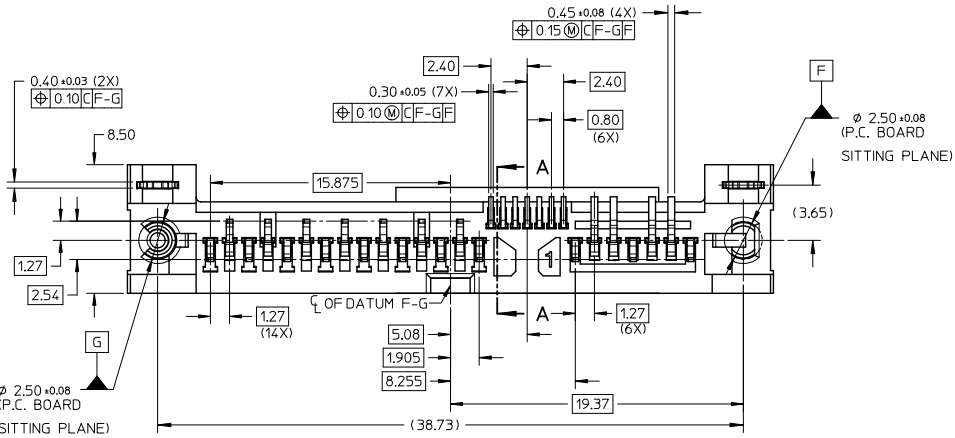
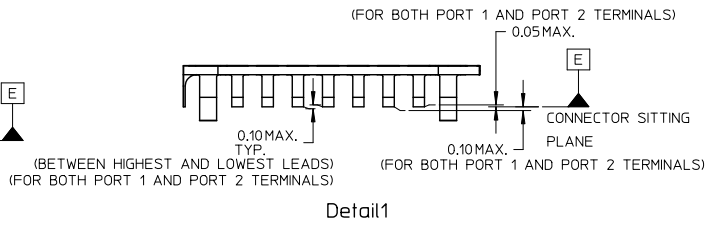
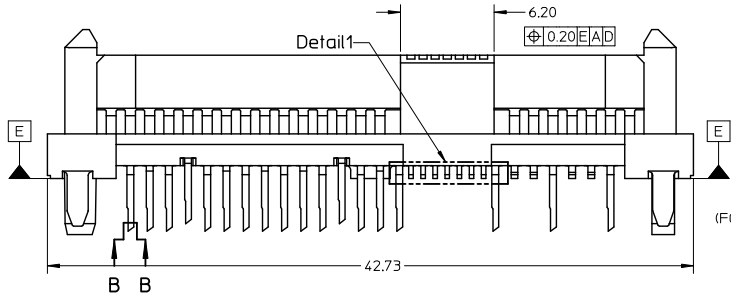
- MATERIAL: LIQUID CRYSTALLINE POLYMER (LCP), GLASS FILLED.
UL 94V-0, COLOR: BLACK
- TERMINAL: COPPER ALLOY
- PLATING:
CONTACT: 0.76µm MIN. SELECTIVE GOLD OVER 1.27µm MIN. NICKEL UNDERPLATE.
SOLDERTAIL: 2.54µm MIN. TIN OVER 1.27µm MIN. NICKEL UNDERPLATE.
- MOLEX LOGO AND DATE CODE LOCATED APPROXIMATELY AS SHOWN.
- PACKAGING: SEE TABLE
- PRODUCT IS COMPLIANT TO RoHS DIRECTIVE WITH THE FOLLOWING BANNED SUBSTANCES - LEAD, MERCURY, CADMIUM, HEXAVALENT CHROMIUM, POLYBROMINATED BIPHENYLS AND POLYBROMINATED DIPHENYL ETHERS.
- PRODUCT SPECIFICATION PS-87839-041 APPLIES.
- MATES WITH: SFF-8482 PLUG
SATA PLUG SERIES: 87679, 87703, 87799



STANDARDISED TRAY IEC NO. S2012-0424 DRAWN BY: CHYD-SKANG CHECKED BY: CHYD-SKANG APPROVED BY: CHYD-SKANG DATE: 2011/11/27 DATE: 2011/12/01 DATE: 2011/12/01	QUALITY SYMBOLS ▽=0 ▽=0	GENERAL TOLERANCES (UNLESS SPECIFIED)		DIMENSION STYLE MM ONLY		SCALE NTS	DESIGN UNITS METRIC	THIRD ANGLE PROJECTION
		4 PLACES ± --- ± --- 3 PLACES ± --- ± --- 2 PLACES ± 0.20 ± --- 1 PLACE ± --- ± ---	mm INCH	DRAWN BY: DKOH DATE: 2004/11/23	TITLE: SERIAL ATTACH SCSI RECEPTACLE, HYBRID STANDARD HEIGHT			
		ANGULAR ± 3 °	DRAFT WHERE APPLICABLE MUST REMAIN WITHIN DIMENSIONS	CHECKED BY: KCLING DATE: 2004/12/01	APPROVED BY: SKTOH DATE: 2004/12/01			
		MATERIAL NO. SEE TABLE	DIMENSIONAL STYLE: SEE TABLE	MOLEX INCORPORATED	DOCUMENT NO. SD-87839-040			
		SHEET NO. 1 OF 4		THIS DRAWING CONTAINS INFORMATION THAT IS PROPRIETARY TO MOLEX INCORPORATED AND SHOULD NOT BE USED WITHOUT WRITTEN PERMISSION				

9 8 7 6 5 4 3 2 1

10 9 8 7 6 5 4 3 2 1



SECTION B-B

STANDARDISED TRAY	EC NO: S2012-0424	2011/11/22
DRAWN/ISSUE	CHKD:SKANG	2011/12/01
APPR:XLONG		2011/12/01
REV	DESCRIPTION	
A7		

QUALITY SYMBOLS	▽=0
	▽=0

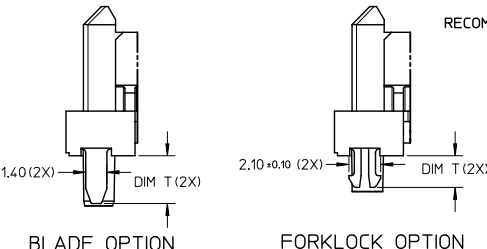
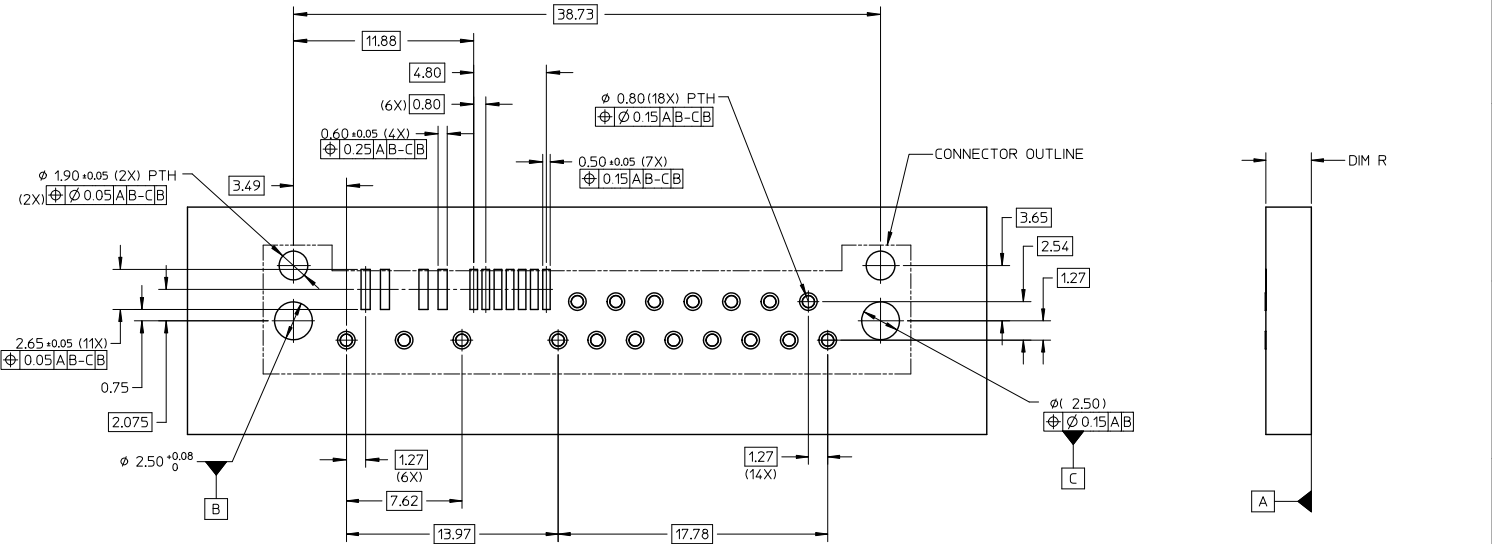
GENERAL TOLERANCES (UNLESS SPECIFIED)	
	mm
4 PLACES	± 0.15
3 PLACES	± 0.20
2 PLACES	± 0.25
1 PLACE	± 0.30
ANGULAR ± 3°	
DRAFT WHERE APPLICABLE MUST REMAIN WITHIN DIMENSIONS	

DIMENSION STYLE	
MM ONLY	
DRAWN BY	DATE
DKOH	2004/11/23
CHECKED BY	DATE
KCLING	2004/12/01
APPROVED BY	DATE
SKTOH	2004/12/01
MATERIAL NO.	SEE TABLE
SIZE	A3

SCALE	NTS	DESIGN UNITS	METRIC	THIRD ANGLE PROJECTION
TITLE				
SERIAL ATTACH SCSI RECEPTACLE, HYBRID STANDARD HEIGHT				
MOLEX INCORPORATED				
DOCUMENT NO.				SHEET NO.
SD-87839-040				2 OF 4
THIS DRAWING CONTAINS INFORMATION THAT IS PROPRIETARY TO MOLEX INCORPORATED AND SHOULD NOT BE USED WITHOUT WRITTEN PERMISSION				

9 8 7 6 5 4 3 2 1

10	9	8	7	6	5	4	3	2	1
PART NO	PACKAGING	QUANTITY	HOLD DOWN	PICK AND PLACE CAP	DIM P (16X) (PORT 1 AND POWER PORT) (EXCLUDING P4 AND P12)	DIM Q (2X) (PORT P4 AND P12)	DIM R PCB THICKNESS	DIM S (2X) PEG HEIGHT	DIM T (2X) BLADE/FORKLOCK HEIGHT
87839-0011	TRAY	50/TRAY	BLADE	YES	3.49±0.15	2.99±0.15	3.00±0.10	3.70±0.10	3.12
87839-0019	TRAY	50/TRAY	BLADE	NO	3.49±0.15	2.99±0.15	3.00±0.10	3.70±0.10	3.12
87839-0017	TAPE AND REEL	350/REEL	BLADE	YES	3.49±0.15	2.99±0.15	3.00±0.10	3.70±0.10	3.12
87839-0018	TAPE AND REEL	350/REEL	BLADE	YES	2.36±0.15	2.36±0.15	2.36±0.10	2.00±0.10	2.36
87839-0039	TAPE AND REEL	350/REEL	FORKLOCK	YES	2.11±0.15	2.11±0.15	2.36±0.10	2.00±0.10	2.06

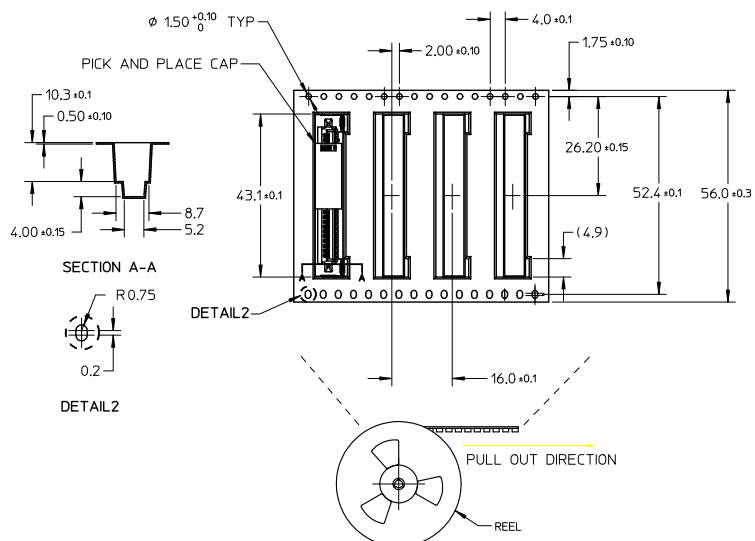


RECOMMENDED PCB LAYOUT
RECOMMENDED PCB THICKNESS DIM R±0.10

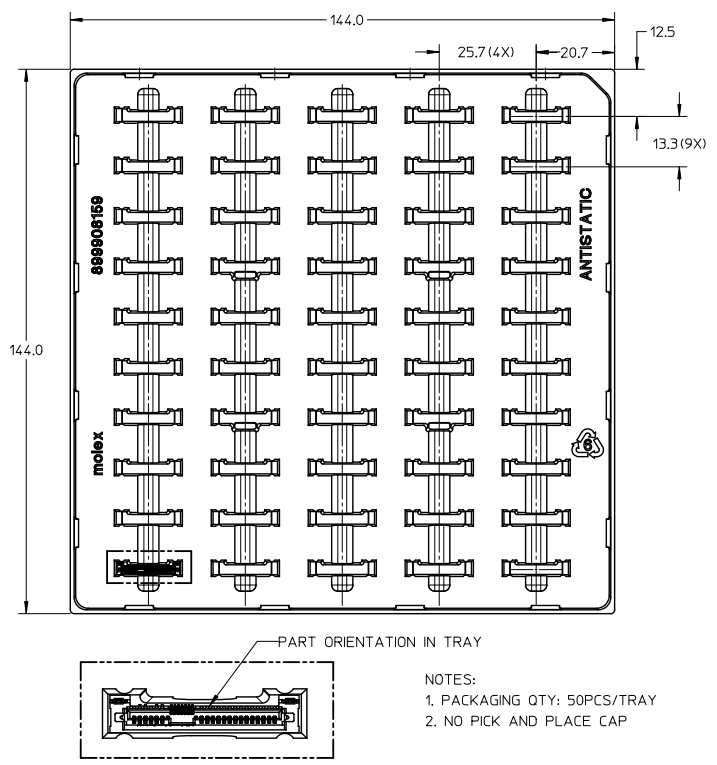
STANDARDISED TRAY EC NO: S2012-0424 DRAWN BY: 2011/11/27 CHKD: SKANG APPR: HLONG 2011/12/01 2011/12/01	QUALITY SYMBOLS ▽=0 ▽=0	GENERAL TOLERANCES (UNLESS SPECIFIED)		DIMENSION STYLE MM ONLY		SCALE NTS	DESIGN UNITS METRIC	THIRD ANGLE PROJECTION
		4 PLACES ± --- ± ---	mm	INCH	DRAWN BY: DKOH	DATE: 2004/11/23	TITLE SERIAL ATTACH SCSI RECEPTACLE, HYBRID STANDARD HEIGHT	
		3 PLACES ± --- ± ---			CHECKED BY: KCLING	DATE: 2004/12/01		
		2 PLACES ± 0.20 ± ---			APPROVED BY: SKTOH	DATE: 2004/12/01		
1 PLACE ± --- ± ---			MATERIAL NO. SEE TABLE		DOCUMENT NO. SD-87839-040	SHEET NO. 3 OF 4		
DRAFT WHERE APPLICABLE MUST REMAIN WITHIN DIMENSIONS		ANGULAR ± 3°		THIS DRAWING CONTAINS INFORMATION THAT IS PROPRIETARY TO MOLEX INCORPORATED AND SHOULD NOT BE USED WITHOUT WRITTEN PERMISSION				

10 9 8 7 6 5 4 3 2 1

TAPE AND REEL PACKAGING



TRAY PACKAGING



- NOTES:**
- LEADER AND TRAILER TAPE
 - PEELING OFF FORCE OF THE TOP TAPE: 80gf MAX.
 (PEELING DIRECTION AS SHOWN IN FOLLOWING FIGURE)
 - PACKAGING QTY IS: 350 PCS/REEL
 - PACKAGING STANDARD IS AS PER EIA-481.
 - CONNECTOR COMES WITH PICK AND PLACE CAP.

STANDARDISED TRAY EC NO: S2012-0424 DRAWN BY: DRWNAISEE CHKD: SKANG APPR: RILONG DATE: 2011/11/22 DATE: 2011/12/01 DATE: 2011/12/01	QUALITY SYMBOLS ▽=0 ▽=0	GENERAL TOLERANCES (UNLESS SPECIFIED)		DIMENSION STYLE MM ONLY		SCALE NTS	DESIGN UNITS METRIC	THIRD ANGLE PROJECTION	
		4 PLACES ± --- ± ---	mm	INCH	DRAWN BY	DATE	TITLE		
		3 PLACES ± --- ± ---	± 0.20	± ---	CHECKED BY	DATE	SERIAL ATTACH SCSI RECEPTACLE, HYBRID STANDARD HEIGHT		
		2 PLACES ± 0.20 ± ---	± ---	± ---	KCL ING	DATE	MOLEX INCORPORATED		
1 PLACE ± --- ± ---	ANGULAR ± 3°	± ---	APPROVED BY	DATE	MATERIAL NO.	DOCUMENT NO.	SHEET NO.		
DRAFT WHERE APPLICABLE MUST REMAIN WITHIN DIMENSIONS		SEE TABLE		SD-87839-040		4 OF 4			
THIS DRAWING CONTAINS INFORMATION THAT IS PROPRIETARY TO MOLEX INCORPORATED AND SHOULD NOT BE USED WITHOUT WRITTEN PERMISSION									

9 8 7 6 5 4 3 2 1