

## Excellent Integrated System Limited

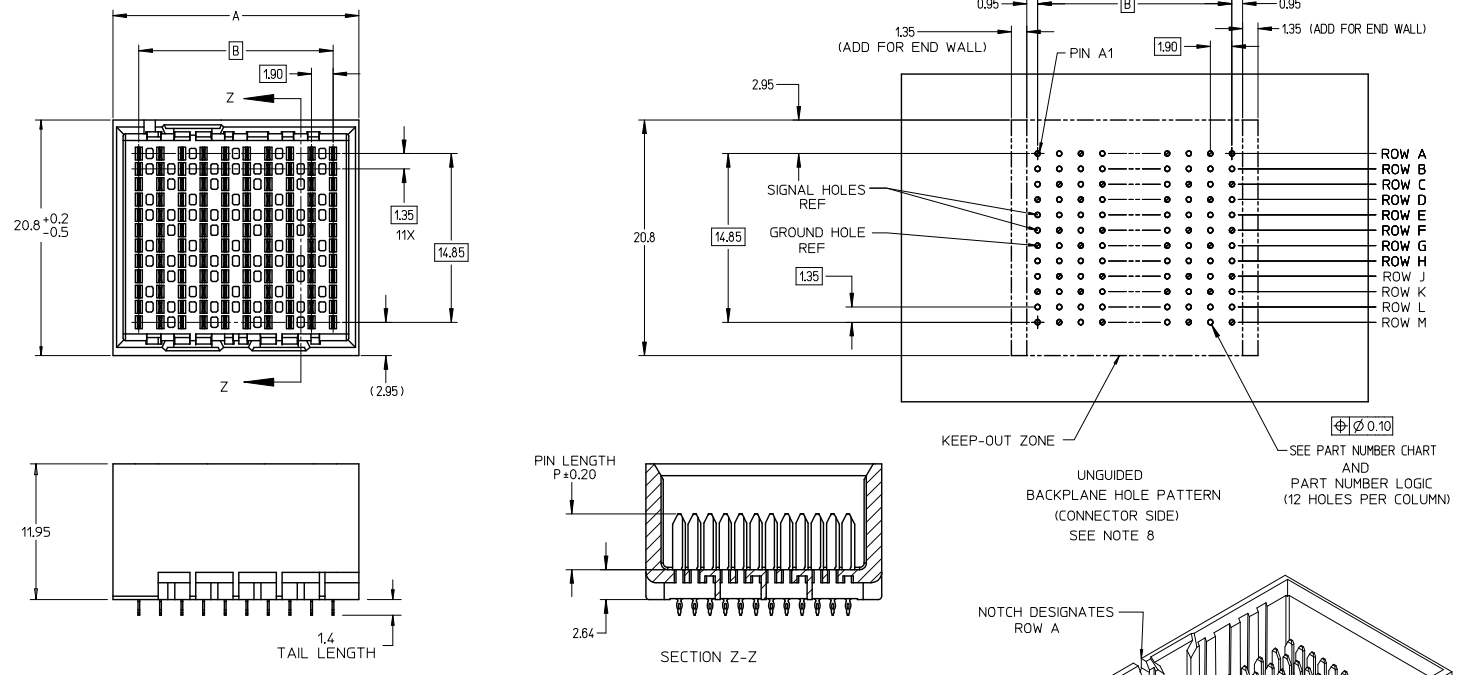
Stocking Distributor

Click to view price, real time Inventory, Delivery & Lifecycle Information:

[Molex Connector Corporation](#)  
[1703351208](#)

For any questions, you can email us directly:

[sales@integrated-circuit.com](mailto:sales@integrated-circuit.com)

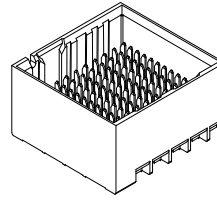


- NOTES:
1. MATERIALS: HOUSING - LIQUID CRYSTAL POLYMER (LCP)  
GLASS-FILLED, UL94V-0  
TERMINALS - HIGH PERFORMANCE COPPER ALLOY
  2. FINISH: 30# INCH MIN GOLD IN CONTACT AREA.  
SELECTIVE MATTE TIN ON PCB TAILS, NICKEL OVERALL.
  3. REFER TO MOLEX PRODUCT SPECIFICATION PS-170540-999  
FOR PERFORMANCE SPECIFICATIONS AND ADDITIONAL PCB INFORMATION.
  4. THIS PART CONFORMS TO CLASS B REQUIREMENTS OF MOLEX  
COSMETIC SPEC PS-45499-002.
  5. PARTS PACKAGED PER PK-70873-7701.
  6. SEE SHEETS 2 & 3 FOR PART NUMBERS AND BOARD RELATIONSHIPS.
  7. REFER TO MOLEX PCB ROUTING GUIDE AS-76060-990 FOR ANTI PAD AND  
ROUTING RECOMMENDATIONS.
  8. \*THESE DIMENSIONS REPRESENT THE AREA NEEDED TO ACCOMMODATE CONNECTOR  
INSERTION AND REPAIR ON THE PC BOARD. THIS IS REFERRED TO AS THE  
'CONNECTOR KEEP OUT ZONE' AND DOES NOT REPRESENT THE ACTUAL PERIMETER  
OF THE CONNECTOR. WHEN LAYING OUT A PC BOARD FOR CONNECTORS STACKED  
TOGETHER, USE A 1.9mm PROGRESSION.\*
  9. MINIMUM CIRCUIT BOARD THICKNESS: 1.0mm

REV. DIM A ON CHART FOR OPEN WALL OPT. ON SHT.2 I.D. NO. UCP-2015-4948 DRAWN: WANGUI 2010/05/14 CHKD: MOUPE 2010/05/14 APPR: MILLER 2010/05/20 DESCRIPTION:	QUALITY SYMBOLS	GENERAL TOLERANCES (UNLESS SPECIFIED)	DIMENSION STYLE	SCALE	DESIGN UNITS	THIRD ANGLE PROJECTION	
	▽=0	mm INCH	MM ONLY	4:1	METRIC	⊙	
	▽=0	4 PLACES ± --- ± ---	DRAWN BY	DATE	TITLE		
	▽=0	3 PLACES ± --- ± ---	JB INGHAM	2010/05/11	IMPACT 4-PAIR 85-OHM UNGUIDED BACKPLANE SALES ASSEMBLY DRAWING		
	2 PLACES ± 0.13 ± ---	CHECKED BY	DATE				
	1 PLACE ± 0.25 ± ---	JLAURX	2010/05/11				
	0 PLACE ± --- ± ---	APPROVED BY	DATE				
	ANGULAR ± 1/2°	JLAURX	2012/11/16				
	DRAFT WHERE APPLICABLE MUST REMAIN WITHIN DIMENSIONS	MATERIAL NO.	DOCUMENT NO.				
		SEE CHART	SD-170335-0001				
		THIS DRAWING CONTAINS INFORMATION THAT IS PROPRIETARY TO MOLEX INCORPORATED AND SHOULD NOT BE USED WITHOUT WRITTEN PERMISSION					
						SHEET NO. 1 OF 3	

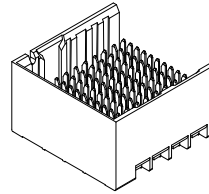
PART NUMBER CHART

MATERIAL NUMBER	# OF COLUMNS	# OF DIFF PAIR	DIM 'A'	DIM 'B'	DUAL END WALL OPTION
170335-132*	6	24	14.1	9.50	
170335-182*	8	32	17.9	13.30	
170335-112*	10	40	21.7	17.10	
170335-122*	12	48	25.5	20.90	
170335-142*	14	56	29.3	24.70	
170335-162*	16	64	33.1	28.50	



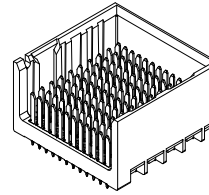
DUAL END WALL OPTION

MATERIAL NUMBER	# OF COLUMNS	# OF DIFF PAIR	DIM 'A'	DIM 'B'	LEFT END WALL OPTION
170335-131*	6	24	12.7	9.50	
170335-181*	8	32	16.5	13.30	
170335-111*	10	40	20.3	17.10	
170335-121*	12	48	24.1	20.90	
170335-141*	14	56	27.9	24.70	
170335-161*	16	64	31.7	28.50	



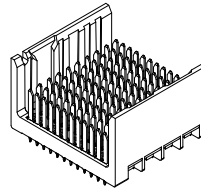
LEFT END WALL OPTION

MATERIAL NUMBER	# OF COLUMNS	# OF DIFF PAIR	DIM 'A'	DIM 'B'	RIGHT END WALL OPTION
170335-133*	6	24	12.7	9.50	
170335-183*	8	32	16.5	13.30	
170335-113*	10	40	20.3	17.10	
170335-123*	12	48	24.1	20.90	
170335-143*	14	56	27.9	24.70	
170335-163*	16	64	31.7	28.50	



RIGHT END WALL OPTION

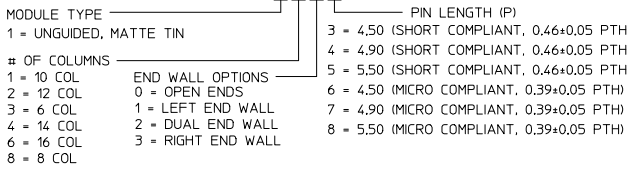
MATERIAL NUMBER	# OF COLUMNS	# OF DIFF PAIR	DIM 'A'	DIM 'B'	OPEN WALL OPTION
170335-130*	6	24	11.3	9.50	
170335-180*	8	32	15.1	13.30	
170335-110*	10	40	18.9	17.10	
170335-120*	12	48	22.7	20.90	
170335-140*	14	56	26.5	24.70	
170335-160*	16	64	30.3	28.50	



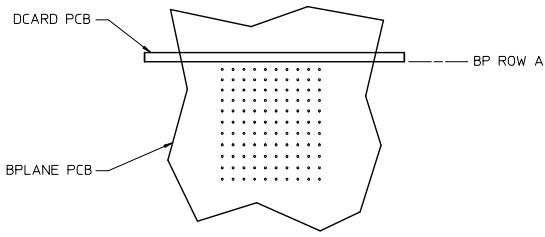
OPEN WALL OPTION

PART NUMBER LOGIC

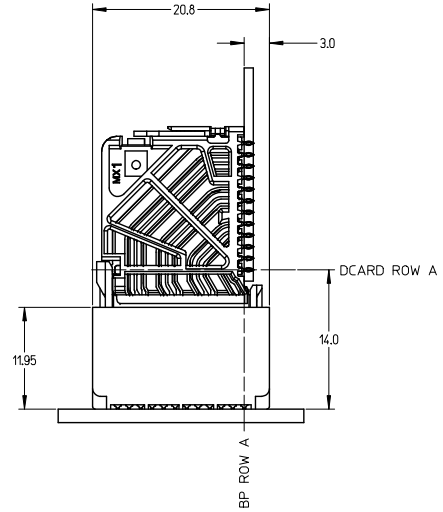
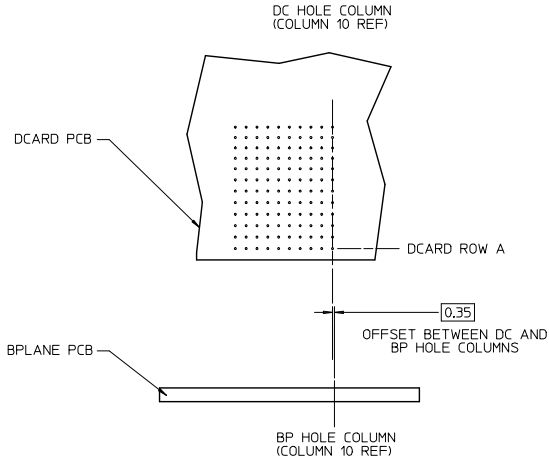
170335-\*\*\*\*



SEE SHEET 1 IEC NO: UCP2013-4948 2013/05/14 DRINKSWANGI CHKRMOLPE APPROVSMILLER 2013/05/20	QUALITY SYMBOLS 	GENERAL TOLERANCES (UNLESS SPECIFIED)		DIMENSION STYLE MM ONLY		SCALE 1:1	DESIGN UNITS METRIC	THIRD ANGLE PROJECTION	
		4 PLACES ± --- ± --- 3 PLACES ± --- ± --- 2 PLACES ± 0.13 ± --- 1 PLACE ± 0.25 ± --- 0 PLACE ± --- ± ---	mm      INCH	DRAWN BY JB INGHAM	DATE 2010/05/11	TITLE IMPACT 4-PAIR 85-OHM UNGUIDED BACKPLANE SALES ASSEMBLY DRAWING			
		ANGULAR ±1/2°		CHECKED BY JLAURX	DATE 2010/05/11	APPROVED BY JLAURX      DATE 2012/11/16			
		DRAFT WHERE APPLICABLE MUST REMAIN WITHIN DIMENSIONS		MATERIAL NO. SEE CHART	DOCUMENT NO. SD-170335-0001	SHEET NO. 2 OF 3		molex	



IMPACT 4 PAIR  
BOARD RELATIONSHIPS



SEE SHEET 1 EC NO: UCP2013-4948 DRWNSWANG01 2013/05/14 CHKRMOLPE 2013/05/14 APPRSKILLER 2013/05/20	QUALITY SYMBOLS ∇=0 ∇=0 ∇=0	GENERAL TOLERANCES (UNLESS SPECIFIED)		DIMENSION STYLE		SCALE	DESIGN UNITS	THIRD ANGLE PROJECTION		
				MM ONLY		3:1	METRIC			
		4 PLACES	±	---	---	DRAWN BY	DATE	TITLE IMPACT 4-PAIR 85-OHM UNGUIDED BACKPLANE SALES ASSEMBLY DRAWING <b>molex</b>		
		3 PLACES	±	---	---	JB INGHAM	2010/05/11			
2 PLACES	±	0.13	---	CHECKED BY	DATE	MATERIAL NO. SEE CHART SD-170335-0001 SHEET NO. 3 OF 3				
1 PLACE	±	0.25	---	JLAURX	2010/05/11					
0 PLACE	±	---	---	APPROVED BY	DATE	DOCUMENT NO. SD-170335-0001 THIS DRAWING CONTAINS INFORMATION THAT IS PROPRIETARY TO MOLEX INCORPORATED AND SHOULD NOT BE USED WITHOUT WRITTEN PERMISSION				
	±	---	---	JLAURX	2012/11/16					