

Excellent Integrated System Limited

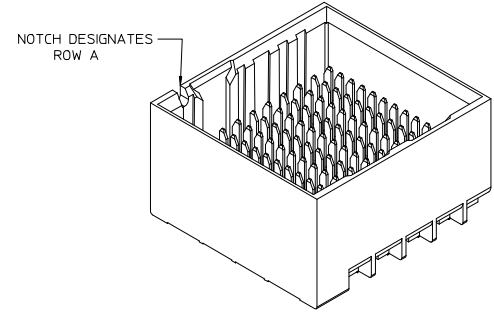
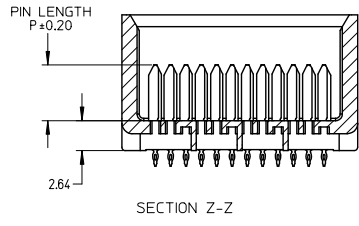
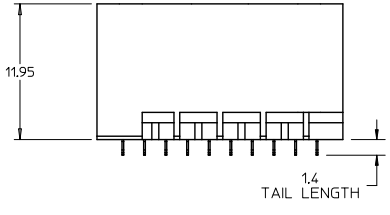
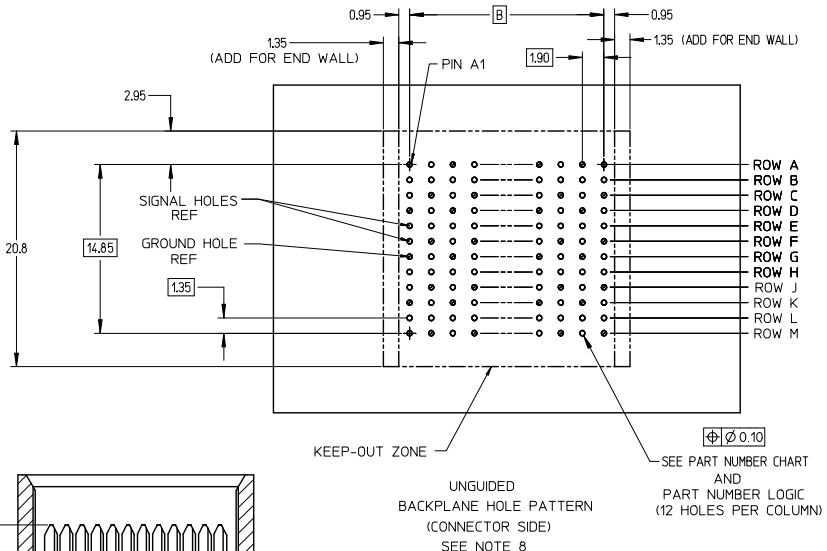
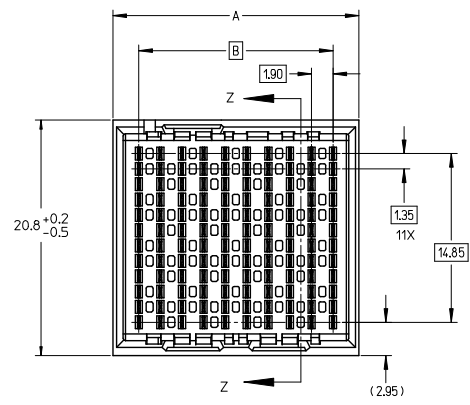
Stocking Distributor

Click to view price, real time Inventory, Delivery & Lifecycle Information:

[Molex Connector Corporation](#)
[1703351604](#)

For any questions, you can email us directly:

sales@integrated-circuit.com

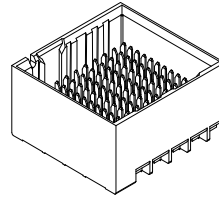


- NOTES:
1. MATERIALS: HOUSING - LIQUID CRYSTAL POLYMER (LCP)
GLASS-FILLED, UL94V-0
TERMINALS - HIGH PERFORMANCE COPPER ALLOY
 2. FINISH: 30# INCH MIN GOLD IN CONTACT AREA.
SELECTIVE MATTE TIN ON PCB TAILS, NICKEL OVERALL.
 3. REFER TO MOLEX PRODUCT SPECIFICATION PS-170540-999 FOR PERFORMANCE SPECIFICATIONS AND ADDITIONAL PCB INFORMATION.
 4. THIS PART CONFORMS TO CLASS B REQUIREMENTS OF MOLEX COSMETIC SPEC PS-45499-002.
 5. PARTS PACKAGED PER PK-70873-7701.
 6. SEE SHEETS 2 & 3 FOR PART NUMBERS AND BOARD RELATIONSHIPS.
 7. REFER TO MOLEX PCB ROUTING GUIDE AS-76060-990 FOR ANTI PAD AND ROUTING RECOMMENDATIONS.
 8. *THESE DIMENSIONS REPRESENT THE AREA NEEDED TO ACCOMMODATE CONNECTOR INSERTION AND REPAIR ON THE PC BOARD. THIS IS REFERRED TO AS THE 'CONNECTOR KEEP OUT ZONE' AND DOES NOT REPRESENT THE ACTUAL PERIMETER OF THE CONNECTOR. WHEN LAYING OUT A PC BOARD FOR CONNECTORS STACKED TOGETHER, USE A 1.9mm PROGRESSION.*
 9. MINIMUM CIRCUIT BOARD THICKNESS: 1.0mm

| | | | | | | | | |
|---|--------------------------------------|---|----------------------------|------|--------------|------------------------|------------------------|---|
| REV. DIM A ON CHART FOR OPEN WALL OPT. ON SHT.2 REV. NO. UCP-2015-4948 DRAWN BY: J.B. INGHAM CHECKED BY: J. LAURX APPROVED BY: J. LAURX DATE: 2010/05/11 DATE: 2010/05/11 DATE: 2012/11/16 | QUALITY SYMBOLS ▽=0 ▽=0 ▽=0 | GENERAL TOLERANCES (UNLESS SPECIFIED) | DIMENSION STYLE MM ONLY | | SCALE 4:1 | DESIGN UNITS METRIC | THIRD ANGLE PROJECTION | TITLE IMPACT 4-PAIR 85-OHM UNGUIDED BACKPLANE SALES ASSEMBLY DRAWING |
| | | | mm | INCH | | | | |
| | | 4 PLACES ±--- | ±--- | | | | | DRAWN BY: J.B. INGHAM DATE: 2010/05/11 |
| | | 3 PLACES ±--- | ±--- | | | | | |
| | | 2 PLACES ±0.13 | ±--- | | | | | APPROVED BY: J. LAURX DATE: 2012/11/16 |
| | | 1 PLACE ±0.25 | ±--- | | | | | |
| | | 0 PLACE ±--- | ±--- | | | | | |
| | | ANGULAR ±1/2° | | | | | | |
| | | DRAFT WHERE APPLICABLE MUST REMAIN WITHIN DIMENSIONS | | | | | | |
| | | SEE CHART | | | | | | |
| | | THIS DRAWING CONTAINS INFORMATION THAT IS PROPRIETARY TO MOLEX INCORPORATED AND SHOULD NOT BE USED WITHOUT WRITTEN PERMISSION | | | | | | |
| | | | | | | | | MATERIAL NO. DOCUMENT NO. SHEET NO. SD-170335-0001 1 OF 3 |

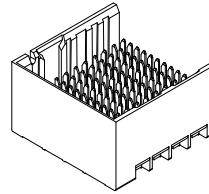
PART NUMBER CHART

| MATERIAL NUMBER | # OF COLUMNS | # OF DIFF PAIR | DIM 'A' | DIM 'B' | DUAL END WALL OPTION |
|-----------------|--------------|----------------|---------|---------|----------------------------|
| 170335-132* | 6 | 24 | 14.1 | 9.50 | |
| 170335-182* | 8 | 32 | 17.9 | 13.30 | |
| 170335-112* | 10 | 40 | 21.7 | 17.10 | |
| 170335-122* | 12 | 48 | 25.5 | 20.90 | |
| 170335-142* | 14 | 56 | 29.3 | 24.70 | |
| 170335-162* | 16 | 64 | 33.1 | 28.50 | |



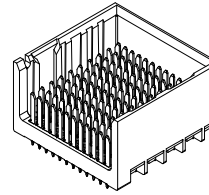
DUAL END
WALL OPTION

| MATERIAL NUMBER | # OF COLUMNS | # OF DIFF PAIR | DIM 'A' | DIM 'B' | LEFT END WALL OPTION |
|-----------------|--------------|----------------|---------|---------|----------------------------|
| 170335-131* | 6 | 24 | 12.7 | 9.50 | |
| 170335-181* | 8 | 32 | 16.5 | 13.30 | |
| 170335-111* | 10 | 40 | 20.3 | 17.10 | |
| 170335-121* | 12 | 48 | 24.1 | 20.90 | |
| 170335-141* | 14 | 56 | 27.9 | 24.70 | |
| 170335-161* | 16 | 64 | 31.7 | 28.50 | |



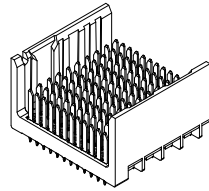
LEFT END
WALL OPTION

| MATERIAL NUMBER | # OF COLUMNS | # OF DIFF PAIR | DIM 'A' | DIM 'B' | RIGHT END WALL OPTION |
|-----------------|--------------|----------------|---------|---------|-----------------------------|
| 170335-133* | 6 | 24 | 12.7 | 9.50 | |
| 170335-183* | 8 | 32 | 16.5 | 13.30 | |
| 170335-113* | 10 | 40 | 20.3 | 17.10 | |
| 170335-123* | 12 | 48 | 24.1 | 20.90 | |
| 170335-143* | 14 | 56 | 27.9 | 24.70 | |
| 170335-163* | 16 | 64 | 31.7 | 28.50 | |



RIGHT END
WALL OPTION

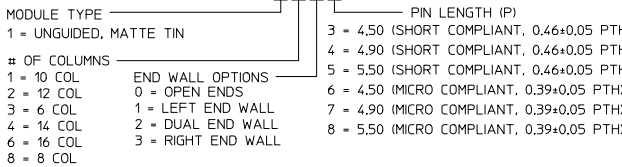
| MATERIAL NUMBER | # OF COLUMNS | # OF DIFF PAIR | DIM 'A' | DIM 'B' | OPEN WALL OPTION |
|-----------------|--------------|----------------|---------|---------|------------------------|
| 170335-130* | 6 | 24 | 11.3 | 9.50 | |
| 170335-180* | 8 | 32 | 15.1 | 13.30 | |
| 170335-110* | 10 | 40 | 18.9 | 17.10 | |
| 170335-120* | 12 | 48 | 22.7 | 20.90 | |
| 170335-140* | 14 | 56 | 26.5 | 24.70 | |
| 170335-160* | 16 | 64 | 30.3 | 28.50 | |



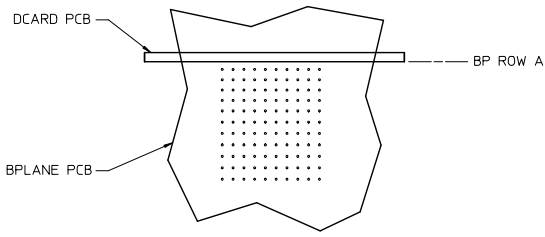
OPEN
WALL OPTION

PART NUMBER LOGIC

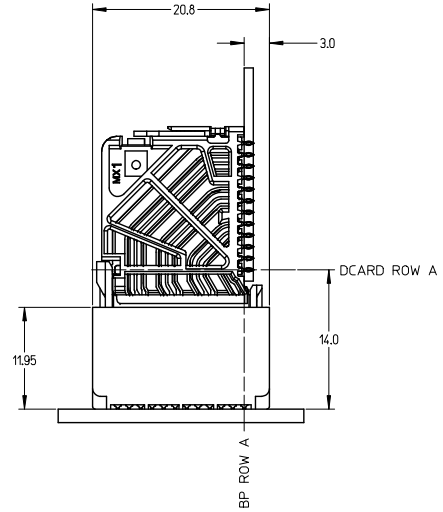
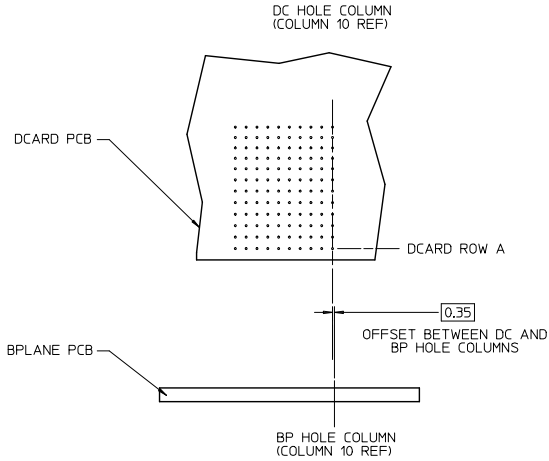
170335-****



| | | | | | | | |
|---|-----------------------|--|-----------------|---|--|------------------------|--|
| SEE SHEET 1 IEC NO: UCP2013-4948 2013/05/14 DRINKSWANGI CHKRMOLPE APPROVSMILLER 2013/05/20 REV | QUALITY SYMBOLS | GENERAL TOLERANCES (UNLESS SPECIFIED) | DIMENSION STYLE | SCALE | DESIGN UNITS | THIRD ANGLE PROJECTION | |
| | | mm INCH | MM ONLY | 1:1 | METRIC | | |
| | | 4 PLACES ± --- ± --- | DRAWN BY | DATE | TITLE | | |
| | | 3 PLACES ± --- ± --- | JB INGHAM | 2010/05/11 | IMPACT 4-PAIR 85-OHM UNGUIDED BACKPLANE SALES ASSEMBLY DRAWING | | |
| | 2 PLACES ± 0.13 ± --- | CHECKED BY | DATE | | | | |
| | 1 PLACE ± 0.25 ± --- | JLAURX | 2010/05/11 | | | | |
| | 0 PLACE ± --- ± --- | APPROVED BY | DATE | MATERIAL NO. | DOCUMENT NO. | SHEET NO. | |
| | | JLAURX | 2012/11/16 | SD-170335-0001 | | 2 OF 3 | |
| | | ANGULAR ±1/2° | | SEE CHART | | | |
| | | DRAFT WHERE APPLICABLE MUST REMAIN WITHIN DIMENSIONS | | THIS DRAWING CONTAINS INFORMATION THAT IS PROPRIETARY TO MOLEX INCORPORATED AND SHOULD NOT BE USED WITHOUT WRITTEN PERMISSION | | | |



IMPACT 4 PAIR
BOARD RELATIONSHIPS



| | | | | | | | |
|---|---|---|-----------------------------|------------------|--------------|--|--|
| SEE SHEET 1 EC NO: UCP2013-4948 DRAWN BY: DRINKSWANG01 CHECKED BY: CHIKKORMOLFE APPROVED BY: APPERSMILLER DATE: 2013/05/14 DATE: 2013/05/14 DATE: 2013/05/20 | QUALITY SYMBOLS | GENERAL TOLERANCES (UNLESS SPECIFIED) | DIMENSION STYLE | SCALE | DESIGN UNITS | THIRD ANGLE PROJECTION | |
| | $\nabla = 0$ $\nabla = 0.05$ $\nabla = 0.1$ | mm INCH 4 PLACES ± --- ± --- 3 PLACES ± --- ± --- 2 PLACES ± 0.13 ± --- 1 PLACE ± 0.25 ± --- 0 PLACE ± --- ± --- | MM ONLY | 3:1 | METRIC | DRAWN BY: JB INGHAM CHECKED BY: JL AURX APPROVED BY: JL AURX DATE: 2010/05/11 DATE: 2010/05/11 DATE: 2012/11/16 | TITLE: IMPACT 4-PAIR 85-OHM UNGUIDED BACKPLANE SALES ASSEMBLY DRAWING molex |
| | ANGULAR ±1/2° DRAFT WHERE APPLICABLE MUST REMAIN WITHIN DIMENSIONS | MATERIAL NO. SEE CHART SIZE C | DOCUMENT NO. SD-170335-0001 | SHEET NO. 3 OF 3 | | | |
| | THIS DRAWING CONTAINS INFORMATION THAT IS PROPRIETARY TO MOLEX INCORPORATED AND SHOULD NOT BE USED WITHOUT WRITTEN PERMISSION | | | | | | |