

Excellent Integrated System Limited

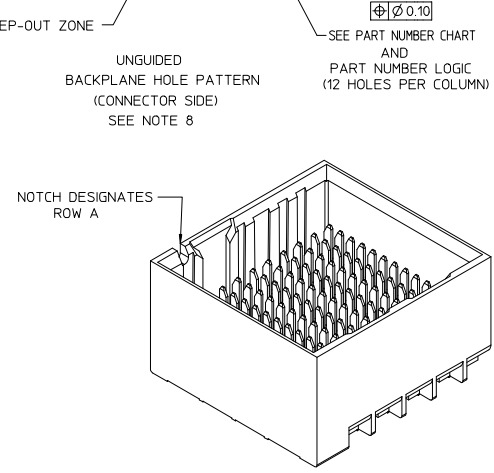
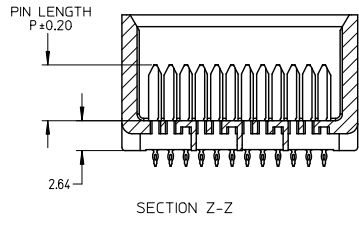
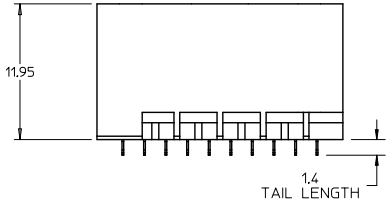
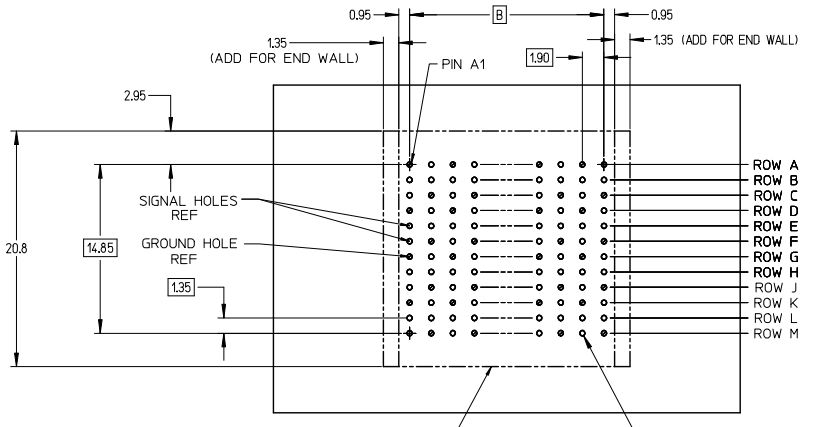
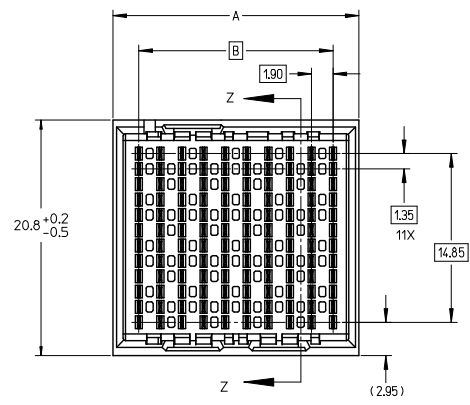
Stocking Distributor

Click to view price, real time Inventory, Delivery & Lifecycle Information:

[Molex Connector Corporation](#)
[1703351607](#)

For any questions, you can email us directly:

sales@integrated-circuit.com

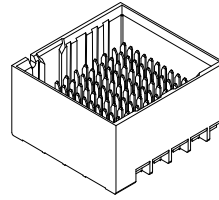


- NOTES:
1. MATERIALS: HOUSING - LIQUID CRYSTAL POLYMER (LCP)
GLASS-FILLED, UL94V-0
TERMINALS - HIGH PERFORMANCE COPPER ALLOY
 2. FINISH: 30# INCH MIN GOLD IN CONTACT AREA.
SELECTIVE MATTE TIN ON PCB TAILS, NICKEL OVERALL.
 3. REFER TO MOLEX PRODUCT SPECIFICATION PS-170540-999 FOR PERFORMANCE SPECIFICATIONS AND ADDITIONAL PCB INFORMATION.
 4. THIS PART CONFORMS TO CLASS B REQUIREMENTS OF MOLEX COSMETIC SPEC PS-45499-002.
 5. PARTS PACKAGED PER PK-70873-7701.
 6. SEE SHEETS 2 & 3 FOR PART NUMBERS AND BOARD RELATIONSHIPS.
 7. REFER TO MOLEX PCB ROUTING GUIDE AS-76060-990 FOR ANTI PAD AND ROUTING RECOMMENDATIONS.
 8. *THESE DIMENSIONS REPRESENT THE AREA NEEDED TO ACCOMMODATE CONNECTOR INSERTION AND REPAIR ON THE PC BOARD. THIS IS REFERRED TO AS THE 'CONNECTOR KEEP OUT ZONE' AND DOES NOT REPRESENT THE ACTUAL PERIMETER OF THE CONNECTOR. WHEN LAYING OUT A PC BOARD FOR CONNECTORS STACKED TOGETHER, USE A 1.9mm PROGRESSION.*
 9. MINIMUM CIRCUIT BOARD THICKNESS: 1.0mm

REV. DIM A ON CHART FOR OPEN WALL OPT. ON SHT.2 REV. NO. UCP-2015-4948 CHKD: WANGUI CHKD: MOUPE APPR: SMILLER REV. 2013/05/14 2013/05/14 2013/05/20	QUALITY SYMBOLS ▽=0 ▽=0 ▽=0	GENERAL TOLERANCES (UNLESS SPECIFIED)		DIMENSION STYLE MM ONLY		SCALE 4:1	DESIGN UNITS METRIC	THIRD ANGLE PROJECTION	
		mm	INCH	DRAWN BY JB INGHAM	DATE 2010/05/11	TITLE IMPACT 4-PAIR 85-OHM UNGUIDED BACKPLANE SALES ASSEMBLY DRAWING			
		4 PLACES	± ---	± ---	CHECKED BY JLAURX	DATE 2010/05/11	molex		
		3 PLACES	± ---	± ---	APPROVED BY JLAURX	DATE 2012/11/16			
		2 PLACES	± 0.13	± ---	MATERIAL NO.		DOCUMENT NO.		SHEET NO.
		1 PLACE	± 0.25	± ---	SEE CHART		SD-170335-0001		1 OF 3
		0 PLACE	± ---	± ---	THIS DRAWING CONTAINS INFORMATION THAT IS PROPRIETARY TO MOLEX INCORPORATED AND SHOULD NOT BE USED WITHOUT WRITTEN PERMISSION				

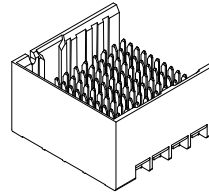
PART NUMBER CHART

MATERIAL NUMBER	# OF COLUMNS	# OF DIFF PAIR	DIM 'A'	DIM 'B'	DUAL END WALL OPTION
170335-132*	6	24	14.1	9.50	
170335-182*	8	32	17.9	13.30	
170335-112*	10	40	21.7	17.10	
170335-122*	12	48	25.5	20.90	
170335-142*	14	56	29.3	24.70	
170335-162*	16	64	33.1	28.50	



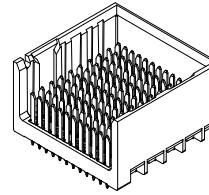
DUAL END
WALL OPTION

MATERIAL NUMBER	# OF COLUMNS	# OF DIFF PAIR	DIM 'A'	DIM 'B'	LEFT END WALL OPTION
170335-131*	6	24	12.7	9.50	
170335-181*	8	32	16.5	13.30	
170335-111*	10	40	20.3	17.10	
170335-121*	12	48	24.1	20.90	
170335-141*	14	56	27.9	24.70	
170335-161*	16	64	31.7	28.50	



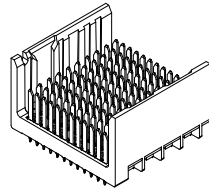
LEFT END
WALL OPTION

MATERIAL NUMBER	# OF COLUMNS	# OF DIFF PAIR	DIM 'A'	DIM 'B'	RIGHT END WALL OPTION
170335-133*	6	24	12.7	9.50	
170335-183*	8	32	16.5	13.30	
170335-113*	10	40	20.3	17.10	
170335-123*	12	48	24.1	20.90	
170335-143*	14	56	27.9	24.70	
170335-163*	16	64	31.7	28.50	



RIGHT END
WALL OPTION

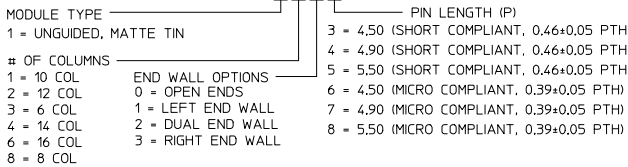
MATERIAL NUMBER	# OF COLUMNS	# OF DIFF PAIR	DIM 'A'	DIM 'B'	OPEN WALL OPTION
170335-130*	6	24	11.3	9.50	
170335-180*	8	32	15.1	13.30	
170335-110*	10	40	18.9	17.10	
170335-120*	12	48	22.7	20.90	
170335-140*	14	56	26.5	24.70	
170335-160*	16	64	30.3	28.50	



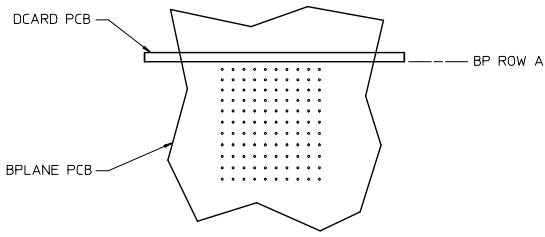
OPEN
WALL OPTION

PART NUMBER LOGIC

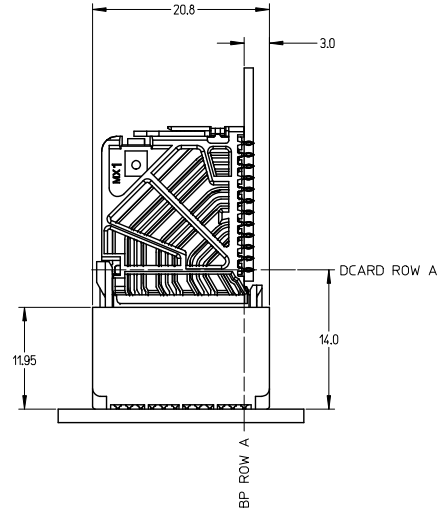
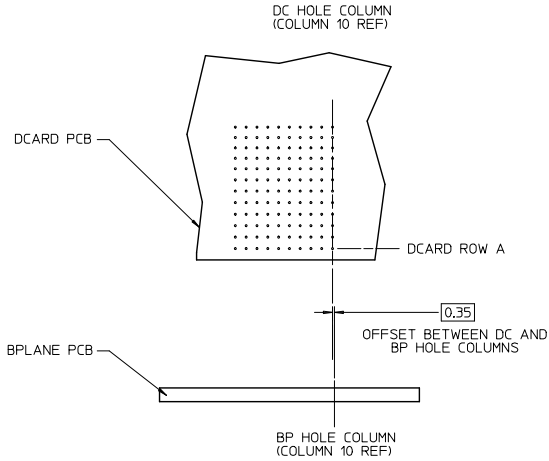
170335-****



SEE SHEET 1 IEC NO: UCP2013-4948 2013/05/14 DRINKSWANGDI CHKRMOLPE APPROVAL 2013/05/20 APPRSMILLER	QUALITY SYMBOLS 	GENERAL TOLERANCES (UNLESS SPECIFIED)		DIMENSION STYLE MM ONLY		SCALE 1:1	DESIGN UNITS METRIC	THIRD ANGLE PROJECTION	
		4 PLACES ± --- ± --- 3 PLACES ± --- ± --- 2 PLACES ± 0.13 ± --- 1 PLACE ± 0.25 ± --- 0 PLACE ± --- ± ---	mm INCH	DRAWN BY JB INGHAM	DATE 2010/05/11	TITLE IMPACT 4-PAIR 85-OHM UNGUIDED BACKPLANE SALES ASSEMBLY DRAWING			
		ANGULAR ±1/2°		CHECKED BY JLAURX	DATE 2010/05/11	APPROVED BY JLAURX DATE 2012/11/16			
		DRAFT WHERE APPLICABLE MUST REMAIN WITHIN DIMENSIONS		MATERIAL NO. SEE CHART	DOCUMENT NO. SD-170335-0001	SHEET NO. 2 OF 3		molex	



IMPACT 4 PAIR
BOARD RELATIONSHIPS



SEE SHEET 1 EC NO: UCP2013-4948 DRAWN BY: DRINKSWANG01 CHECKED BY: CHIKKIMOLPE APPROVED BY: APPERSMILLER DATE: 2013/05/14 DATE: 2013/05/14 DATE: 2013/05/20	QUALITY SYMBOLS	GENERAL TOLERANCES (UNLESS SPECIFIED)	DIMENSION STYLE	SCALE	DESIGN UNITS	THIRD ANGLE PROJECTION
	4 PLACES ± 0.13 ± 0.005 3 PLACES ± 0.13 ± 0.005 2 PLACES ± 0.25 ± 0.005 1 PLACE ± 0.25 ± 0.005 0 PLACE ± 0.25 ± 0.005	MM ONLY	3:1	METRIC	DRAWN BY: JB INGHAM CHECKED BY: JL AURX APPROVED BY: JL AURX DATE: 2010/05/11 DATE: 2010/05/11 DATE: 2012/11/16	TITLE: IMPACT 4-PAIR 85-OHM UNGUIDED BACKPLANE SALES ASSEMBLY DRAWING molex
	ANGULAR ±1/2° DRAFT WHERE APPLICABLE MUST REMAIN WITHIN DIMENSIONS	SEE CHART	MATERIAL NO.	DOCUMENT NO.	SHEET NO.	
	SIZE C THIS DRAWING CONTAINS INFORMATION THAT IS PROPRIETARY TO MOLEX INCORPORATED AND SHOULD NOT BE USED WITHOUT WRITTEN PERMISSION	SD-170335-0001	3 OF 3			