

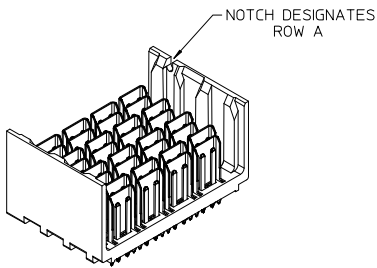
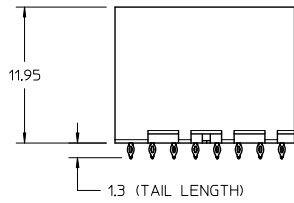
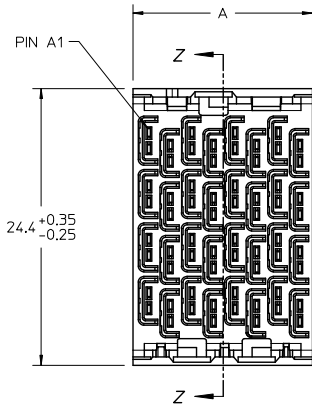
Excellent Integrated System Limited

Stocking Distributor

Click to view price, real time Inventory, Delivery & Lifecycle Information:

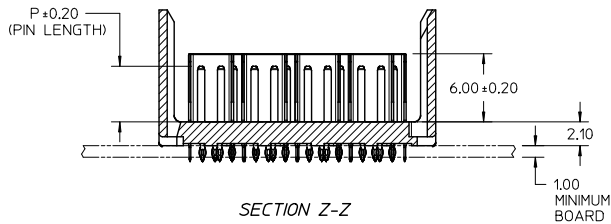
[Molex Connector Corporation](#)
[1713151607](#)

For any questions, you can email us directly:
sales@integrated-circuit.com



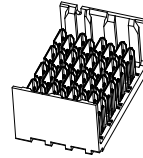
NOTES:

1. MATERIALS: HOUSING - LIQUID CRYSTAL POLYMER (LCP)
GLASS-FILLED, UL94V-0
TERMINALS - HIGH PERFORMANCE COPPER ALLOY
2. FINISH: 30µIN GOLD IN CONTACT AREA.
SELECTIVE TIN ON PCB TAILS.
NICKEL OVERALL.
3. REFER TO MOLEX PRODUCT SPECIFICATION PS-171320-999 FOR PERFORMANCE SPECIFICATIONS.
4. THIS PART CONFORMS TO CLASS B REQUIREMENTS OF MOLEX COSMETIC SPEC PS-45499-002.
5. PRODUCT WILL BE PACKAGED PER PK-78888-084.
6. SEE SHEETS 6 AND 7 FOR HOLE PATTERN AND MATED PART DIMENSIONS.
7. MATES WITH IMPEL DC SERIES NUMBER 171320.
8. REFER TO IMPEL PCB ROUTING GUIDE AS-171320-990 FOR ANTIPAD, ROUTING RECOMMENDATIONS, AND ADDITIONAL PCB INFORMATION.
9. WHEN STACKING MODULES END TO END, THE MINIMUM COLUMN TO COLUMN SPACING IS 2.65mm.

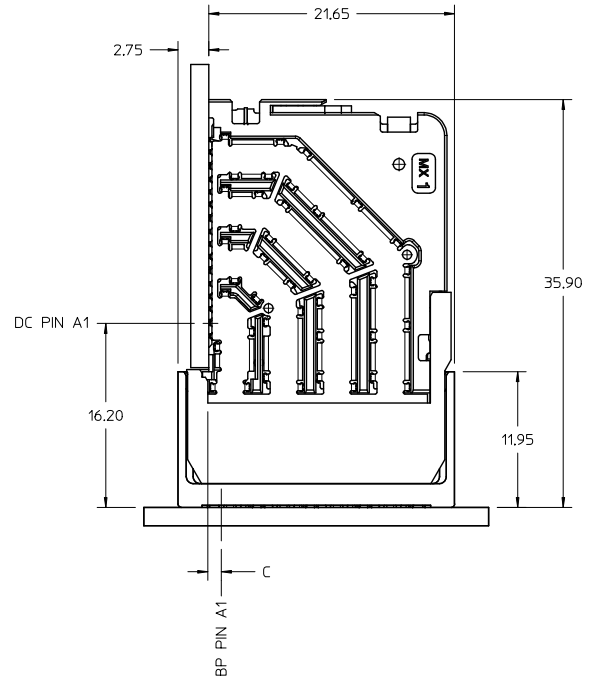


ADD: 14-COL & SHEET 7 EC NO: UCP2016-0311 DRWING: WARIARA 2015/07/24 CHKD: [blank] APPR: TELD 2016/04/04 REV: A2	QUALITY SYMBOLS ∇=0 ∇=0 ∇=0	GENERAL TOLERANCES (UNLESS SPECIFIED)		DIMENSION STYLE MM ONLY		SCALE 4:1	DESIGN UNITS METRIC	THIRD ANGLE PROJECTION			
		4 PLACES ± --- ± ---	3 PLACES ± --- ± ---	2 PLACES ± 0.13 ± ---	1 PLACE ± 0.25 ± ---	ANGULAR ± 1/2°	DRAWN BY B JANOWIAK	DATE 2012/09/18	TITLE IMPEL 4 PAIR BACKPLANE UNGUIDED ASSEMBLY SALES DRAWING		
		DRAFT WHERE APPLICABLE MUST REMAIN WITHIN DIMENSIONS					APPROVED BY JLAURX	DATE 2013/12/09	MOLEX MOLEX INCORPORATED		SHEET NO. 1 OF 7
		SEE CHART					MATERIAL NO.	DOCUMENT NO.	SD-171315-0001		

MATERIAL NUMBER	NUMBER OF COLUMNS	NUMBER OF DIFF PAIR	DIM 'A'	DIM 'B'	DIM 'C'	DIM 'P'	PTH ϕ
171315-1804	8	32	15.80	13.30	1.10	4.90	0.46±0.05
171315-1805	8	32	15.80	13.30	1.10	5.50	0.46±0.05
171315-1807	8	32	15.80	13.30	1.20	4.90	0.36±0.05
171315-1808	8	32	15.80	13.30	1.20	5.50	0.36±0.05
171315-1104	10	40	19.60	17.10	1.10	4.90	0.46±0.05
171315-1105	10	40	19.60	17.10	1.10	5.50	0.46±0.05
171315-1107	10	40	19.60	17.10	1.20	4.90	0.36±0.05
171315-1108	10	40	19.60	17.10	1.20	5.50	0.36±0.05
171315-1204	12	48	23.40	20.90	1.10	4.90	0.46±0.05
171315-1205	12	48	23.40	20.90	1.10	5.50	0.46±0.05
171315-1207	12	48	23.40	20.90	1.20	4.90	0.36±0.05
171315-1208	12	48	23.40	20.90	1.20	5.50	0.36±0.05
171315-1404	14	56	27.20	24.70	1.10	4.90	0.46±0.05
171315-1405	14	56	27.20	24.70	1.10	5.50	0.46±0.05
171315-1407	14	56	27.20	24.70	1.20	4.90	0.36±0.05
171315-1408	14	56	27.20	24.70	1.20	5.50	0.36±0.05
171315-1604	16	64	31.00	28.50	1.10	4.90	0.46±0.05
171315-1605	16	64	31.00	28.50	1.10	5.50	0.46±0.05
171315-1607	16	64	31.00	28.50	1.20	4.90	0.36±0.05
171315-1608	16	64	31.00	28.50	1.20	5.50	0.36±0.05



OPEN WALL OPTION



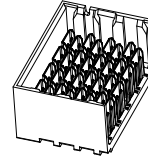
MATED PART DIMENSIONS

171315-1***

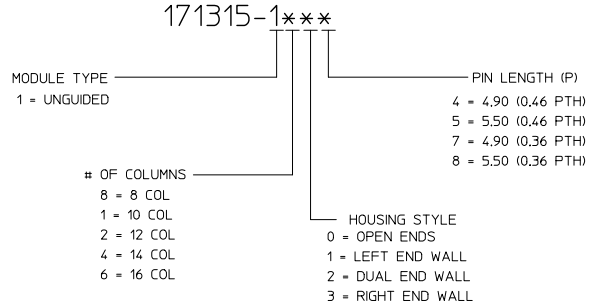
- MODULE TYPE
 - 1 = UNGUIDED
- # OF COLUMNS
 - 8 = 8 COL
 - 1 = 10 COL
 - 2 = 12 COL
 - 4 = 14 COL
 - 6 = 16 COL
- PIN LENGTH (P)
 - 4 = 4.90 (0.46 PTH)
 - 5 = 5.50 (0.46 PTH)
 - 7 = 4.90 (0.36 PTH)
 - 8 = 5.50 (0.36 PTH)
- HOUSING STYLE
 - 0 = OPEN ENDS
 - 1 = LEFT END WALL
 - 2 = DUAL END WALL
 - 3 = RIGHT END WALL

SEE SHEET 1 EC NO: UCP2016-0311 DRW: MWIARA 2015/07/24 CHKD: APPR: TELU 2016/04/04 REV	QUALITY SYMBOLS	GENERAL TOLERANCES (UNLESS SPECIFIED)	DIMENSION STYLE	SCALE	DESIGN UNITS	THIRD ANGLE PROJECTION
	4 PLACES ± --- ± --- 3 PLACES ± --- ± --- 2 PLACES ± 0.13 ± --- 1 PLACE ± 0.25 ± --- ANGULAR ± 1/2°	mm INCH DRAWN BY: B JANOWIAK DATE: 2012/09/18 CHECKED BY: DATE: APPROVED BY: JLAURX DATE: 2013/12/09	MM ONLY	4:1	METRIC	IMPEL 4 PAIR BACKPLANE UNGUIDED ASSEMBLY SALES DRAWING MOLEX INCORPORATED
DRAFT WHERE APPLICABLE MUST REMAIN WITHIN DIMENSIONS		SEE CHART	MATERIAL NO.	DOCUMENT NO.	SHEET NO. 2 OF 7	
		THIS DRAWING CONTAINS INFORMATION THAT IS PROPRIETARY TO MOLEX INCORPORATED AND SHOULD NOT BE USED WITHOUT WRITTEN PERMISSION				

MATERIAL NUMBER	NUMBER OF COLUMNS	NUMBER OF DIFF PAIR	DIM "A"	DIM "B"	DIM "C"	DIM "P"	PTH ϕ
171315-1814	8	32	17.20	13.30	1.10	4.90	0.46±0.05
171315-1815	8	32	17.20	13.30	1.10	5.50	0.46±0.05
171315-1817	8	32	17.20	13.30	1.20	4.90	0.36±0.05
171315-1818	8	32	17.20	13.30	1.20	5.50	0.36±0.05
171315-1114	10	40	21.00	17.10	1.10	4.90	0.46±0.05
171315-1115	10	40	21.00	17.10	1.10	5.50	0.46±0.05
171315-1117	10	40	21.00	17.10	1.20	4.90	0.36±0.05
171315-1118	10	40	21.00	17.10	1.20	5.50	0.36±0.05
171315-1214	12	48	24.80	20.90	1.10	4.90	0.46±0.05
171315-1215	12	48	24.80	20.90	1.10	5.50	0.46±0.05
171315-1217	12	48	24.80	20.90	1.20	4.90	0.36±0.05
171315-1218	12	48	24.80	20.90	1.20	5.50	0.36±0.05
171315-1414	14	56	28.60	24.70	1.10	4.90	0.46±0.05
171315-1415	14	56	28.60	24.70	1.10	5.50	0.46±0.05
171315-1417	14	56	28.60	24.70	1.20	4.90	0.36±0.05
171315-1418	14	56	28.60	24.70	1.20	5.50	0.36±0.05
171315-1614	16	64	32.40	28.50	1.10	4.90	0.46±0.05
171315-1615	16	64	32.40	28.50	1.10	5.50	0.46±0.05
171315-1617	16	64	32.40	28.50	1.20	4.90	0.36±0.05
171315-1618	16	64	32.40	28.50	1.20	5.50	0.36±0.05

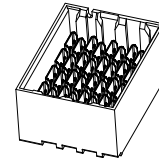


LEFT END WALL OPTION

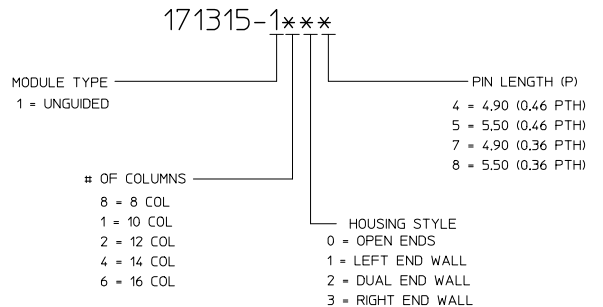


SEE SHEET 1 IEC NO: UCP2016-0311 DRAWN: MARIARA 2015/07/24 CHKD: APPR: TELU 2016/04/04 REV	QUALITY SYMBOLS	GENERAL TOLERANCES (UNLESS SPECIFIED)	DIMENSION STYLE	SCALE	DESIGN UNITS	THIRD ANGLE PROJECTION
	4 PLACES ± --- ± --- 3 PLACES ± --- ± --- 2 PLACES ± 0.13 ± --- 1 PLACE ± 0.25 ± --- 0 PLACE ± --- ± ---	mm INCH ± --- ± --- ± --- ± --- ± --- ± --- ± --- ± ---	MM ONLY	4:1	METRIC	IMPEL 4 PAIR BACKPLANE UNGUIDED ASSEMBLY SALES DRAWING molex
	DRAWN BY: B JANOWIAK CHECKED BY: APPROVED BY: JL AURX DATE: 2012/09/18 DATE: 2013/12/09	MATERIAL NO. SEE CHART SIZE C	DOCUMENT NO. SD-171315-0001	SHEET NO. 3 OF 7		
	DRAFT WHERE APPLICABLE MUST REMAIN WITHIN DIMENSIONS THIS DRAWING CONTAINS INFORMATION THAT IS PROPRIETARY TO MOLEX INCORPORATED AND SHOULD NOT BE USED WITHOUT WRITTEN PERMISSION					

MATERIAL NUMBER	NUMBER OF COLUMNS	NUMBER OF DIFF PAIR	DIM "A"	DIM "B"	DIM "C"	DIM "P"	PTH ϕ
171315-1824	8	32	18.60	13.30	1.10	4.90	0.46+0.05
171315-1825	8	32	18.60	13.30	1.10	5.50	0.46+0.05
171315-1827	8	32	18.60	13.30	1.20	4.90	0.36+0.05
171315-1828	8	32	18.60	13.30	1.20	5.50	0.36+0.05
171315-1124	10	40	22.40	17.10	1.10	4.90	0.46+0.05
171315-1125	10	40	22.40	17.10	1.10	5.50	0.46+0.05
171315-1127	10	40	22.40	17.10	1.20	4.90	0.36+0.05
171315-1128	10	40	22.40	17.10	1.20	5.50	0.36+0.05
171315-1224	12	48	26.20	20.90	1.10	4.90	0.46+0.05
171315-1225	12	48	26.20	20.90	1.10	5.50	0.46+0.05
171315-1227	12	48	26.20	20.90	1.20	4.90	0.36+0.05
171315-1228	12	48	26.20	20.90	1.20	5.50	0.36+0.05
171315-1424	14	56	30.00	24.70	1.10	4.90	0.46+0.05
171315-1425	14	56	30.00	24.70	1.10	5.50	0.46+0.05
171315-1427	14	56	30.00	24.70	1.20	4.90	0.36+0.05
171315-1428	14	56	30.00	24.70	1.20	5.50	0.36+0.05
171315-1624	16	64	33.80	28.50	1.10	4.90	0.46+0.05
171315-1625	16	64	33.80	28.50	1.10	5.50	0.46+0.05
171315-1627	16	64	33.80	28.50	1.20	4.90	0.36+0.05
171315-1628	16	64	33.80	28.50	1.20	5.50	0.36+0.05

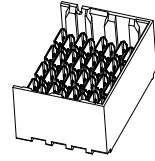


DUAL END WALL OPTION

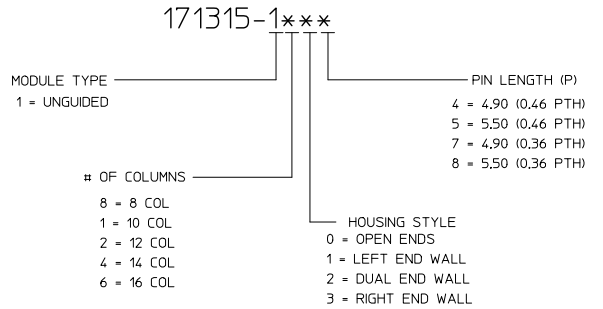


SEE SHEET 1 IEC NO: UCP2016-0311 DRAWN: MARIARA 2015/07/21 CHKD: APPR: TELO 2016/04/04 REV	QUALITY SYMBOLS	GENERAL TOLERANCES (UNLESS SPECIFIED)	DIMENSION STYLE	SCALE	DESIGN UNITS	THIRD ANGLE PROJECTION
	$\nabla=0$ $\nabla=0.13$ $\nabla=0.25$	mm INCH 4 PLACES \pm --- \pm --- 3 PLACES \pm --- \pm --- 2 PLACES \pm 0.13 \pm --- 1 PLACE \pm 0.25 \pm --- 0 PLACE \pm --- \pm ---	MM ONLY	4:1	METRIC	IMPEL 4 PAIR BACKPLANE UNGUIDED ASSEMBLY SALES DRAWING
	DRAWN BY: B JANOWIAK CHECKED BY: APPROVED BY: J LAURX DATE: 2012/09/18 DATE: 2013/12/09	MATERIAL NO. SEE CHART SIZE C	DOCUMENT NO. SD-171315-0001	SHEET NO. 4 OF 7		
	DRAFT WHERE APPLICABLE MUST REMAIN WITHIN DIMENSIONS THIS DRAWING CONTAINS INFORMATION THAT IS PROPRIETARY TO MOLEX INCORPORATED AND SHOULD NOT BE USED WITHOUT WRITTEN PERMISSION					

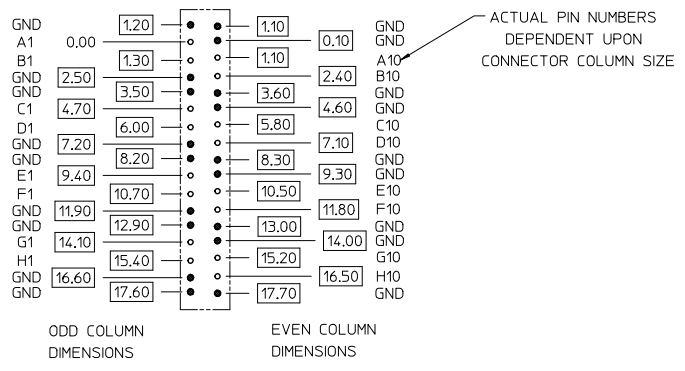
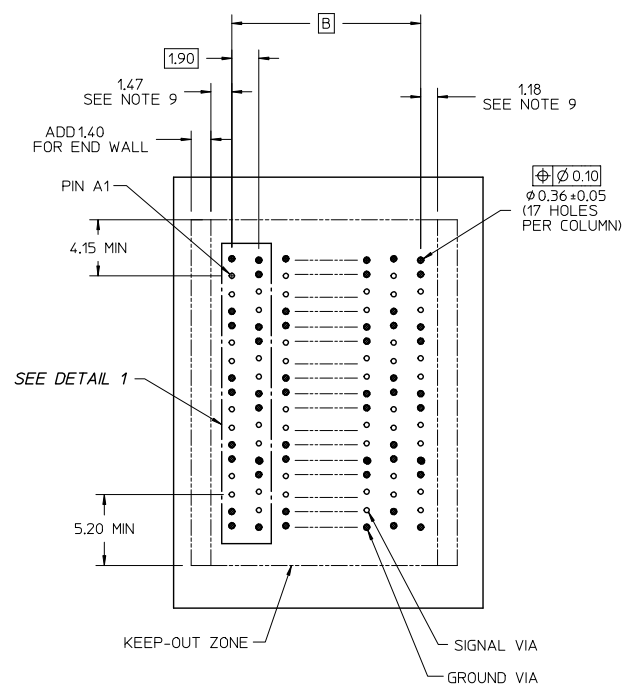
MATERIAL NUMBER	NUMBER OF COLUMNS	NUMBER OF DIFF PAIR	DIM 'A'	DIM 'B'	DIM 'C'	DIM 'P'	PTH ϕ
171315-1834	8	32	17.20	13.30	1.10	4.90	0.46+0.05
171315-1835	8	32	17.20	13.30	1.10	5.50	0.46+0.05
171315-1837	8	32	17.20	13.30	1.20	4.90	0.36+0.05
171315-1838	8	32	17.20	13.30	1.20	5.50	0.36+0.05
171315-1134	10	40	21.00	17.10	1.10	4.90	0.46+0.05
171315-1135	10	40	21.00	17.10	1.10	5.50	0.46+0.05
171315-1137	10	40	21.00	17.10	1.20	4.90	0.36+0.05
171315-1138	10	40	21.00	17.10	1.20	5.50	0.36+0.05
171315-1234	12	48	24.80	20.90	1.10	4.90	0.46+0.05
171315-1235	12	48	24.80	20.90	1.10	5.50	0.46+0.05
171315-1237	12	48	24.80	20.90	1.20	4.90	0.36+0.05
171315-1238	12	48	24.80	20.90	1.20	5.50	0.36+0.05
171315-1434	14	56	28.60	24.70	1.10	4.90	0.46+0.05
171315-1435	14	56	28.60	24.70	1.10	5.50	0.46+0.05
171315-1437	14	56	28.60	24.70	1.20	4.90	0.36+0.05
171315-1438	14	56	28.60	24.70	1.20	5.50	0.36+0.05
171315-1634	16	64	32.40	28.50	1.10	4.90	0.46+0.05
171315-1635	16	64	32.40	28.50	1.10	5.50	0.46+0.05
171315-1637	16	64	32.40	28.50	1.20	4.90	0.36+0.05
171315-1638	16	64	32.40	28.50	1.20	5.50	0.36+0.05



RIGHT END WALL OPTION



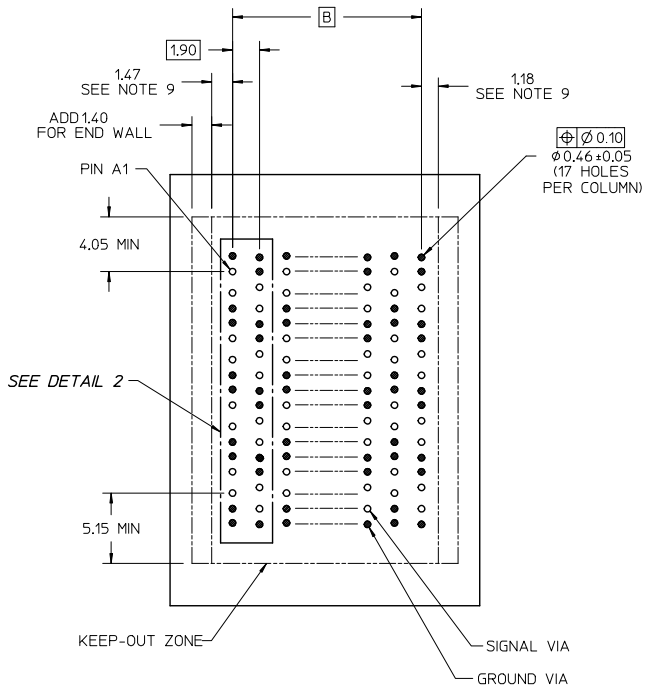
SEE SHEET 1 IEC NO: UCP2016-0311 DRAWN BY: WARIARA 2015/07/24 CHKD: APPR: TELU 2016/04/04 REV	QUALITY SYMBOLS	GENERAL TOLERANCES (UNLESS SPECIFIED)	DIMENSION STYLE	SCALE	DESIGN UNITS	THIRD ANGLE PROJECTION
	$\nabla=0$ $\nabla=0.13$ $\nabla=0.25$	mm INCH 4 PLACES \pm --- \pm --- 3 PLACES \pm --- \pm --- 2 PLACES \pm 0.13 \pm --- 1 PLACE \pm 0.25 \pm --- 0 PLACE \pm --- \pm ---	MM ONLY	4:1	METRIC	IMPEL 4 PAIR BACKPLANE UNGUIDED ASSEMBLY SALES DRAWING molex
	DRAWN BY: B JANOWIAK CHECKED BY: APPROVED BY: JL AURX DATE: 2012/09/18 DATE: 2013/12/09	MATERIAL NO. SEE CHART SIZE C	DOCUMENT NO. SD-171315-0001	SHEET NO. 5 OF 7		
	ANGULAR $\pm 1/2^\circ$ DRAFT WHERE APPLICABLE MUST REMAIN WITHIN DIMENSIONS THIS DRAWING CONTAINS INFORMATION THAT IS PROPRIETARY TO MOLEX INCORPORATED AND SHOULD NOT BE USED WITHOUT WRITTEN PERMISSION					



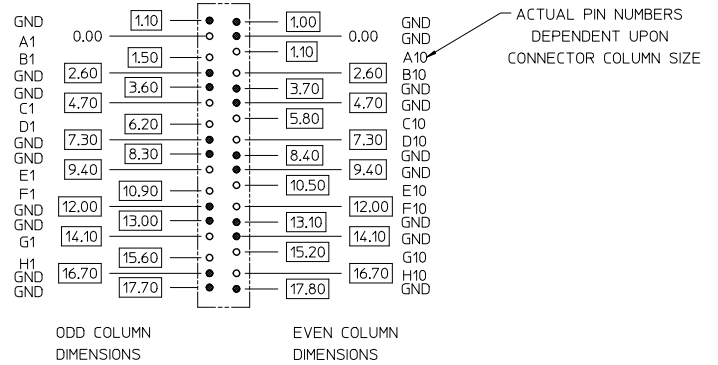
DETAIL 1
SCALE 5:1

BACKPLANE HOLE PATTERN
FOR $\varnothing 0.36$ PTH
(CONNECTOR SIDE)

SEE SHEET 1 EC NO: UCP2016-0311 DRW: DWIARIARA 2015/07/21 CHKD: APPR: TELD 2016/04/04 REV: A2	QUALITY SYMBOLS	GENERAL TOLERANCES (UNLESS SPECIFIED)	DIMENSION STYLE	SCALE	DESIGN UNITS	THIRD ANGLE PROJECTION	
	$\nabla = 0$ $\nabla = 0$ $\nabla = 0$	mm INCH 4 PLACES \pm --- \pm --- 3 PLACES \pm --- \pm --- 2 PLACES ± 0.13 \pm --- 1 PLACE ± 0.25 \pm --- ANGULAR $\pm 1/2^\circ$	MM ONLY	5:1	METRIC	DRAWN BY: B JANOWIAK DATE: 2012/09/18 CHECKED BY: DATE: APPROVED BY: JLAURX DATE: 2013/12/09 MATERIAL NO.: SEE CHART DOCUMENT NO.: SD-171315-0001	TITLE: IMPEL 4 PAIR BACKPLANE UNGUIDED ASSEMBLY SALES DRAWING MOLEX INCORPORATED SHEET NO. 6 OF 7
	DRAFT WHERE APPLICABLE MUST REMAIN WITHIN DIMENSIONS	SIZE C	THIS DRAWING CONTAINS INFORMATION THAT IS PROPRIETARY TO MOLEX INCORPORATED AND SHOULD NOT BE USED WITHOUT WRITTEN PERMISSION				



BACKPLANE HOLE PATTERN FOR $\phi 0.46$ PTH (CONNECTOR SIDE)



DETAIL 2 SCALE 5:1

SEE SHEET 1 EC NO: UCP2016-0311 DRW: DWARANA 2015/07/21 CHKD: APPR: TELU 2016/04/04 REV: A2	QUALITY SYMBOLS	GENERAL TOLERANCES (UNLESS SPECIFIED)	DIMENSION STYLE	SCALE	DESIGN UNITS	THIRD ANGLE PROJECTION
		mm INCH	MM ONLY	4:1	METRIC	
	4 PLACES ± --- ± --- 3 PLACES ± --- ± --- 2 PLACES ± 0.13 ± --- 1 PLACE ± 0.25 ± --- 0 PLACE ± --- ± ---	DRAWN BY: BJANOWIAK CHECKED BY: APPROVED BY: JL AURX DATE: 2012/09/18 DATE: DATE: 2013/12/09	TITLE	IMPEL 4 PAIR BACKPLANE UNGUIDED ASSEMBLY SALES DRAWING 		
	ANGULAR ± 1/2° DRAFT WHERE APPLICABLE MUST REMAIN WITHIN DIMENSIONS	MATERIAL NO. SEE CHART	DOCUMENT NO. SD-171315-0001	SHEET NO. 7 OF 7		