

## Excellent Integrated System Limited

Stocking Distributor

Click to view price, real time Inventory, Delivery & Lifecycle Information:

[Semtech](#)  
[SCBA2](#)

For any questions, you can email us directly:

[sales@integrated-circuit.com](mailto:sales@integrated-circuit.com)

**SEMTECH**

**STANDARD RECOVERY 1 PHASE  
FULL WAVE BRIDGE RECTIFIERS**

**SCBA2  
SCBA4  
SCBA6**

January 16, 1998

TEL:805-498-2111 FAX:805-498-3804 WEB:http://www.semtech.com

**STANDARD RECOVERY, MEDIUM CURRENT 1-PHASE  
FULL WAVE BRIDGE RECTIFIER ASSEMBLIES**

**QUICK REFERENCE  
DATA**

- Low forward voltage drop
- Low reverse leakage current
- Aluminum case
- Low thermal impedance
- Insulated electrical connections

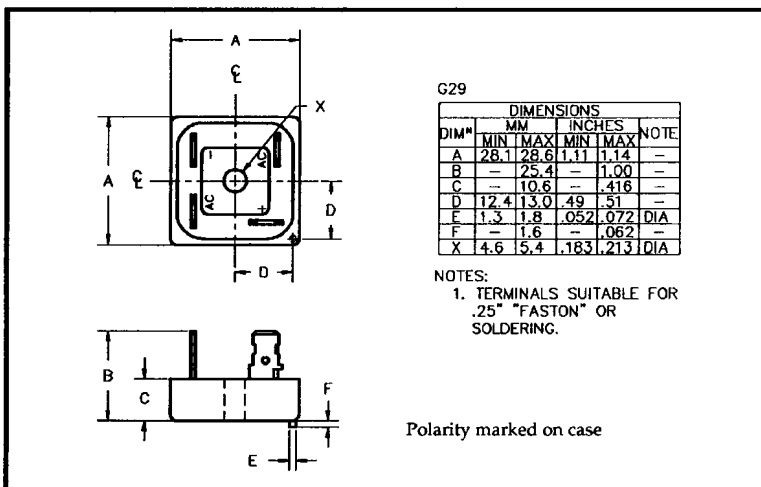
- $V_R = 200V - 600V$
- $I_F = 25A$
- $I_R = 2.0\mu A$
- $t_{rr} = 2.0\mu S$

**ABSOLUTE MAXIMUM RATINGS**

Device Type	Working Reverse Voltage $V_{RWM}$	Average Rectified Current $I_{F(AV)}$						1 Cycle Surge Current	
		(@ case temperature)			(@ ambient temperature)			$I_{FSM} t_p = 8.3mS$	
		@ 55°C	@ 100°C	@ 125°C	@ 25°C	@ 55°C	@ 100°C	@ 25°C	@ 100°C
Volts	Amps	Amps	Amps	Amps	Amps	Amps	Amps	Amps	
SCBA2	200								
SCBA4	400	25	18.5	12.5	6.0	5.0	3.0	150	100
SCBA6	600								

$R_{\theta JC} = 2.0^{\circ}C/W$

**MECHANICAL**



SCBA6 is available in Europe to DEF STAN 59-61/90/207 release to F and FX levels.

January 16, 1998

**ELECTRICAL CHARACTERISTICS**

Device Type	Maximum Reverse Leakage Current $I_R$ @ $V_{RWM}$		Maximum Forward Voltage $V_F$ @ 3A/leg	Reverse Recovery Time <sup>1</sup> $t_{rr}$ @ 25°C	Maximum operating & storage temp. range. $T_{OP}$ $T_{STG}$
	@ 25°C	@ 100°C			
	µA	µA	Volts	µS	°C
SCBA2 SCBA4 SCBA6	2.0	40	1.0	2.0	-55 to +150

<sup>1</sup> Measured on discrete devices prior to assembly

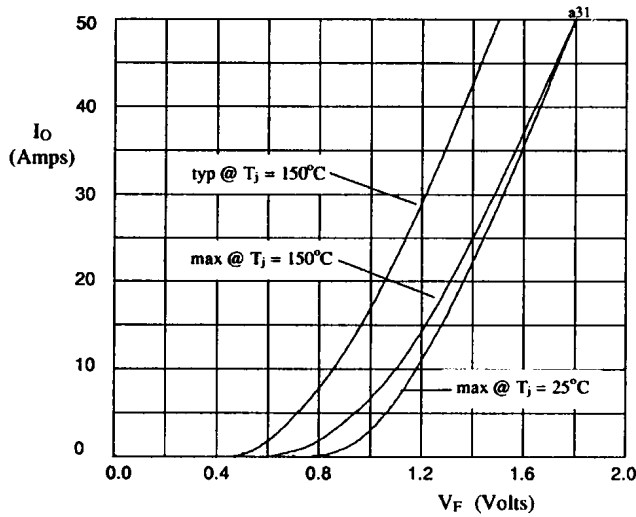


Fig 1. Forward voltage drop against output current per leg.

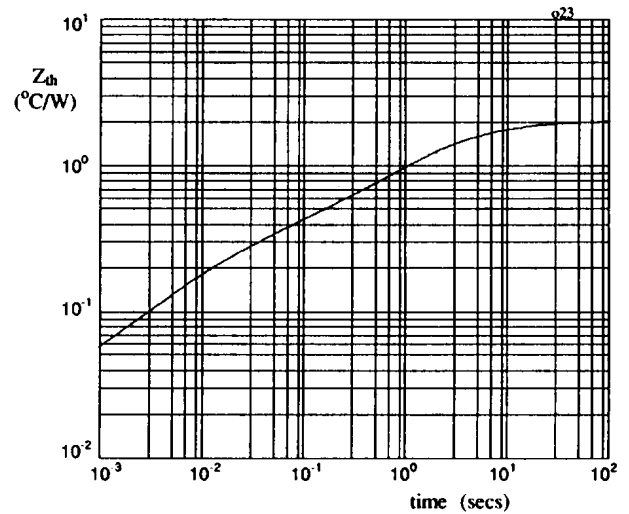


Fig 2. Transient thermal impedance characteristic per leg

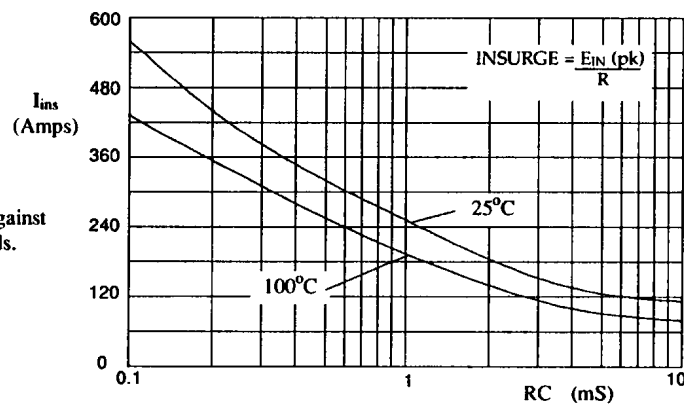


Fig 3. Maximum insurge current against time constant for capacitive loads.