

Excellent Integrated System Limited

Stocking Distributor

Click to view price, real time Inventory, Delivery & Lifecycle Information:

[Semtech](#)
[SBMC4](#)

For any questions, you can email us directly:

sales@integrated-circuit.com

SEMTECH

STANDARD RECOVERY 1 PHASE SILICON BRIDGE RECTIFIERS

SBM*2
 thru
 SBM*0

January 16, 1998

TEL:805-498-2111 FAX:805-498-3804 WEB:http://www.semtech.com

STANDARD RECOVERY, PCB MOUNTING, 1-PHASE FULL WAVE BRIDGE RECTIFIER ASSEMBLIES

- Low forward voltage drop
- Low reverse leakage current
- Subminiature design
- Three lead configurations
- Pcb mounting

QUICK REFERENCE DATA

- $V_R = 200V - 1000V$
- $I_F = 1.5A$
- $I_R = 2.0 \mu A$
- $t_{rr} = 2.0\mu S$

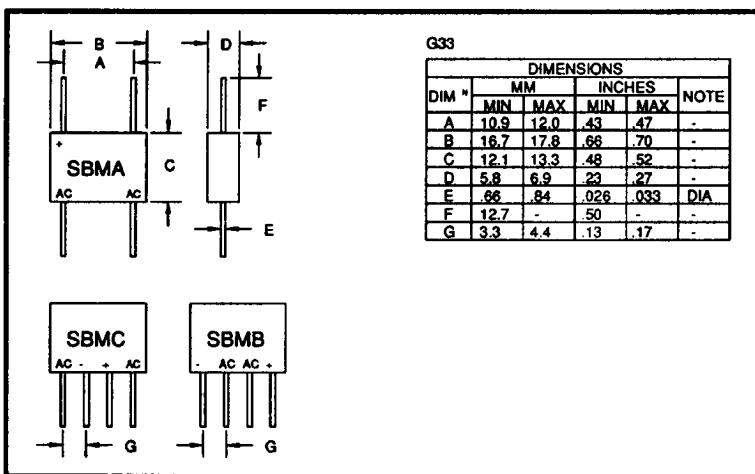
ABSOLUTE MAXIMUM RATINGS & CHARACTERISTICS

Device Type	Working Reverse Voltage V_{RWM}	Average Rectified Current $I_{F(AV)}$		1 Cycle Surge Current I_{FSM} $t_p = 8.3mS$	Repetitive Surge Current I_{FRM}	Reverse Leakage Current $I_R @ V_{RWM}$		Forward Voltage drop $V_F @ 1A/leg$ $@ 25^\circ C$	Reverse Recovery Time t_{rr}
		@ 55°C	@ 100°C	@ 25°C	@ 25°C	@ 25°C	@ 100°C		@ 25°C
		Volts	Amps	Amps	Amps	Amps	μA		μA
SBM*2	200	1.5	1.0	50	10	2.0	50	1.1	2.0
SBM*4	400	1.5	1.0	50	10	2.0	50	1.1	
SBM*6	600	1.5	1.0	50	10	2.0	50	1.1	
SBM*8	800	1.5	1.0	50	10	2.0	50	1.1	
SBM*0	1000	1.5	1.0	50	10	2.0	50	1.1	

* Add A, B, C for desired circuit configuration (see Mechanical outline)

¹ Measured on discrete devices prior to assembly

MECHANICAL



SEMTECH

**STANDARD RECOVERY 1 PHASE
SILICON BRIDGE RECTIFIERS**

**SBM*2
thru
SBM*0**

January 16, 1998

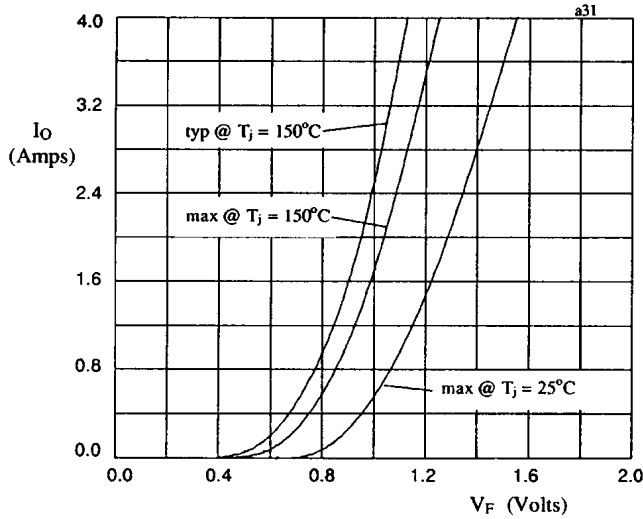


Fig 1. Forward voltage drop against output current per leg

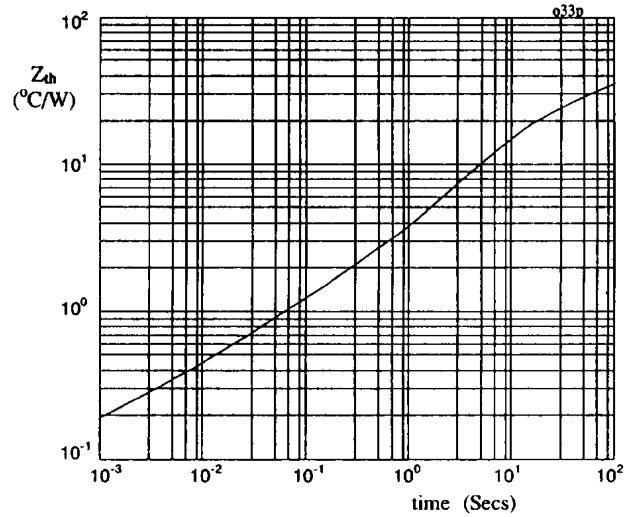


Fig 2. Transient thermal impedance characteristic per leg

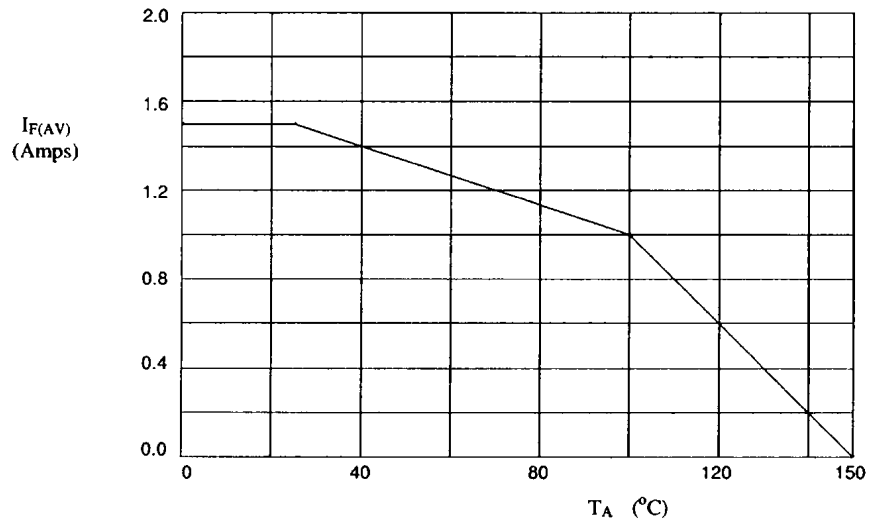


Fig 3. Maximum average forward current against ambient temperature.