

Excellent Integrated System Limited

Stocking Distributor

Click to view price, real time Inventory, Delivery & Lifecycle Information:

[TE Connectivity AMP Connectors](#)
[492642-1](#)

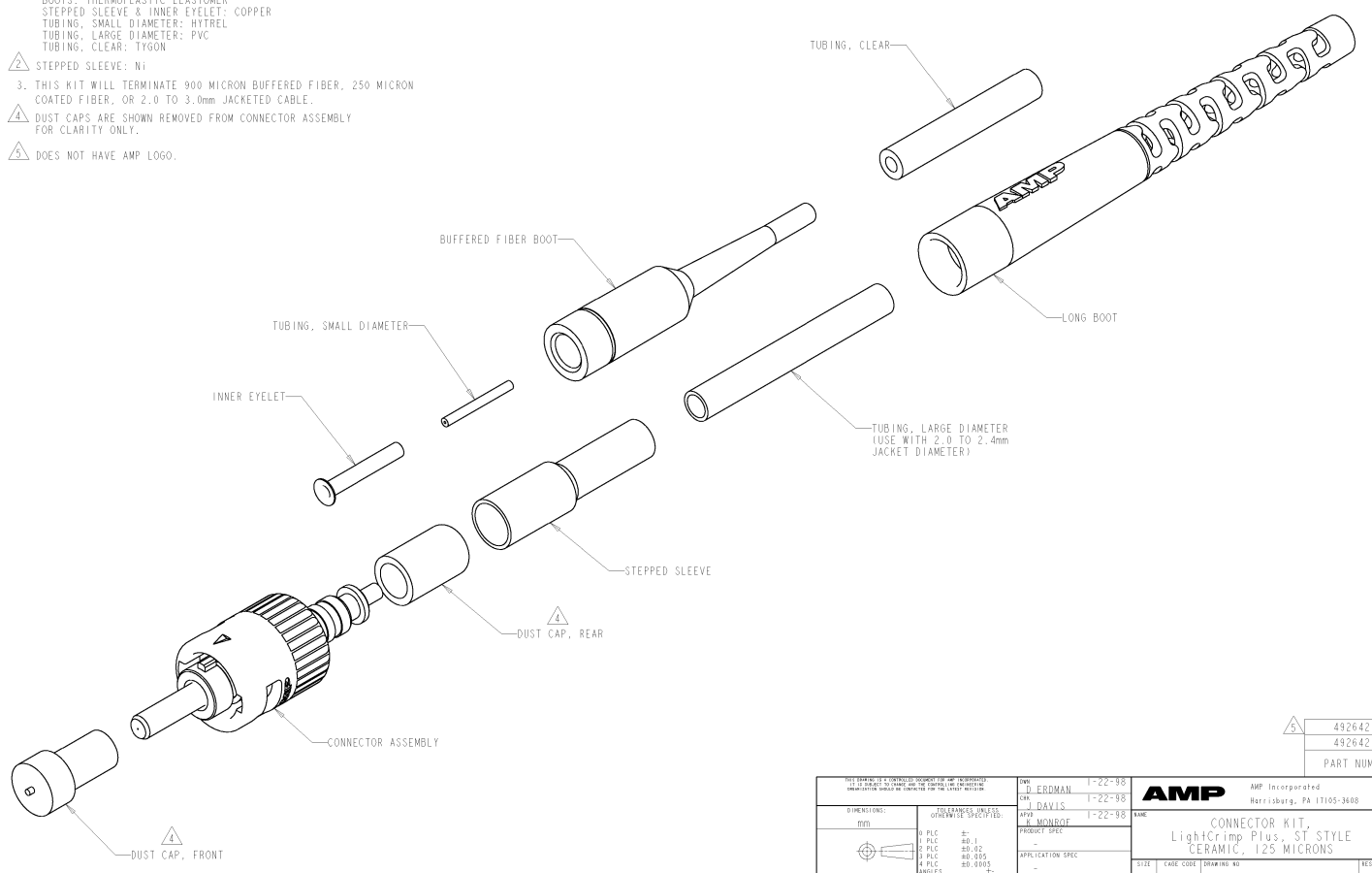
For any questions, you can email us directly:

sales@integrated-circuit.com

THIS DRAWING IS UNPUBLISHED.
 (C) COPYRIGHT © BY AMP INCORPORATED. ALL RIGHTS RESERVED.

LOC	QTY	REV	DESCRIPTION	DATE	BY	APP'D
CE	16	D	REVISED PER: 0A00-0465-02	18JUL2002	TA	BE

- ⚠ CONNECTOR ASSY: BODY AL, FERRULE CERAMIC
 BOOTS: THERMOPLASTIC ELASTOMER
 STEPPED SLEEVE & INNER EYELET: COPPER
 TUBING, SMALL DIAMETER: HYTREL
 TUBING, LARGE DIAMETER: PVC
 TUBING, CLEAR: TYGON
- ⚠ STEPPED SLEEVE: Ni
- 3. THIS KIT WILL TERMINATE 900 MICRON BUFFERED FIBER, 250 MICRON COATED FIBER, OR 2.0 TO 3.0mm JACKETED CABLE.
- ⚠ DUST CAPS ARE SHOWN REMOVED FROM CONNECTOR ASSEMBLY FOR CLARITY ONLY.
- ⚠ DOES NOT HAVE AMP LOGO.



492642-2
 492642-1
 PART NUMBER

<small>THIS DRAWING IS A TECHNICAL DOCUMENT OF AMP INCORPORATED IT IS SUBJECT TO CHANGE AND THE CUSTOMER IS RESPONSIBLE FOR THE LATEST VERSION</small>		DWG: J. ERDMAN 1-22-98 LAY: J. DAVIS 1-22-98 APPR: K. MONROE 1-22-98	AMP AMP Incorporated Harrisburg, PA 17105-8688
DIMENSIONS: mm TOLERANCES UNLESS OTHERWISE SPECIFIED: Ø PLG ±.1 Ø PLG ±.02 Ø PLG ±.005 H PLG ±.0005 FINISH: R	PRODUCT SPEC: - APPLICATION SPEC: - WEIGHT: -	NAME: CONNECTOR KIT, LightCrimp Plus, ST STYLE CERAMIC, 125 MICRONS SIZE: A2 CASE CODE: 00779 DRAWING NO: 492642	RESTRICTED TO: - SCALE: 4:1 SHEET: 1 OF 1 REV: D
MATERIAL: ⚠ FINISH: ⚠		CUSTOMER DRAWING	DATE: 18JUL2002