

Excellent Integrated System Limited

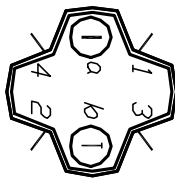
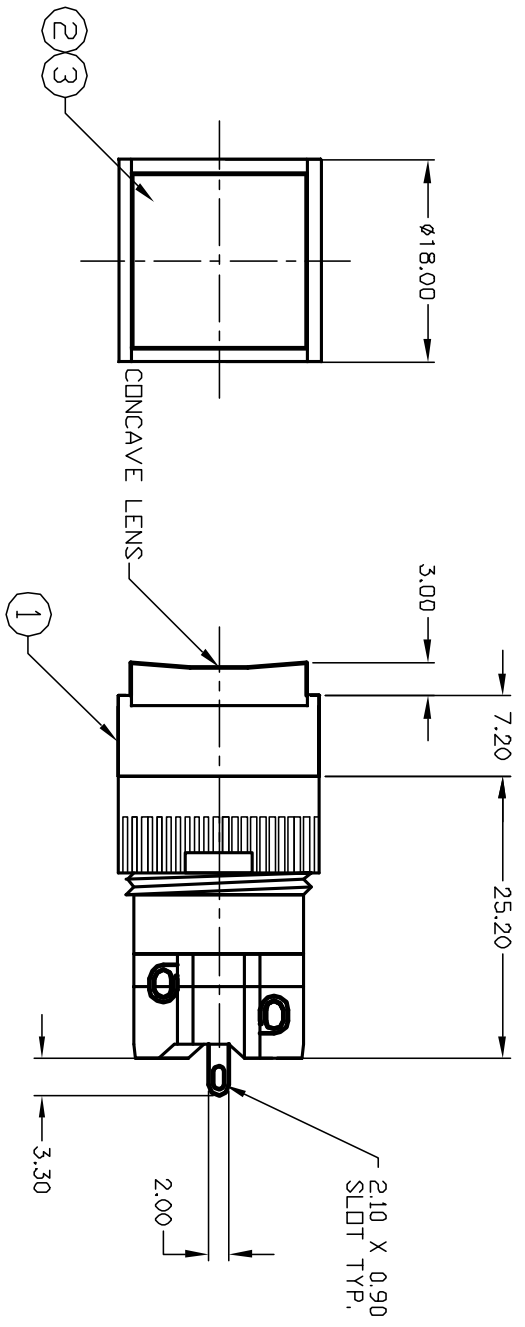
Stocking Distributor

Click to view price, real time Inventory, Delivery & Lifecycle Information:

[E-Switch](#)
[D16OAS11JYELORG](#)

For any questions, you can email us directly:

sales@integrated-circuit.com



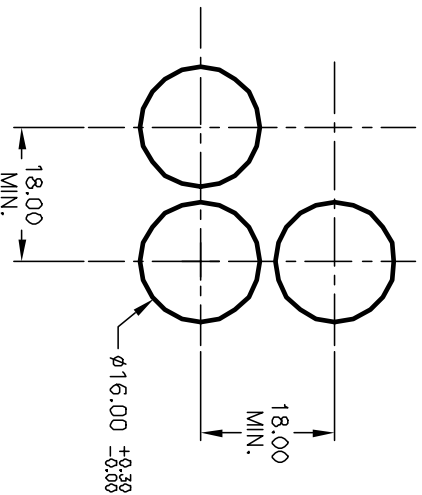
1 0 1 0 2
 3 0 0 4
 a-L-b (+)

SPST
 CONTACT CONFIGURATION

PARTS LIST			
ITEM	QTY.	PART NO.	PART DESCRIPTION
1	1	F040008	D16 OA S1 1
2	1	F050421	50-004-21 (YEL Led)
3	1	F050303	50-003-03 (Transparent ORG lens)

NOTES:

1. ALL DIMENSIONS IN MM
2. GENERAL TOLERANCE: X.X=±0.4
X.XX=±0.25
3. RATINGS: 5A @250V AC
8A @125V AC
4. TRAVEL: 3.0mm
5. CONTACT MATERIAL:
COPPER ALLOY W/Silver Plating
6. LAMP VOLTAGE: 12V



RECOMMENDED PANEL MOUNTING
 SCALE 1:1

REV.	ECN No.	DESCRIPTION	DATE	CHKD
A	12563	RELEASED FOR PRODUCTION	11/14/02	CJB

TITLE	SCALE	DATE	DR	DWG	REV
D16 OA S11 J YEL ORG TRANSPARENT/CONCAVE LENS	1.5:1	11/14/02	CB	XF0526P	A

E-SWITCH®

THE INFORMATION CONTAINED IN THIS DOCUMENT
 IS PROPRIETARY TO E-SWITCH AND IS
 NOT TO BE COPIED OR TRANSMITTED