

Excellent Integrated System Limited

Stocking Distributor

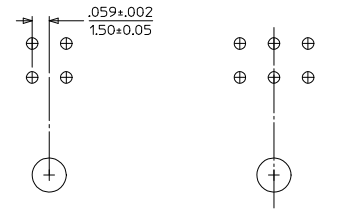
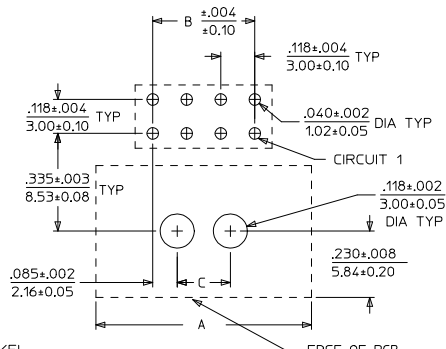
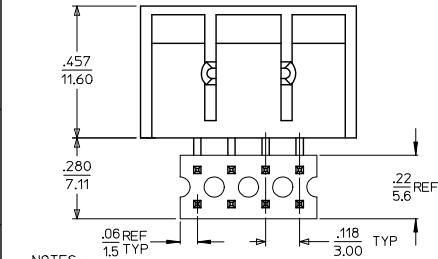
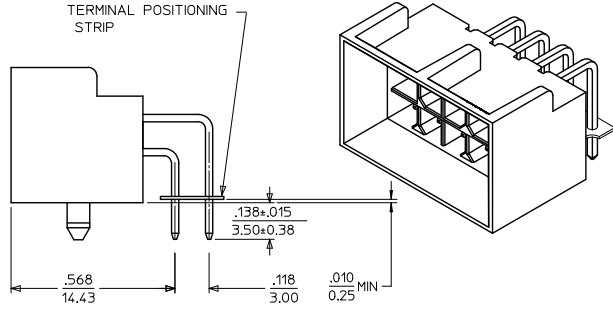
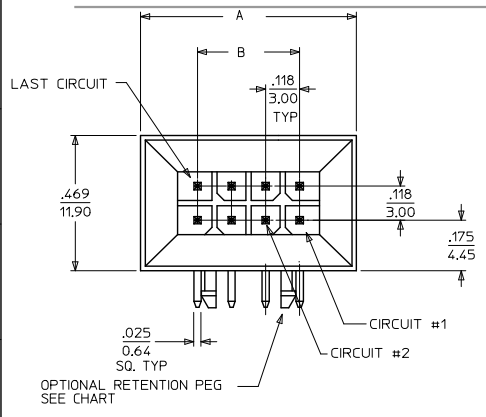
Click to view price, real time Inventory, Delivery & Lifecycle Information:

[Molex Connector Corporation](#)
[44428-0401](#)

For any questions, you can email us directly:

sales@integrated-circuit.com

CIRCUIT SIZE	A	B	C
04	.512 13.00	.118 3.00	NA
06	.630 16.00	.236 6.00	NA
08	.748 19.00	.354 9.00	.184 4.68
10	.866 22.00	.472 12.00	.302 7.68
12	.984 25.00	.590 15.00	.420 10.68
14	1.102 28.00	.709 18.00	.539 13.68
16	1.220 31.00	.827 21.00	.657 16.68
18	1.338 34.00	.945 24.00	.775 19.68
20	1.457 37.00	1.063 27.00	.893 22.68
22	1.575 40.00	1.181 30.00	1.011 25.68
24	1.693 43.00	1.299 33.00	1.129 28.68



PCB LAYOUT: COMPONENT SIDE
RECOMMENDED PCB THICKNESS .062/157
8 THRU 24 CIRCUITS

PCB LAYOUT: COMPONENT SIDE
4 CIRCUIT ONLY

PCB LAYOUT: COMPONENT SIDE
6 CIRCUIT ONLY

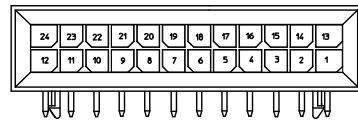
- NOTES :
- MATERIALS -
HOUSING : NYLON , GLASS-FILLED, UL94V-0 COLOR - BLACK
TERMINAL : BRASS ALLOY
TERMINAL POSITIONING STRIP : HIGH TEMPERATURE PET LAMINATE, COLOR - NATURAL
 - FINISH:
A= .000200/(0.00508) MIN. BRIGHT TIN OVER .000050/(0.00127) MIN. NICKEL.
B= .000015/(0.00038) MIN. SELECT GOLD IN CONTACT AREA, .000100/(0.00254) MIN. MATTE TIN ON SOLDER TAILS, BOTH OVER .000050/(0.00127) MIN. NICKEL.
C= .000030/(0.00076) MIN. SELECT GOLD IN CONTACT AREA, .000100/(0.00254) MIN. MATTE TIN ON SOLDER TAILS, BOTH OVER .000050/(0.00127) MIN. NICKEL.
D= .000100/(0.00254) MIN MATTE TIN OVER .000050/(0.00127) MIN NICKEL.
 - PRODUCT SPECIFICATION : PS-44300-001
 - PACKAGING SPECIFICATION : PK-44428-001
 - THIS ASSEMBLY MATES WITH MOLEX BMI PANEL MOUNT RECEPTACLE (SEE DRAWING SD-44133-001) WITH FEMALE CRIMP TERMINAL (SEE DRAWING SD-43030-****) AND BMI RECEPTACLE HEADERS (SEE DRAWING SD-44764-001 OR SD-44769-001).
 - THIS PART CONFORMS TO CLASS 'B' REQUIREMENTS OF COSMETIC SPECIFICATION PS-45499-002.

POSITION STRIP MATL EC NO: UCP2016-2887 DRAWN BY: JAF CHKD: JBF APPROV: SMTH H5	QUALITY SYMBOLS ▽=0 ▽=0 ▽=0	GENERAL TOLERANCES (UNLESS SPECIFIED)		DIMENSION STYLE		SCALE 4:1	DESIGN UNITS METRIC	THIRD ANGLE PROJECTION	TITLE MICRO FIT (3.0) DUAL ROW RIGHT ANGLE BMI HEADER ASS'Y	SHEET NO. 1 OF 2
		mm	INCH	IN/MM	DATE					
		4 PLACES	±.010	±.010	MUELLER	1999/11/29				
		3 PLACES	±.010	±.010	MUELLER	1999/11/29				
		2 PLACES	±.025	±.015	MUELLER	1999/11/29				
		1 PLACE	±.038	±.015	APPROVED BY: F SMITH	2016/02/15				
		0 PLACE	±.010	±.010						
		ANGULAR ±1/2°		MATERIAL NO.		DOCUMENT NO.		SD-44428-001		
		DRAFT WHERE APPLICABLE MUST REMAIN WITHIN DIMENSIONS		SEE CHART						
		THIS DRAWING CONTAINS INFORMATION THAT IS PROPRIETARY TO MOLEX INCORPORATED AND SHOULD NOT BE USED WITHOUT WRITTEN PERMISSION								

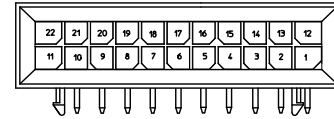
MATERIAL NUMBER	NUMBER OF CIRCUITS	FINISH OPTION	RETENTION PEG OPTION
44428-0401	04	A	YES
44428-0402	04	B	YES
44428-0403	04	C	YES
44428-0404	04	A	NO
44428-0405	04	B	NO
44428-0406	04	C	NO
44428-0407	04	D	YES
44428-0601	06	A	YES
44428-0602	06	B	YES
44428-0603	06	C	YES
44428-0604	06	A	NO
44428-0605	06	B	NO
44428-0606	06	C	NO
44428-0607	06	D	YES
44428-0801	08	A	YES
44428-0802	08	B	YES
44428-0803	08	C	YES
44428-0804	08	A	NO
44428-0805	08	B	NO
44428-0806	08	C	NO
44428-0807	08	D	YES
44428-1001	10	A	YES
44428-1002	10	B	YES
44428-1003	10	C	YES
44428-1004	10	A	NO
44428-1005	10	B	NO
44428-1006	10	C	NO
44428-1007	10	D	YES
44428-1201	12	A	YES
44428-1202	12	B	YES
44428-1203	12	C	YES
44428-1204	12	A	NO
44428-1205	12	B	NO
44428-1206	12	C	NO
44428-1207	12	D	YES
44428-1401	14	A	YES
44428-1402	14	B	YES
44428-1403	14	C	YES
44428-1404	14	A	NO
44428-1405	14	B	NO
44428-1406	14	C	NO
44428-1407	14	D	YES

MATERIAL NUMBER	NUMBER OF CIRCUITS	FINISH OPTION	RETENTION PEG OPTION
44428-1601	16	A	YES
44428-1602	16	B	YES
44428-1603	16	C	YES
44428-1604	16	A	NO
44428-1605	16	B	NO
44428-1606	16	C	NO
44428-1607	16	D	YES
44428-1801	18	A	YES
44428-1802	18	B	YES
44428-1803	18	C	YES
44428-1804	18	A	NO
44428-1805	18	B	NO
44428-1806	18	C	NO
44428-1807	18	D	YES
44428-2001	20	A	YES
44428-2002	20	B	YES
44428-2003	20	C	YES
44428-2004	20	A	NO
44428-2005	20	B	NO
44428-2006	20	C	NO
44428-2007	20	D	YES
44428-2201	22	A	YES
44428-2202	22	B	YES
44428-2203	22	C	YES
44428-2204	22	A	NO
44428-2205	22	B	NO
44428-2206	22	C	NO
44428-2207	22	D	YES
44428-2401	24	A	YES
44428-2402	24	B	YES
44428-2403	24	C	YES
44428-2404	24	A	NO
44428-2405	24	B	NO
44428-2406	24	C	NO
44428-2407	24	D	YES

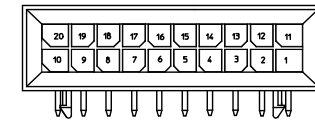
POLARIZATION LAYOUT
4-24 CIRCUITS



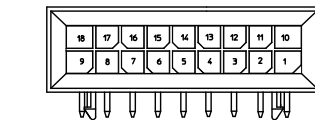
24 CIRCUIT



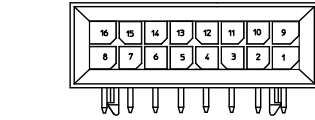
22 CIRCUIT



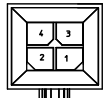
20 CIRCUIT



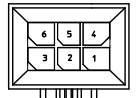
18 CIRCUIT



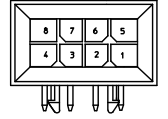
16 CIRCUIT



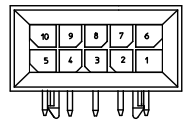
4 CIRCUIT



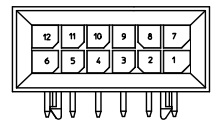
6 CIRCUIT



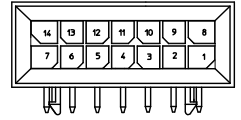
8 CIRCUIT



10 CIRCUIT



12 CIRCUIT



14 CIRCUIT

SEE SHEET 1 EC NO: UCP2016-2887 DRAWN: J. AFTER CHKD: J. FOX APPR: S. MITH 2016/01/20 2016/01/20 2016/02/15	QUALITY SYMBOLS ∇=0 ∇=0 ∇=0	GENERAL TOLERANCES (UNLESS SPECIFIED)		DIMENSION STYLE IN/MM		SCALE 4:1	DESIGN UNITS METRIC	THIRD ANGLE PROJECTION	
		4 PLACES ± --- ± ---		DRAWN BY MUELLER DATE 1999/11/29		MICRO FIT (3.0) DUAL ROW RIGHT ANGLE BMI HEADER ASS'Y 			
		3 PLACES ± --- ± .010		CHECKED BY MUELLER DATE 1999/11/29					
		2 PLACES ± 0.25 ± .015		APPROVED BY DATE					
1 PLACE ± 0.38 ± ---		MATERIAL NO. 2016/02/15							
0 PLACE ± --- ± ---		ANGULAR ± 1/2°		DOCUMENT NO. SD-44428-001		SHEET NO. 2 OF 2			
DRAFT WHERE APPLICABLE MUST REMAIN WITHIN DIMENSIONS				SEE CHART		THIS DRAWING CONTAINS INFORMATION THAT IS PROPRIETARY TO MOLEX INCORPORATED AND SHOULD NOT BE USED WITHOUT WRITTEN PERMISSION			