

Excellent Integrated System Limited

Stocking Distributor

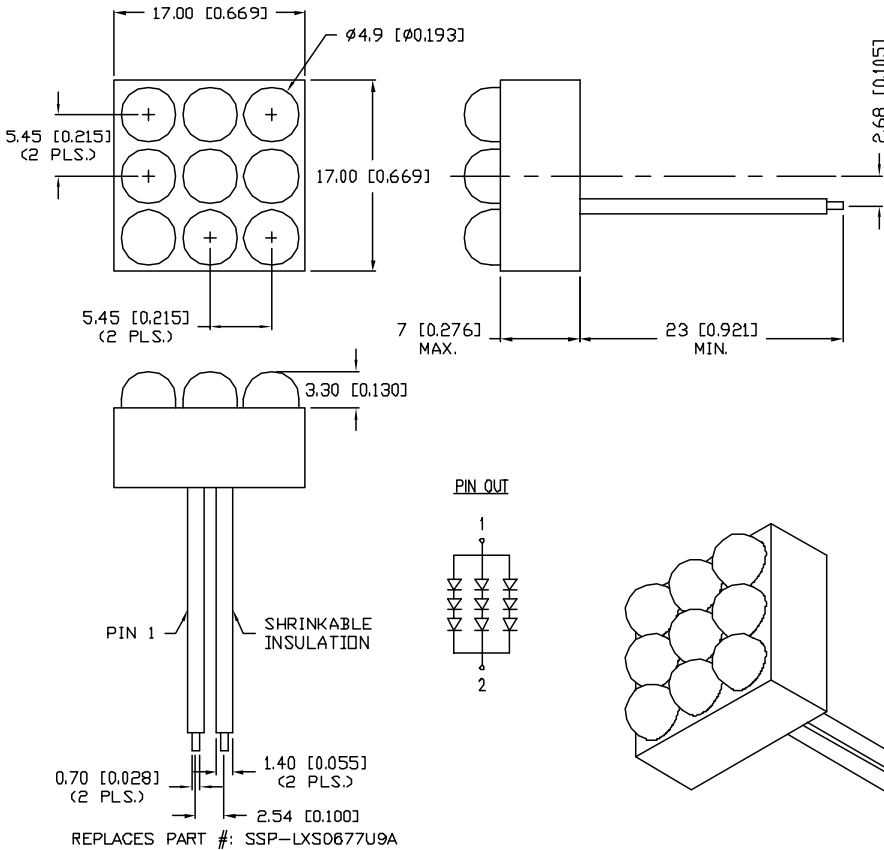
Click to view price, real time Inventory, Delivery & Lifecycle Information:

[Lumex, Inc.](#)
[SSP-LXS0677U9](#)

For any questions, you can email us directly:
sales@integrated-circuit.com

UNCONTROLLED DOCUMENT

| | | |
|---------------|-------------------------------------|--------|
| PART NUMBER | | REV. |
| SSP-LXS0677U9 | | A |
| REV. | E.C.N. NUMBER AND REVISION COMMENTS | DATE |
| A | E.C.N. #10726. & #10BRDR. | 4.5.01 |



ELECTRO-OPTICAL CHARACTERISTICS $T_A=25^{\circ}\text{C}$ $I_f=60\text{mA}$

| PARAMETER | MIN | TYP | MAX | UNITS | TEST COND |
|--------------------|-------------|------|------|----------|----------------------|
| PEAK WAVELENGTH | | 470 | | nm | |
| FORWARD VOLTAGE | | 10.5 | 12.0 | V_f | |
| REVERSE VOLTAGE | 5.0 | | | V_r | $I_r=100\mu\text{A}$ |
| AXIAL INTENSITY * | | 4000 | | mod | $I_f=90\text{mA}$ |
| VIEWING ANGLE | | 45 | | 2x theta | |
| EMITTED COLOR: | ULTRA BLUE | | | | |
| EPOXY LENS FINISH: | WATER CLEAR | | | | |

* INTENSITY PER DIE.


LIMITS OF SAFE OPERATION AT 25°C PER DIE

| PARAMETER | MAX | UNITS |
|--------------------------|------------|------------|
| PEAK FORWARD CURRENT* | 100 | mA |
| STEADY CURRENT | 30 | mA |
| POWER DISSIPATION | 25 | mW |
| DERATE FROM 25°C | -1.0 | mW/°C |
| OPERATING, STORAGE TEMP. | -30 TO +70 | °C |
| SOLDERING TEMP. | +260 | °C |
| 2.0mm FROM BODY | | 3 SEC. MAX |

* $t < 10\mu\text{s}$

CAUTION: STATIC SENSITIVE DEVICE
 FOLLOW PROPER E.S.D. HANDLING PROCEDURES
 WHEN WORKING WITH THIS PART.
 ESD CLASSIFICATION: CLASS II BASED ON MIL-STD 883E.

UNCONTROLLED DOCUMENT

| | | | |
|--|------------------------------|--|--|
| REV. A | PART NUMBER SSP-LXS0677U9 | <p>CONFIDENTIAL INFORMATION THE INFORMATION CONTAINED IN THIS DOCUMENT IS THE PROPERTY OF SUNBRITE LEDS. EXCEPT AS SPECIFICALLY AUTHORIZED IN WRITING BY SUNBRITE LEDS, THE HOLDER OF THIS DOCUMENT SHALL KEEP ALL INFORMATION CONTAINED HEREIN CONFIDENTIAL AND SHALL PROTECT SAME IN WHOLE OR IN PART FROM DISCLOSURE AND DISSEMINATION TO ALL THIRD PARTIES.</p> <p>RELIABILITY NOTICE OUR MANY YEARS OF EXPERIENCE DATA ACCUMULATION INDICATE THAT SOLDER HEAT IS A MAJOR CAUSE OF EARLY AND FUTURE FAILURE. PLEASE PAY ATTENTION TO YOUR SOLDERING PROCESS.</p> |  <p>286 E. HELEN ROAD PALATINE, IL 60067-6976 PHONE: +1.847.359.2790 FAX: +1.847.359.2867 WEB: www.sunbriteleds.com</p> |
| 0.67" SQUARE, 9 LAMP POLYLED, COMMON ANODE, 470nm InGaN/SiC BLUE LEDES, WATER CLEAR LENS. | | DRAWN: BC CHECKED: APPROVED: DATE: 1.13.00 PAGE: 1 OF 1 | |