

## Excellent Integrated System Limited

Stocking Distributor

Click to view price, real time Inventory, Delivery & Lifecycle Information:

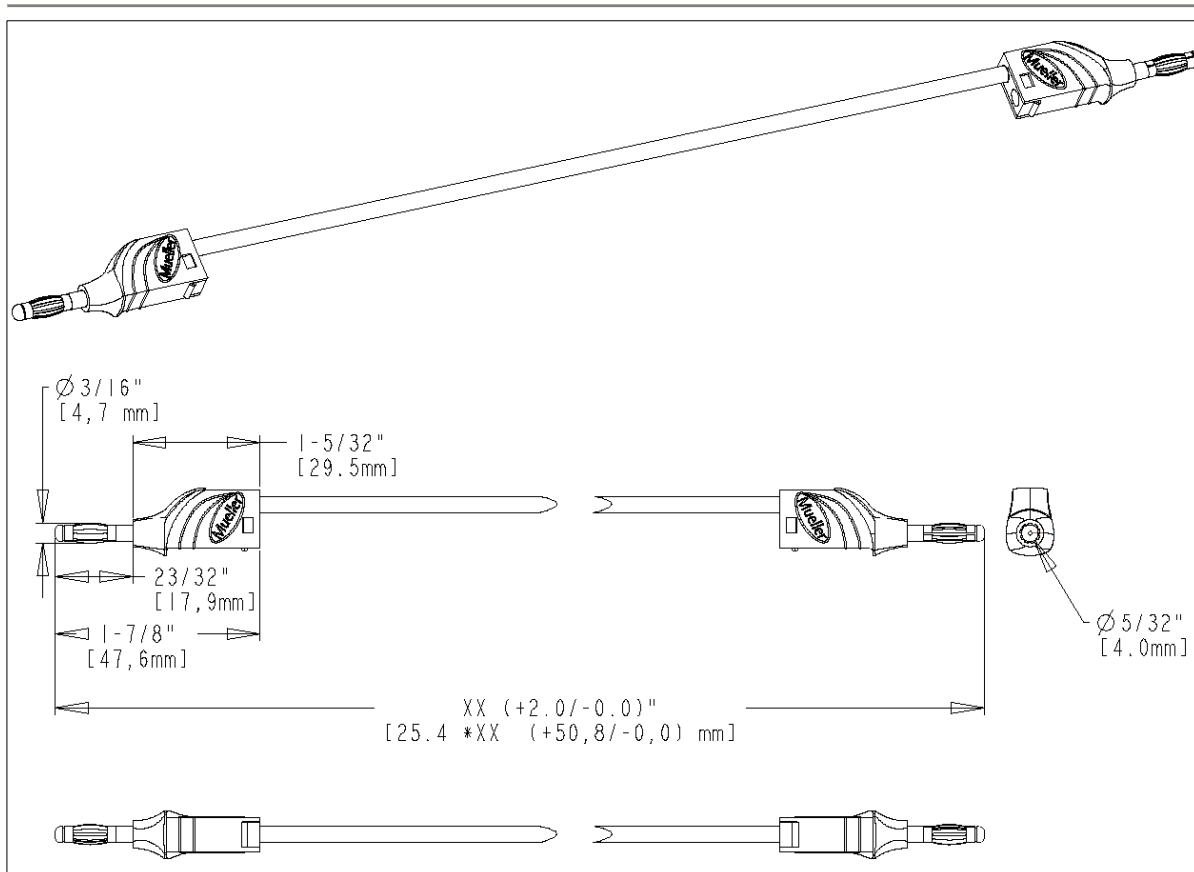
[Mueller Electric Co.](#)  
[BU-2929-M-39-0](#)

For any questions, you can email us directly:

[sales@integrated-circuit.com](mailto:sales@integrated-circuit.com)



**Part Number: BU-2929-M-XX-X**  
**Description: Testlead, 4mm Stackable Bananas on Silicone Wire**



- Provides hands free testing up to 3kV and 20 Amps
- Compatible with any 4mm banana jacks and can be stacked with any non-shrouded or retractable banana plugs
- Order as BU-2929-M-XX-\*, where "XX" is the length and "\*" is the color
  - "XX" - Standard lengths are 10", 20", and 39"
  - "\*" - Standard colors are 0=Black, and 2=Red
- Material:
  - Wire: 18 AWG (413/44), UL 3577, 105°C High Flex Silocone Jacket
  - Housing: High Temperature Nylon
  - Banana Plugs: Nickel plated Brass
- Packaged in Bulk
- RoHS Compliant