

Excellent Integrated System Limited

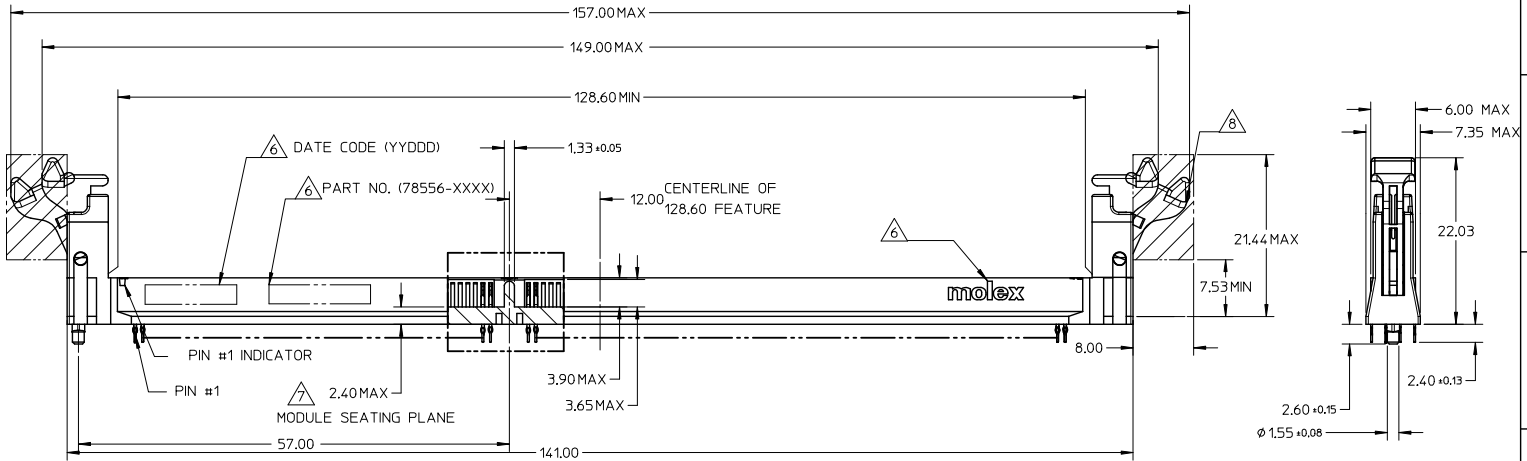
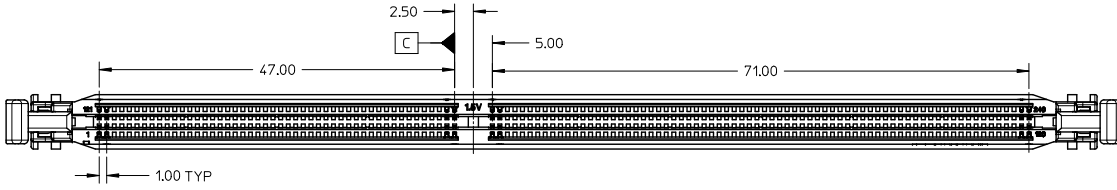
Stocking Distributor

Click to view price, real time Inventory, Delivery & Lifecycle Information:

[Molex Connector Corporation](#)
[0785565061](#)

For any questions, you can email us directly:
sales@integrated-circuit.com

10 9 8 7 6 5 4 3 2 1



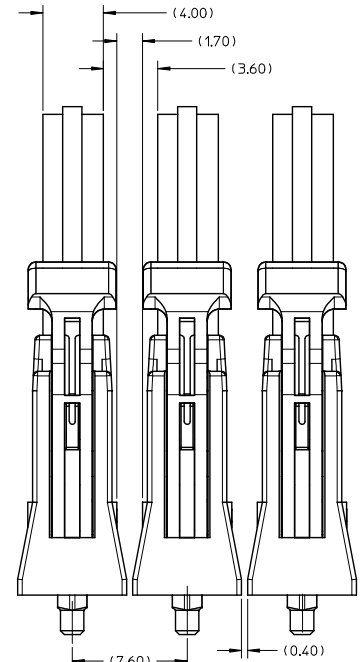
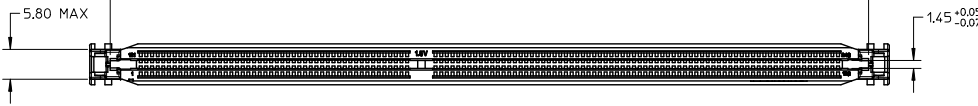
NOTES:

- MATERIAL:
HOUSING - POLYAMIDE (PA) GLASS FILLED, UL 94V-0, COLOR - SEE TABLE
LATCH - POLYAMIDE (PA) GLASS FILLED, UL 04V-0, COLOR - SEE TABLE
TERMINAL - COPPER ALLOY
 - FINISHES: TERMINAL PLATING SEE TABLE ON SHEET 5
 - PRODUCT SPECIFICATION: PS-78556-001
 - PACKAGING SPECIFICATION: PRODUCT SHALL BE PACKED IN TRAYS
 - CARD SLOT ACCEPTS 1.27 +/- 0.10MM MODULE THICKNESS (MEASURED FROM PC PADS)
- ⚠ MOLEX LOGO, DATE & PART NUMBERS INDICATED ON HOUSING
 ⚠ MODULE SEATING PLANE FROM TOP OF PCB
 ⚠ KEEP OUT ZONE RESERVED FOR LATCH

AMEND PCB DIM EC NO. S2013-0772 DRAWN: CTEH CHKD: CGTAN APPR: SHLENI 2012/11/19 2013/06/03 2013/06/03	QUALITY SYMBOLS √=0 √=0 √=0	GENERAL TOLERANCES (UNLESS SPECIFIED)		DIMENSION STYLE MM ONLY		SCALE NTS	DESIGN UNITS METRIC	THIRD ANGLE PROJECTION
		4 PLACES ± --- ± --- 3 PLACES ± --- ± --- 2 PLACES ± 0.20 ± --- 1 PLACE ± --- ± --- 0 PLACE ± ±	mm INCH ± --- ± --- ± 0.20 ± --- ± --- ± --- ± ±	DRAWN BY CTEH CHECKED BY CGTAN APPROVED BY SHLENI	DATE 2011/04/26 DATE 2011/06/22 DATE 2011/06/29	TITLE 1MM DDR3 LSP ST. LATCH 240CKTS VERT. PF LLLCR	MATERIAL NO. SEE TABLE	DOCUMENT NO. SD-78556-002
DRAFT WHERE APPLICABLE WITHIN DIMENSIONS		ANGULAR ± 1 °		SIZE A 3		THIS DRAWING CONTAINS INFORMATION THAT IS PROPRIETARY TO MOLEX INCORPORATED AND SHOULD NOT BE USED WITHOUT WRITTEN PERMISSION		

9 8 7 6 5 4 3 2 1

10 9 8 7 6 5 4 3 2 1



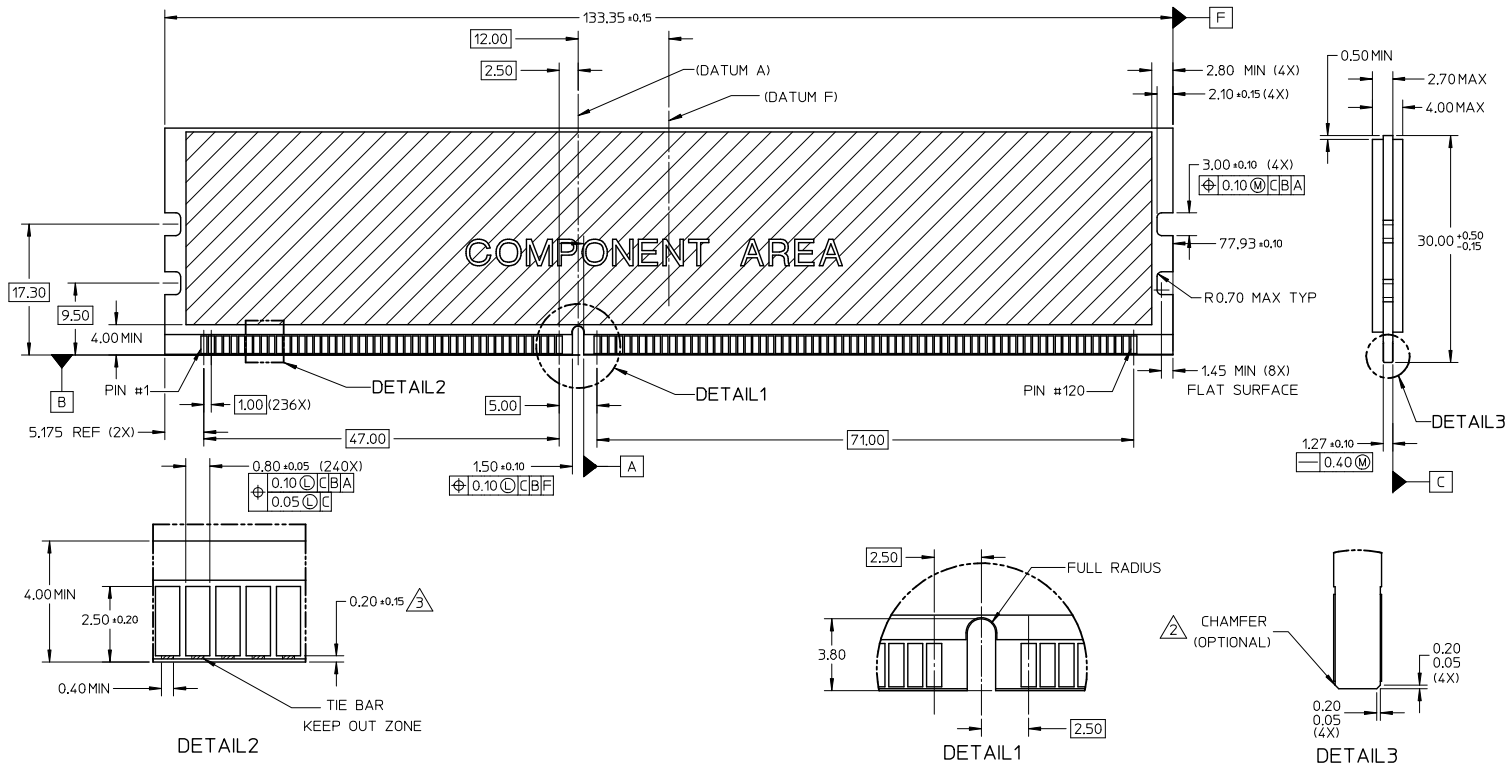
MINIMUM ROW TO ROW SPACING RECOMMENDATION
(USING 4.00MM MODULE CARD)

AMEND PCB DIM EC NO: S2013-0772	2012/11/19	DRAWN/CCTEH	CHKD:CGTAN	APPR:SHLENI	2013/06/03	DESCRIPTION	QUALITY SYMBOLS	GENERAL TOLERANCES (UNLESS SPECIFIED)		DIMENSION STYLE		SCALE	DESIGN UNITS	THIRD ANGLE PROJECTION	
								mm	INCH	MM ONLY	NTS	METRIC			
REV	2	DRAWN/CCTEH	CHKD:CGTAN	APPR:SHLENI	2013/06/03	DESCRIPTION	QUALITY SYMBOLS	4 PLACES	±	---	±	---	DRAWN BY	DATE	TITLE
								3 PLACES	±	---	±	---	CCTEH	2011/04/26	1MM DDR3 LSP ST. LATCH 240CKTS VERT. PF LLLCR
								2 PLACES	±	0.20	±	---	CHECKED BY	DATE	
								1 PLACE	±	---	±	---	CGTAN	2011/06/22	
0 PLACE	±	---	±	---	APPROVED BY	DATE	molex								
								ANGULAR ± 1 °		MATERIAL NO.		DOCUMENT NO.		SHEET NO.	
DRAFT WHERE APPLICABLE MUST REMAIN WITHIN DIMENSIONS								SEE TABLE		SD-78556-002		2 OF 5			
								SIZE		THIS DRAWING CONTAINS INFORMATION THAT IS PROPRIETARY TO MOLEX INCORPORATED AND SHOULD NOT BE USED WITHOUT WRITTEN PERMISSION					

9 8 7 6 5 4 3 2 1

10 9 8 7 6 5 4 3 2 1

MODULE CARD
DDR3 DUAL IN-LINE MEMORY MODULE FAMILY 1.00MM CONTACT CENTERS
(JEDEC MO-269, ISSUE B, MAY 06)

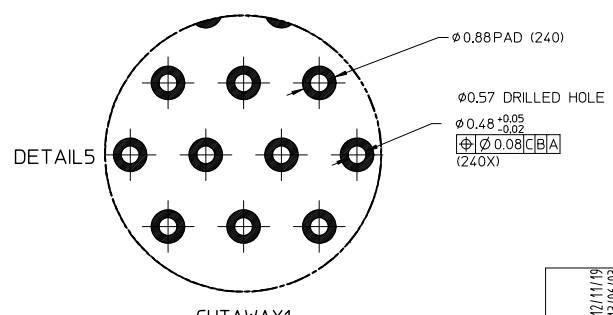
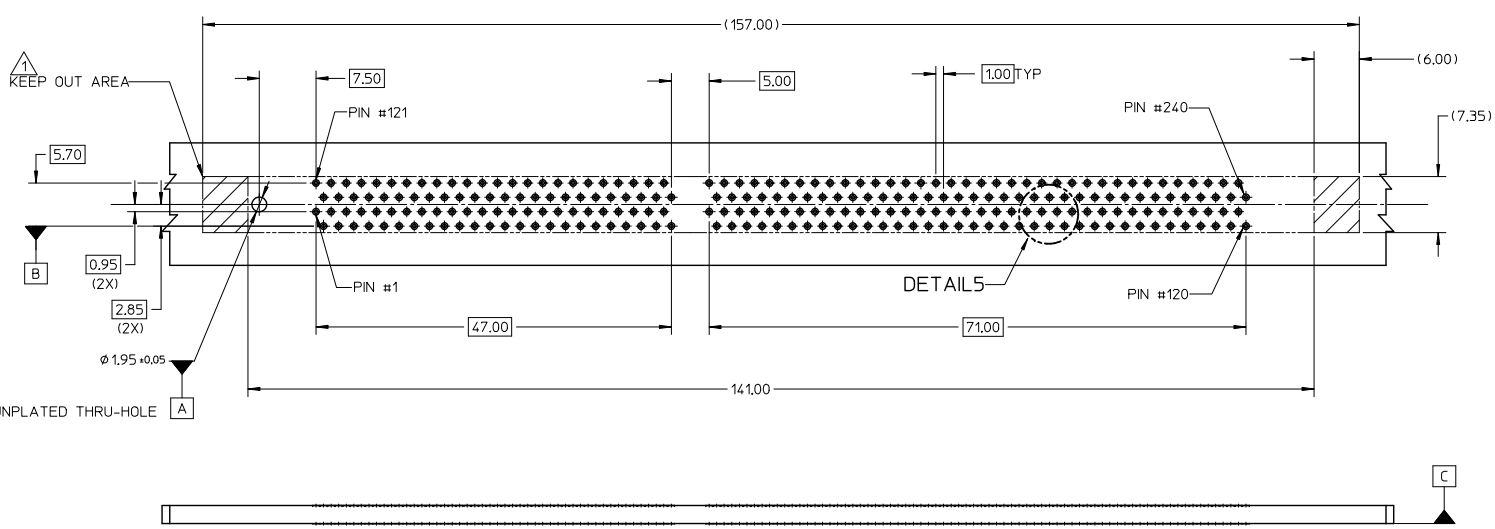


- NOTES:
- RECOMMENDED PLATING FOR CONTACT PADS:
PREFERRED: 0.76 MICROMETERS GOLD PLATING MIN OVER 2.00 MICROMETERS NICKEL
ALTERNATIVE: 0.05-0.75 MICROMETERS GOLD PLATING OVER 2.00 MICROMETERS NICKEL MUST USE AN ELECTRONIC CONTACT GRADE CORROSIVE BARRIER LUBRICANT
 - CHAMFER IS OPTIONAL AND IS NOT TO HIT THE GOLD PADS
 - LEADING EDGE OF GOLD PADS SPECIFIED BY KEEPOUT ZONE SHALL BE FREE OF BURRS AND EXTERNAL TIE BARS.

REV	DESCRIPTION	QUALITY SYMBOLS	GENERAL TOLERANCES (UNLESS SPECIFIED)		DIMENSION STYLE		SCALE	DESIGN UNITS	THIRD ANGLE PROJECTION
			mm	INCH	MM ONLY	DATE			
1	AMEND PCB DIM	▽=0	4 PLACES ±	±	DRAWN BY	DATE	1MM DDR3 LSP ST. LATCH 240CKTS VERT. PF LLLCR	metric	THIRD ANGLE PROJECTION
2	EC NO: S2013-0772	▽=0	3 PLACES ±	±	CCTEH	2011/04/26			
	DRWN: CCTEH	▽=0	2 PLACES ±	±	CHEKED BY	DATE			
	CHKD: CGTAN	▽=0	1 PLACE ±	±	CGTAN	2011/06/22			
	APPR: SHLENI		0 PLACE ±	±	APPROVED BY	DATE			
			ANGULAR ± 1°		MATERIAL NO.				
			DRAFT WHERE APPLICABLE MUST REMAIN WITHIN DIMENSIONS		SEE TABLE				
					SIZE				
					THIS DRAWING CONTAINS INFORMATION THAT IS PROPRIETARY TO MOLEX INCORPORATED AND SHOULD NOT BE USED WITHOUT WRITTEN PERMISSION				

9 8 7 6 5 4 3 2 1

10 9 8 7 6 5 4 3 2 1



NOTES:
KEEPOUT AREA IS THE AREA WHERE THE CONNECTOR (INCLUDING LATCH) IS MOUNTED ON THE PCB

AMEND PCB DIM EC NO: S2013-0772 2	DRAWN/CHEK 2012/11/19 CHKD:CGTAN 2013/06/03 APPR: SHLENI 2013/06/03	DESCRIPTION	QUALITY SYMBOLS	GENERAL TOLERANCES (UNLESS SPECIFIED)		DIMENSION STYLE		SCALE	DESIGN UNITS	THIRD ANGLE PROJECTION
				mm	INCH	MM ONLY	NTS	METRIC		
				4 PLACES	±---	±---	DRAWN BY	DATE	TITLE	
				3 PLACES	±---	±---	CCTEH	2011/04/26	1MM DDR3 LSP ST. LATCH	
				2 PLACES	±0.20	±---	CHEKED BY	DATE	240CKTS VERT. PF LLLCR	
				1 PLACE	±---	±---	CGTAN	2011/06/22		
				0 PLACE	±	±	APPROVED BY	DATE		
							SHLENI	2011/06/29		
							MATERIAL NO.	DOCUMENT NO.		SHEET NO.
							SEE TABLE	SD-78556-002		4 OF 5
							THIS DRAWING CONTAINS INFORMATION THAT IS PROPRIETARY TO MOLEX INCORPORATED AND SHOULD NOT BE USED WITHOUT WRITTEN PERMISSION			

9 8 7 6 5 4 3 2 1

10 9 8 7 6 5 4 3 2 1

PART NO.	KEY POS.	RECOMMENDED PCB THICKNESS	PLATING OPTION		LATCH COLOUR	HOUSING COLOUR
			CONTACT AREA	TAIL AREA		
78556-5001	CENTER (1.5V)	3.00	0.76 MICROMETER/ 30 MICROINCH MIN. GOLD OVER 1.27 MICROMETER/ 50 MICROINCH MIN. NICKEL UNDERPLATE	0.38 TO 1.52 MICROMETER/15 TO 60 MICROINCH MIN TIN (MATT) OVER 1.27 MICROMETER/ 50 MICROINCH MIN. NICKEL UNDERPLATE	BLACK	BLACK
78556-5051					BLUE	BLUE
78556-5061					NATURAL	NATURAL

AMEND PCB DIM EC. NO. S2013-0772 DRAWN/CHEK 2012/11/19 CHKD/CGTAN 2013/06/03 APPR: SHLENI 2013/06/03	QUALITY SYMBOLS	GENERAL TOLERANCES (UNLESS SPECIFIED)		DIMENSION STYLE MM ONLY		SCALE NTS	DESIGN UNITS METRIC	THIRD ANGLE PROJECTION
	$\nabla=0$	mm	INCH	DRAWN BY	DATE	TITLE	molex 1MM DDR3 LSP ST. LATCH 240CKTS VERT. PF LLLCR SD-78556-002 SHEET NO. 5 OF 5	
	$\nabla=0$	4 PLACES ± --- ± ---	CGTEH	2011/04/26				
	$\nabla=0$	3 PLACES ± --- ± ---	CHEKED BY	DATE				
	$\nabla=0$	2 PLACES ± 0.20 ± ---	CGTAN	2011/06/22				
$\nabla=0$	1 PLACE ± --- ± ---	APPROVED BY	DATE					
	0 PLACE ± ±	SHLENI	2011/06/29	MATERIAL NO.	SEE TABLE	DOCUMENT NO.	SD-78556-002	
	ANGULAR ± 1 °	DRAFT WHERE APPLICABLE MUST REMAIN WITHIN DIMENSIONS		SIZE	A3	THIS DRAWING CONTAINS INFORMATION THAT IS PROPRIETARY TO MOLEX INCORPORATED AND SHOULD NOT BE USED WITHOUT WRITTEN PERMISSION		

9 8 7 6 5 4 3 2 1