

Excellent Integrated System Limited

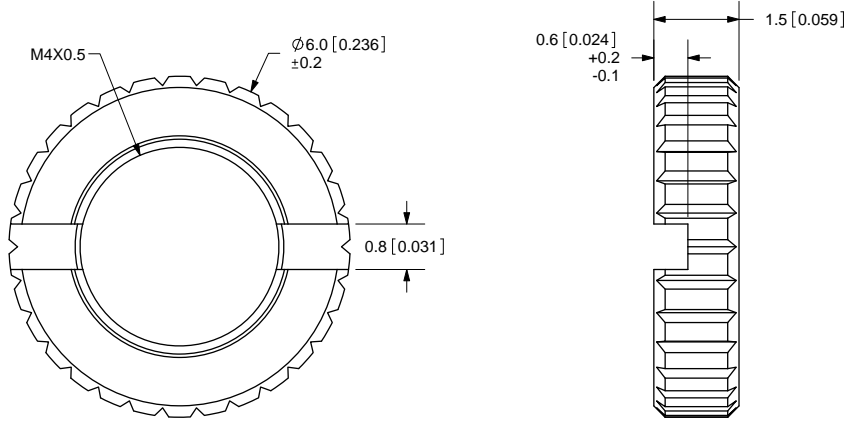
Stocking Distributor

Click to view price, real time Inventory, Delivery & Lifecycle Information:

[CUI Inc.](#)
[2.5MM-NUT-E](#)

For any questions, you can email us directly:
sales@integrated-circuit.com

REV.	DESCRIPTION	DATE
A	NEW DRAWING	11/11/2009



TOLERANCE:
 $\pm 0.1\text{mm}$ UNLESS OTHERWISE
SPECIFIED



CUI INC

20050 SW 112th Ave.
Tualatin, OR 97062
Phone: 503-612-2300
800-275-4899
Fax: 503-612-2383
Website: www.cui.com

TITLE: M4X0.5 NUT		REV: A
PART NO. 2.5mm-nut-e	UNITS: MM [INCHES]	
DRAWN BY: ZRJ	APPROVED BY:	SCALE: 10:1

PC FILE NAME:
2.5mm-nut-e

COPYRIGHT 2009
BY CUI INC.

MATERIAL	PLATING	COLOR
NUT	Brass	Nickel
		Silver