

Excellent Integrated System Limited

Stocking Distributor

Click to view price, real time Inventory, Delivery & Lifecycle Information:

[Visual Communications Company, LLC](#)

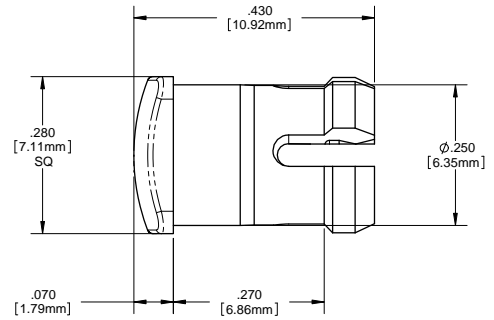
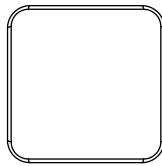
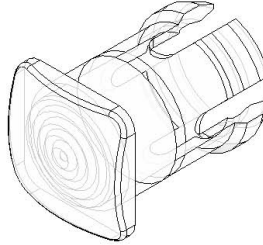
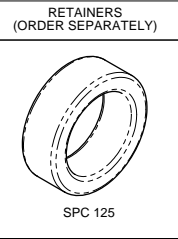
[SQB_400_ATP](#)

For any questions, you can email us directly:

sales@integrated-circuit.com

- NOTES:
1. MOUNTING: Mounts in a $\phi .250 \pm .002$ [$\phi 6.35\text{mm} \pm .05$] panel hole on .375 [9.5mm] centers. Panel thickness .031 [.8mm] to .250 [6.35mm]. Panel hole should be deburred, but not chamfered.
 2. ASSEMBLY: Insert lens through panel hole, (for thin panels less than .188 [4.75mm] thick, slide SPC 125 spacer on back of lens), and insert LED into lens.
 3. MATERIAL: Polycarbonate, UL 94-V2
 4. U.S. & Foreign Pat. Issued & Pend.

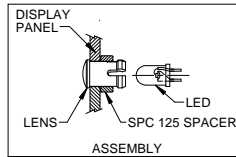
REVISIONS				
ECN#	REV.	DESCRIPTION	DATE	INITIALS
	001	REVISED PER ECR111009A201	4-23-10	SMU



ORDERING CODE: **SOB 400 XXX**

MODEL

LENS COLOR	
RTP	RED TRANSPARENT
ATP	AMBER TRANSPARENT
GTP	GREEN TRANSPARENT
BTP	BLUE TRANSPARENT
YTP	YELLOW TRANSPARENT
CTP	CLEAR TRANSPARENT



<small>UNLESS OTHERWISE SPECIFIED DIMENSIONS ARE IN INCHES</small> ANGLES DECIMALS <small>1" = 25.4</small> FINISH XXX ± .005	MATERIAL POLYCARBONATE, UL 94-V2	VISUAL COMMUNICATIONS COMPANY, INC. 190 Bostwick Boulevard, Suite 101, San Marcos, CA 92069 USA Phone: (760) 950-1300 Fax: (760) 950-1301 email: vccsales@vcc.com
	FINISH SEE NOTES	TITLE: 5MM SQUARE LOW PROFILE FRESNEL LENS
<small>FOR APPROVAL AND SIGNATURE THE APPROVED DIMENSIONS SHALL BE THE DIMENSIONS OF THE PARTS MANUFACTURED BY THE APPROVED MANUFACTURER OF THE PARTS.</small>	APPROVAL DATE DRAWN: SMU 4-23-10 CHECKED: DJ 4-23-10 DO NOT SCALE DRAWING	SIZE DWG. NO. REV B SQB 400 XXX 001 SCALE: 1:1 SHEET 1 OF 1