

## Excellent Integrated System Limited

Stocking Distributor

Click to view price, real time Inventory, Delivery & Lifecycle Information:

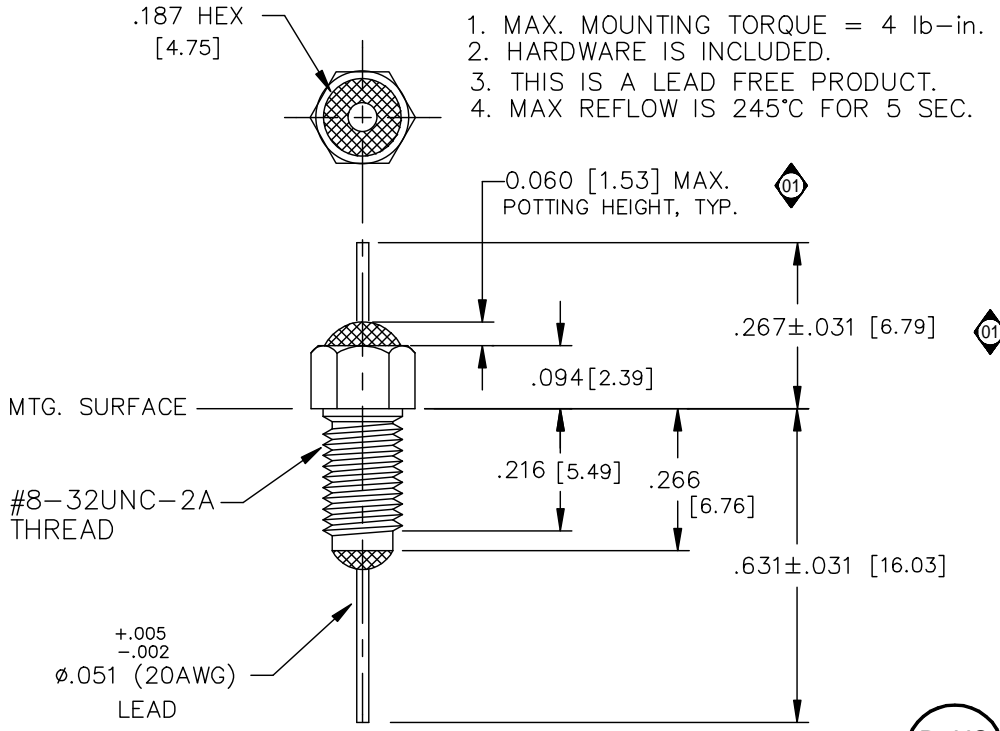
[API Technologies Corp](#)  
[54F-713-104](#)

For any questions, you can email us directly:

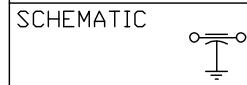
[sales@integrated-circuit.com](mailto:sales@integrated-circuit.com)

NOTES:

1. MAX. MOUNTING TORQUE = 4 lb-in.
2. HARDWARE IS INCLUDED.
3. THIS IS A LEAD FREE PRODUCT.
4. MAX REFLOW IS 245°C FOR 5 SEC.



LEAD FINISH: TIN/SILVER	
BUSHING FINISH: SILVER	
CAPACITANCE	100pF±20%
TEMP. RANGE	-55°C TO 85°C
CURRENT	20 AMP MAX.
WORKING VOLTAGE	125°C 300 VDC -----
D.C. RESISTANCE	.01ohms MAX.
MIN. I.L. PER MIL-STD-220 AT 25°C NO LOAD	
FREQ. MHz	.L. (db)
300	10
1 GHz	20
10 GHz	25



MARKING:

PART: SF104  
 BAG PACK:  
 54F-713-104  
 DATE CODE  
 QTY./BAG  
 (200/BAG MAX.)



			01	00	REV. NO.	UNLESS OTHERWISE SPECIFIED DIMENSIONS ARE IN INCHES. [MILLIMETERS] DO NOT SCALE.	TOLERANCES UNLESS OTHERWISE SPECIFIED Fractions ± 1/64 Dec. .xx± Dec. .xxx±.010 Angles ±0° 30'	 SPECTRUM CONTROL INC. ERIE, FAIRVIEW PENNSYLVANIA
			CN 27958-CPD	CN 18635-CPD	CHANGE NOTICE			
						THIRD ANGLE PROJECTION	CODE IDENT. NO. OLSP2	