

Excellent Integrated System Limited

Stocking Distributor

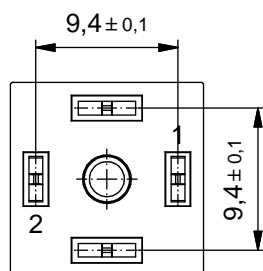
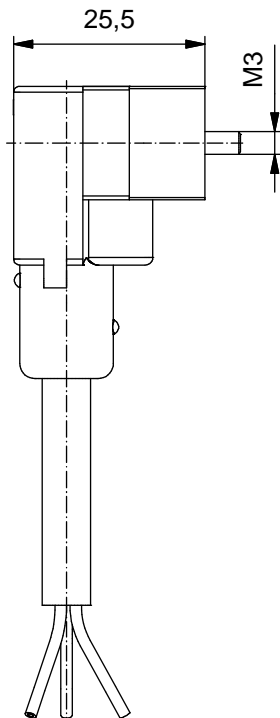
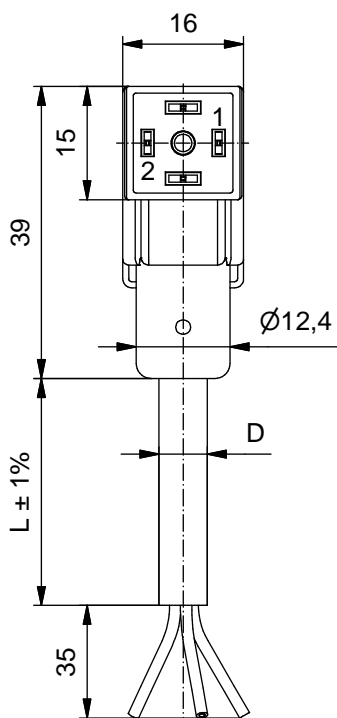
Click to view price, real time Inventory, Delivery & Lifecycle Information:

[Conec](#)

[55-00240](#)

For any questions, you can email us directly:

sales@integrated-circuit.com

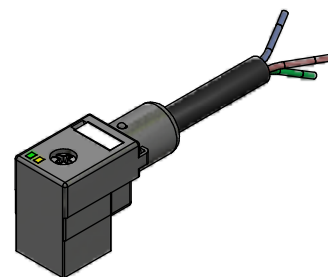


Technical specification :

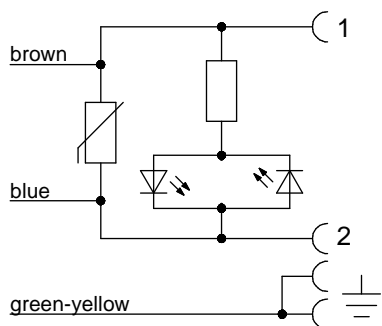
| | |
|-----------------------|---------------------------|
| Rated voltage: | 24 V AC / DC |
| Current rating: | 4 A at 40°C |
| IEC 60512-5-2 5b | |
| Pollution degree: | 3 |
| IEC 60664-1 | |
| Degree of protection: | IP 67, in mated condition |
| IEC 60529 | |
| Temperature range: | -25°C ... +80°C |
| IEC 60664-1 | |
| Mating cycles: | >50 |
| DIN EN 175301-803 | |

Materials:

| | |
|------------------|-------------------------|
| Contact: | CuZn |
| Contact plating: | Nickel, stannous plated |
| Contact carrier: | PA GF, UL 94 |
| Moulding body: | TPU, UL 94, transparent |



Contact assignment:



| Part no: | Description: | Length L: | Cable: |
|----------|--|-----------|--|
| 55-00239 | SAL - C9 - V2PEG - 0 - 124 - 2 / H2 | 2m | PUR/PVC, black, 3x0,5mm ² Cable: 781-H25300 |
| 55-00028 | SAL - C9 - V2PEG - 0 - 124 - 3 / H2 | 3m | |
| 55-00029 | SAL - C9 - V2PEG - 0 - 124 - 5 / H2 | 5m | |
| 55-00042 | SAL - C9 - V2PEG - 0 - 124 - 10 / H2 | 10m | |
| 55-00240 | SAL - C9 - V2PEG - 0 - 124 - 2 / A2 | 2m | PVC, black, 3x0,5mm ² Cable: - |
| 55-00241 | SAL - C9 - V2PEG - 0 - 124 - 3 / A2 | 3m | |
| 55-00242 | SAL - C9 - V2PEG - 0 - 124 - 5 / A2 | 5m | |
| 55-00243 | SAL - C9 - V2PEG - 0 - 124 - 10 / A2 | 10m | |
| 55-00252 | SAL - C9 - V2PEG - 0 - 124 - 2 / K1 / 075 | 2m | TPU, UL 20549, black, 3x0,75mm ² Cable: 781-K17300 |
| 55-00253 | SAL - C9 - V2PEG - 0 - 124 - 3 / K1 / 075 | 3m | |
| 55-00254 | SAL - C9 - V2PEG - 0 - 124 - 5 / K1 / 075 | 5m | |
| 55-00255 | SAL - C9 - V2PEG - 0 - 124 - 10 / K1 / 075 | 10m | |
| 55-00256 | SAL - C9 - V2PEG - 0 - 124 - 2 / A3 / 075 | 2m | PVC, UL 2464, grey, 3x0,75mm ² Cable: 781-A37300 |
| 55-00257 | SAL - C9 - V2PEG - 0 - 124 - 3 / A3 / 075 | 3m | |
| 55-00258 | SAL - C9 - V2PEG - 0 - 124 - 5 / A3 / 075 | 5m | |
| 55-00259 | SAL - C9 - V2PEG - 0 - 124 - 10 / A3 / 075 | 10m | |

D see data sheet cable

| | | | | | | | | | | | | |
|---|--|---|---|------|------|-------|----------|-------|-------|----------|---------|---------|
| NOT ALTER CAD DRAWING BY HAND | Index: a 02.02.11 VF Ä3731 contact assignment modified, dimension cable diameter removed, part no. cable in table added | dim. in mm | title: Valve plug type C, ground jumpered, with protective circuit, contact pitch 9,4mm | | | | | | | | | |
| | | <table border="1" style="margin: auto;"> <tr> <td style="width: 30px;"></td> <td style="width: 60px;">date</td> <td style="width: 60px;">name</td> </tr> <tr> <td>drawn</td> <td>18.06.08</td> <td>Franz</td> </tr> <tr> <td>appd.</td> <td>18.06.08</td> <td>Schmidt</td> </tr> </table> | | date | name | drawn | 18.06.08 | Franz | appd. | 18.06.08 | Schmidt | dwg no: |
| | | date | name | | | | | | | | | |
| drawn | 18.06.08 | Franz | | | | | | | | | | |
| appd. | 18.06.08 | Schmidt | | | | | | | | | | |
| THIS DRAWING MAY NOT BE COPIED OR REPRODUCED IN ANY WAY, AND MAY NOT BE PASSED ON TO A THIRD PARTY WITHOUT WRITTEN PERMISSION | | 55K1A015 | | | | | | | | | | |