

Excellent Integrated System Limited

Stocking Distributor

Click to view price, real time Inventory, Delivery & Lifecycle Information:

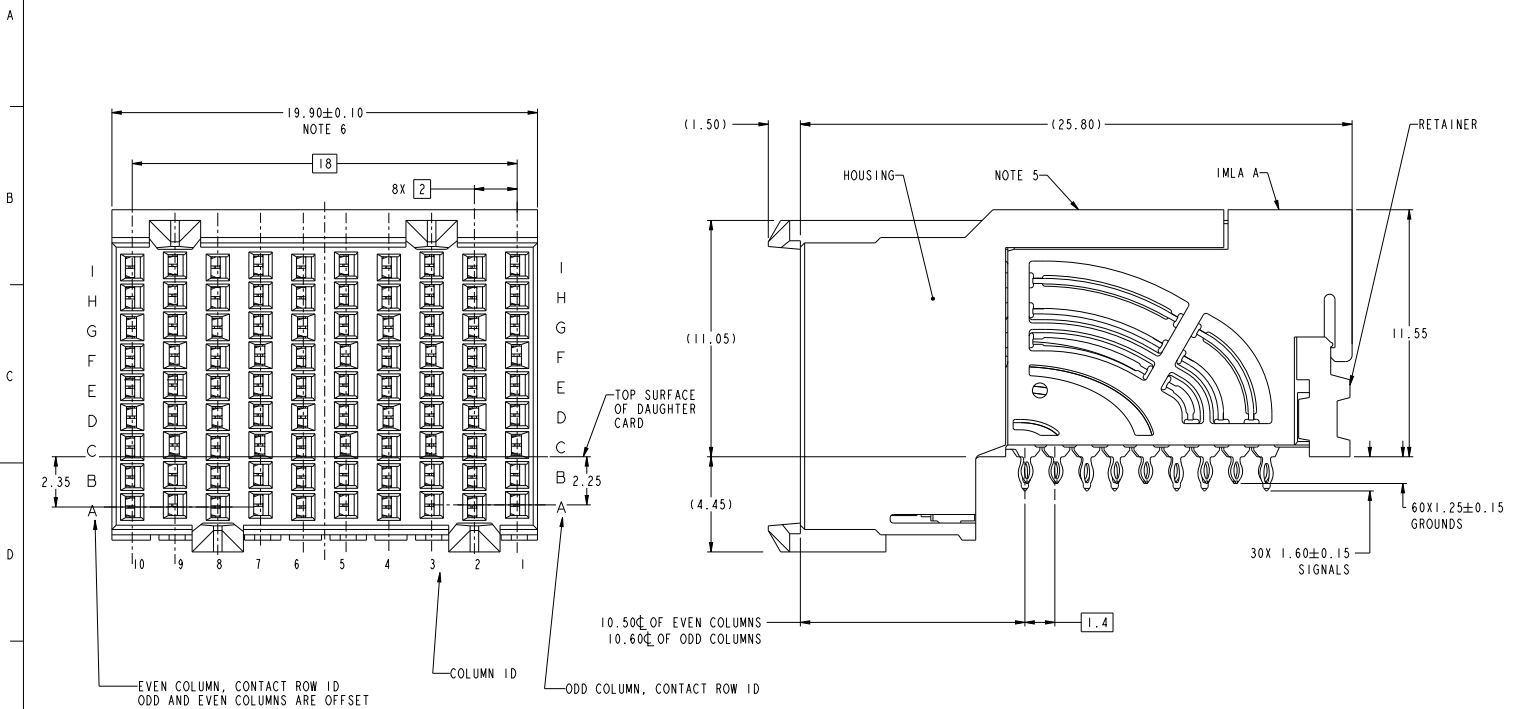
[FCI](#)

[10124432-101LF](#)

For any questions, you can email us directly:

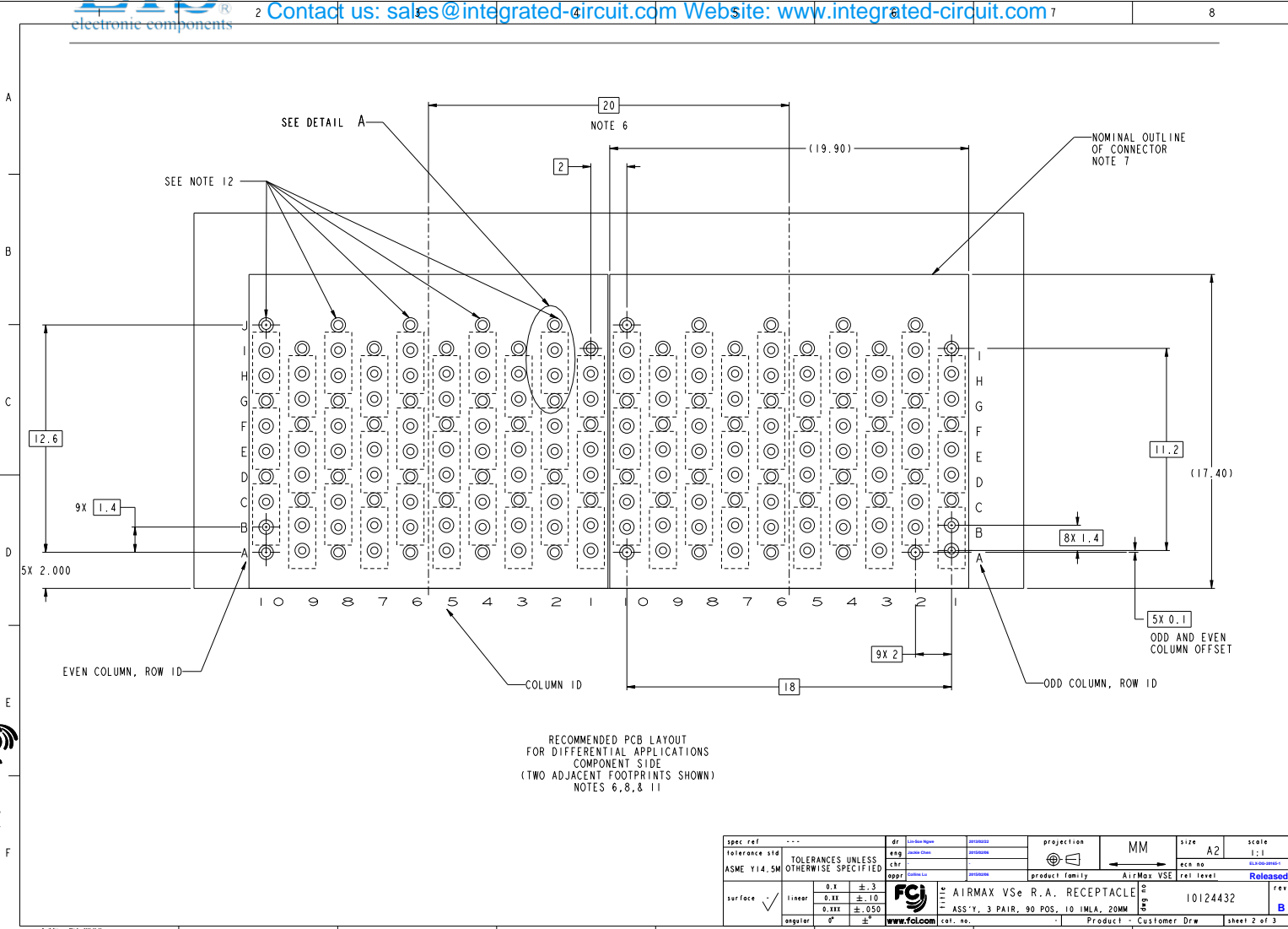
sales@integrated-circuit.com

PRODUCT NUMBER
SEE SHEET 3



Copyright FCI

spec ref	---	dr	LuChen Ngan	08/09/2015	projection	MM	size	A2	scale	1:1
tolerance std	ASME Y14.5M	eng	LuChen Ngan	08/09/2015	product family	AirMax VSe	acc no		rel level	Released
	TOLERANCES UNLESS OTHERWISE SPECIFIED	chr	LuChen Ngan	08/09/2015						
surface	linear	0.1	±.3	FCI	AIRMAX VSe R.A. RECEPTACLE ASS'Y, 3 PAIR, 90 POS, 10 IMLA, 20MM		10124432			rev B
	angular	0.25	±.050	www.fci.com	Product - Customer Draw					sheet 1 of 3

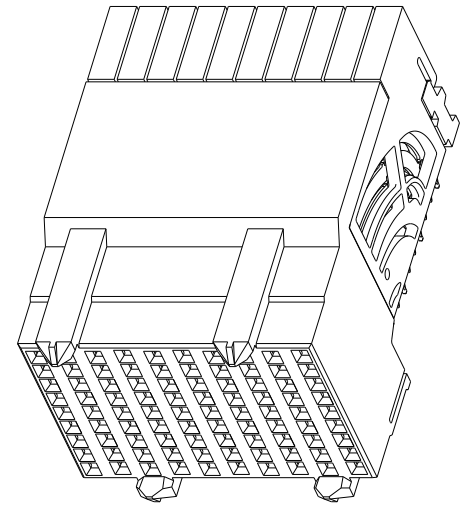


RECOMMENDED PCB LAYOUT
FOR DIFFERENTIAL APPLICATIONS
COMPONENT SIDE
(TWO ADJACENT FOOTPRINTS SHOWN)
NOTES 6, 8, & 11

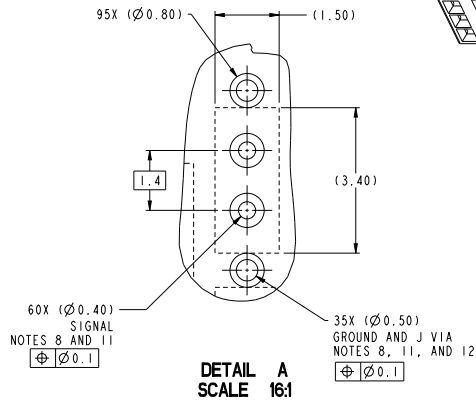
spec ref	---	dr	LuChen Ngan	08/09/2015	projection	MM	size	A2	scale	1:1
tolerance std	ASME Y14.5M	eng	LuChen Ngan	08/09/2015	product family	AirMax VSe	rel level	Released	rev	B
surface	linear	0.1	±.3	0.2X	±.10	0.2X	±.050	FCI AIRMAX VSe R.A. RECEPTACLE ASS'Y, 3 PAIR, 90 POS, 10 IMLA, 20MM		
angular	0°	0°	0°	www.fci.com cat. no. Product - Customer Draw sheet 2 of 3						

PRODUCT NUMBER	PRESS-FIT TAIL PLATING TYPE
10124432-101	TIN/LEAD ALLOY OVER NICKEL
10124432-101LF	TIN OVER NICKEL (LEAD FREE)

- 1 - CONNECTOR MATERIALS:
HOUSING: HIGH TEMP THERMOPLASTIC, NATURAL, UL94-V0
IMLA PLASTIC: HIGH TEMP THERMOPLASTIC, BLACK, UL94-V0
CONTACT: COPPER ALLOY
ORGANIZER: HIGH TEMP THERMOPLASTIC, NATURAL, UL94-V0
- 2 - CONTACT PLATING:
SEPARABLE INTERFACE:
PERFORMANCE-BASED PLATING, QUALIFIED TO MEET THE REQUIREMENTS OF FCI PRODUCT SPECIFICATION GS-12-0956 INCLUDING TELCORDIA GR-1217-CORE (NOVEMBER 1995) CENTRAL OFFICE TEST SEQUENCE
PRESS-FIT TAILS: SEE TABLE
- 3 - PRODUCT SPECIFICATION: GS-12-0956
- 4 - APPLICATION SPECIFICATION: GS-20-0305.
- 5 - PRODUCT MARKING, (PART NUMBER & LOT CODE), ON THIS SURFACE.
- 6 - THE MINIMUM CENTERLINE SPACING BETWEEN ADJACENT MODULES IS 20.0 MM.
- 7 - CONNECTOR OUTLINE MAY BE SCREEN PRINTED ONTO CUSTOMER PCB TO BE USED AS A GUIDE FOR MANUAL CONNECTOR PLACEMENT.
- 8 - REFER TO CUSTOMER DRAWING 10104444 FOR INFORMATION ON PCB HOLE DIAMETERS AND PLATING OPTIONS
- 9 - LEAD FREE PRODUCT MEETS THE EUROPEAN UNION DIRECTIVES & OTHER COUNTRY REGULATIONS AS DESCRIBED IN GS-22-008
- 10 - PACKAGING MEETS GS-14-920 LEAD FREE LABELING SPECIFICATION.
- 11 - GROUND CONTACTS (C, F, AND I IN ODD COLUMNS AND A, D, AND G, EVEN COLUMNS) REQUIRE (Ø0.500) FINISHED HOLES. SIGNAL LOCATIONS REQUIRE (Ø0.400) FINISHED HOLES.
- 12 - THESE OUTER VIAS (J) ARE OPTIONAL, WHILE NO CONNECTOR EONS ARE PRESSED INTO THESE HOLES WE RECOMMEND (Ø0.500) FINISHED HOLES AT THESE LOCATIONS TO PROVIDE GROUND SYMMETRY THROUGH THE PCB.



10124432-101 OR -101LF



spec ref	---	dr	LuChen Ngien	08/20/2015	projection	MM	size	A2	scale	2:1
tolerance std	ASME Y14.5M	eng	LuChen Ngien	08/20/2015	chf		acc no		rel level	Released
TOLERANCES UNLESS OTHERWISE SPECIFIED		appr	LuChen Lu	08/20/2015	product family		AIRMAX VSe R.A. RECEPTACLE ASS'Y, 3 PAIR, 90 POS, 10 IMLA, 20MM			
surface	linear	0.X	±.3	FCI	10124432		10124432		rev B	
		0.XX	±.10	www.fci.com	cat. no.		Product - Customer Draw		sheet 3 of 3	
	angular	Ø	±	PDS: Rev :B		STATUS: Released		Printed: R06 06, 2015		

Copyright FCI