

Excellent Integrated System Limited

Stocking Distributor

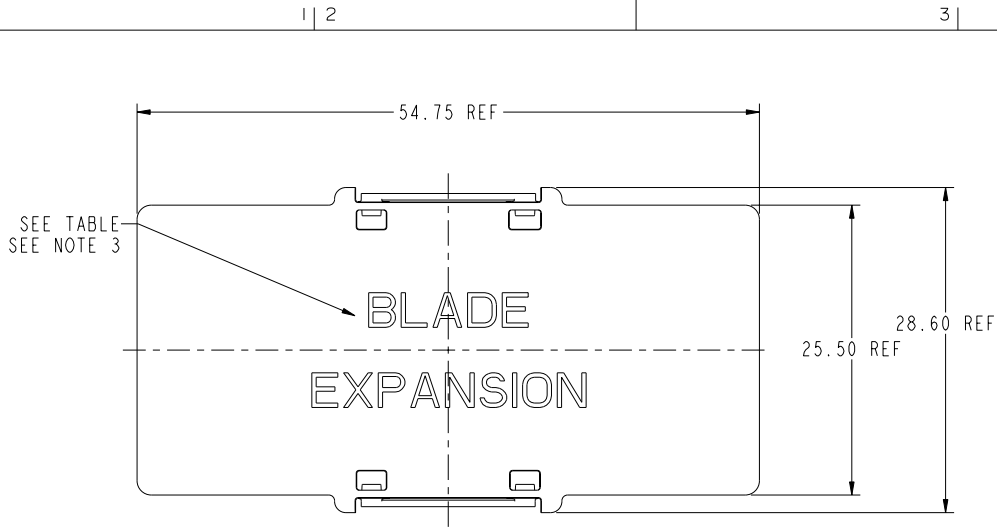
Click to view price, real time Inventory, Delivery & Lifecycle Information:

[FCI](#)

[10042773-001](#)

For any questions, you can email us directly:

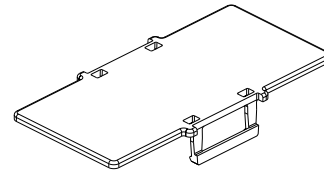
sales@integrated-circuit.com



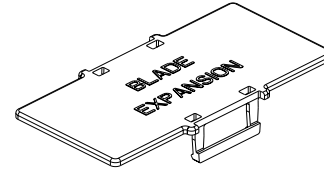
CONFIDENTIAL											
mat'l code				SEE NOTE 1		tolerances unless otherwise specified		CUSTOMER		FCI www.fciconnect.com	
ltr	ecn no.	dr	date			0.X ±0.3		COPY	title		
A	V04-1041	TAB	10/19/04	linear		0.XX ±0.10		projection	GIG-Array 296 POS.		
B	V05-0840	LP	11/14/05			0.XXX ±0.050			PROTECTIVE CAP		
C	V06-0558	LP	2006/06/21	angles		0° ±2°			product family	GIG-Array	code
				dr	T. BRUNGARD	07/19/04		MM	size	dwg no	213
				eng	M. STRAWSER	07/19/04		scale	A	10042773	sheet
				chr	M. STRAWSER	07/19/04		2:1			1 of 2
				appd	M. STRAWSER	07/19/04					
sheet index	revision sheet	C	C								
		1	2								

This document is the property of and embodies CONFIDENTIAL and PROPRIETARY information of FCI. No part of the information shown on this document may be used in any way or disclosed without the written consent of FCI. Copyright FCI.

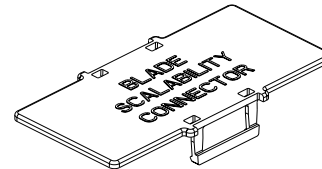
PRODUCT NUMBER	OPTIONAL RAISED TEXT (SEE NOTE 3)
10042773-001	NONE
10042773-001LF	NONE
10042773-002	BLADE EXPANSION
10042773-002LF	BLADE EXPANSION
10042773-003	BLADE EXPANSION
10042773-003LF	BLADE EXPANSION
10042773-004	BLADE SCALABILITY CONNECTOR
10042773-004LF	BLADE SCALABILITY CONNECTOR



10042773-001
10042773-001LF
SCALE 1:1



10042773-002
10042773-002LF
10042773-003
10042773-003LF
SCALE 1:1



10042773-004
10042773-004LF
SCALE 1:1

NOTES:

- MATERIAL:
LCP
COLOR: BLACK
UL RATING: 94 V-0
- THIS PROTECTIVE CAP SHOULD NOT BE USED AS A PICK & PLACE CAP DURING REFLOW.
- OPTIONAL RAISED TEXT USE 12pt. HELVETICA FONT, CENTER JUSTIFIED SEE TABLE.
- THE PRODUCT WHERE THE PART NUMBERS END IN "LF" MEET EUROPEAN UNION DIRECTIVES AND OTHER COUNTRY REGULATIONS AS DESCRIBED IN GS-22-008. ALL PRODUCTS WILL WITHSTAND EXPOSURE TO 260° C FOR 60 SECONDS IN A CONVECTION, INFRA-RED OR VAPOR PHASE REFLOW OVEN.
- FOR LEAD FREE PART NUMBERS ADD "LF" SUFFIX, EXAMPLE 10042773-00XLF.



This document is the property of and embodies CONFIDENTIAL and PROPRIETARY information of FCI. No part of the information shown on this document may be used in any way or disclosed without the written consent of FCI. Copyright FCI.

mat'l code				SEE NOTE 1	tolerances unless otherwise specified		CUSTOMER	FCI		www.fciconnect.com	
ltr	ecn no.	dr	date		0.X ±0.3		COPY				
C	-	-	-	linear	0.XX ±0.10	projection	⊕	title GIG-Array 296 POS. PROTECTIVE CAP			
				angles	0.XXX ±0.050		MM	product family	GIG-Array	code	213
				dr	0° ±2°		←	size	dwg no	10042773	sheet
				eng		scale	1:1	A		2	
				chr	T. BRUNGARD 07/19/04						
				appd	M. STRAWSER 07/19/04						
					M. STRAWSER 07/19/04						
sheet index	revision sheet										

CONFIDENTIAL