

Excellent Integrated System Limited

Stocking Distributor

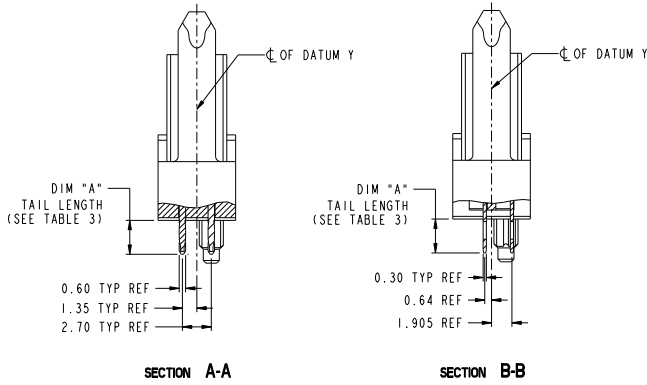
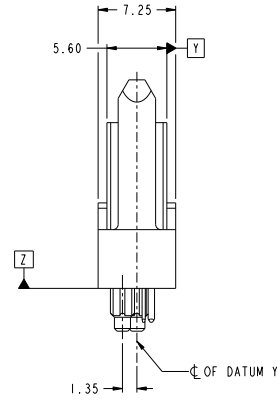
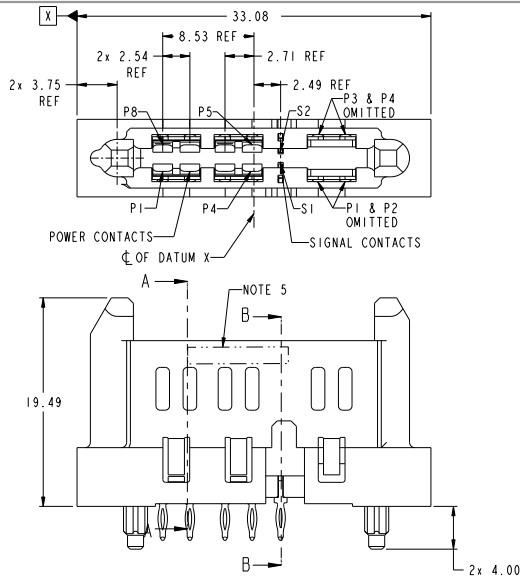
Click to view price, real time Inventory, Delivery & Lifecycle Information:

[FCI](#)

[10126895-002LF](#)

For any questions, you can email us directly:

sales@integrated-circuit.com



| REV | ECN NO. | DR | DATE |
|-----|---------|----|------------|
| A | --- | DM | 2014-01-07 |
| | | | |
| | | | |
| | | | |

| | | | | | | | | | | | |
|------------|---------------------------------------|------|-----------|----------|----------|--|----|-------------------------|-----------------------|-----------------------|----------|
| spec. ref. | - | dr | David Liu | date | 20140106 | projection | MM | size | A2 | scale | 4:1 |
| tolerance | 114 | eng | John Wang | checked | | | | product family HPCE | rel level Released | part no. 10126895 | rev A |
| ISO 406 | TOLERANCES UNLESS OTHERWISE SPECIFIED | chr | Wei Wang | approved | | | | | | | |
| ISO 1101 | | appr | Wei Wang | approved | | HPCE BTB VT RECEPTACLE (BP2S4P(4P OMITTED)) | | Product - Customer Draw | | sheet 1 of 3 | |
| ISO 1302 | | | | | | PDS: Rev: A | | STATUS: Released | | Printed: Jan 27, 2014 | |

2

3

4

5

PDS: Rev: A

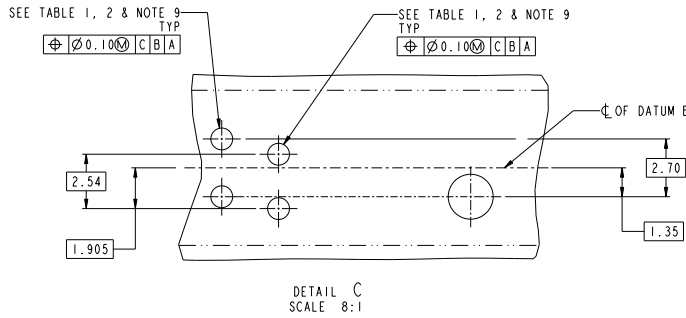
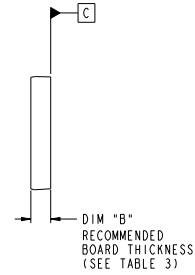
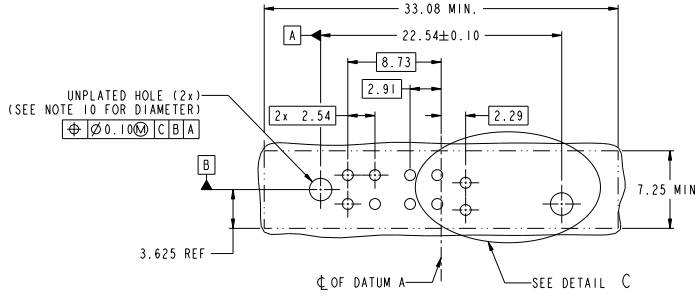
STATUS: Released

Printed: Jan 27, 2014

Copyright FCI

| CONTACT TYPE | TOP LAYER DESCRIPTION | TABLE 1 (HPCE / SOLDER TAILS) PLATED THROUGH-HOLE REQUIREMENTS | | | | |
|----------------|-----------------------|---|------------------|--------------------|---------------|------------------------|
| | | DRILLED HOLE DIAMETER | COPPER THICKNESS | TIN-LEAD THICKNESS | TIN THICKNESS | FINISHED HOLE DIAMETER |
| POWER & SIGNAL | TIN-LEAD | 1.10-1.16 (1.15 DRILL) | 0.025 - 0.050 | 0.005 - 0.015 | -- | 0.94 - 1.10 |
| | IMMERSION TIN | 1.10-1.16 (1.15 DRILL) | 0.025 - 0.050 | -- | 0.9 - 1.5um | 0.94 - 1.10 |
| | COPPER (SEE NOTE 8) | 1.10-1.16 (1.15 DRILL) | 0.025 - 0.050 | -- | -- | 0.94 - 1.10 |

| CONTACT TYPE | TOP LAYER DESCRIPTION | TABLE 2 (HPCE / PRESS-FIT TAILS) PLATED THROUGH-HOLE REQUIREMENTS | | | | |
|----------------|-----------------------|--|------------------|--------------------|---------------|------------------------|
| | | DRILLED HOLE DIAMETER | COPPER THICKNESS | TIN-LEAD THICKNESS | TIN THICKNESS | FINISHED HOLE DIAMETER |
| POWER & SIGNAL | TIN-LEAD | 0.81-0.86 (0.85 DRILL) | 0.025 - 0.050 | 0.005 - 0.015 | -- | 0.65 - 0.80 |
| | IMMERSION TIN | 0.81-0.86 (0.85 DRILL) | 0.025 - 0.050 | -- | 0.9 - 1.5um | 0.70 - 0.80 |
| | COPPER (SEE NOTE 8) | 0.81-0.86 (0.85 DRILL) | 0.025 - 0.050 | -- | -- | 0.70 - 0.80 |



| | | | | | |
|---------------------------------|----------------------------------|---|---------------------|--------------|------------|
| dr: Chen Wang | desig: Jian Wang | projection: | MM | size: A2 | scale: 4:1 |
| eng: Jian Wang | desig: Jian Wang | product family: HPCE | rel level: Released | | |
| appr: Jian Wang | desig: Jian Wang | FCI HPCE BTB VT RECEPTACLE (8P2S4P(4P OMITTED)) | | | |
| www.fci.com (rel. no.) | | Product - Customer Draw | | sheet 2 of 3 | |

PDS: Rev: A

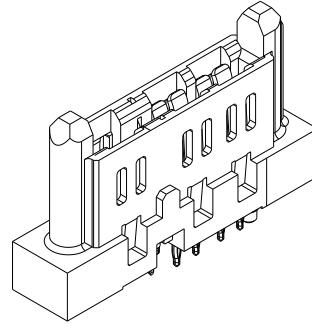
STATUS: Released

Printed: Jan 27, 2014

Copyright FCI

HPCE PART NUMBER (TABLE 3)

| PART NUMBER | TAIL TYPE | DIM "A"±0.25 TAIL LENGTH | DIM "B" RECOMMENDED BOARD THICKNESS |
|----------------|-----------|-----------------------------|---|
| 10126895-001LF | STB | 3.17 | 2.40 |
| 10126895-002LF | PF | | 2.40 |



NOTES:

1. CONNECTOR MATERIALS:
 HOUSING: HIGH TEMPERATURE THERMAL PLASTIC, BLACK
 UL 94V-0 COMPLIANT
 CONTACTS: HIGH PERFORMANCE COPPER ALLOY.
2. CONTACT FINISH REF. GS-12-1125 SECTION 5.2.
3. PRODUCT SPECIFICATION: GS-12-1125.
4. APPLICATION SPECIFICATION: GS-20-0388.
5. PRODUCT MARKING (FCI - PART NUMBER & DATE CODE) ON HOUSING IN AREA SHOWN.
6. PACKAGING MEETS FCI SPECIFICATION GS-14-2272.
7. HOUSING COMPONENT WILL WITHSTAND EXPOSURE TO 260°C PEAK TEMPERATURE FOR 60 SECONDS IN A CONVECTION, INFRA-RED, OR VAPOR PHASE REFLOW OVEN.
8. COPPER PLATING THICKNESS IN CENTER OF VIA-HOLE CAN BE NO MORE THAN 0.003 LESS THAN OTHER AREAS.
9. ALL HOLE SIZES ARE FINISHED HOLE SIZES.
10. MOUNTING HOLES ARE UNPLATED
 Ø 2.18 +/- 0.03 FOR SOLDER TAILS
 Ø 2.40 +/- 0.10 FOR PRESS FIT TAILS
11. PRESS FIT APPLICATION TOOL DRAWING: 10125182

| | | | | | | | |
|--------------------------------------|---|------------------------|------|--------------------|----------|--------------------------------------|-----|
| dr: Chen Wang Guo | designed by: Jianhui Chen | projection | MM | size | A2 | scale | 4:1 |
| eng: Jianhui Chen | checked by: | | | sec no | | | |
| chr: | | product family | HPCE | rel level | Released | | |
| appr: Wei Wang Zhong | approved by: | www.fci.com | | part no | 10126895 | rev | A |
| | | HPCE BTB VT RECEPTACLE | | 8P2S4P(4P OMITTED) | | Product - Customer Draw sheet 3 of 3 | |

PDS: Rev :A

STATUS: Released

Printed: Jan 27, 2014

Copyright FCI.