

Excellent Integrated System Limited

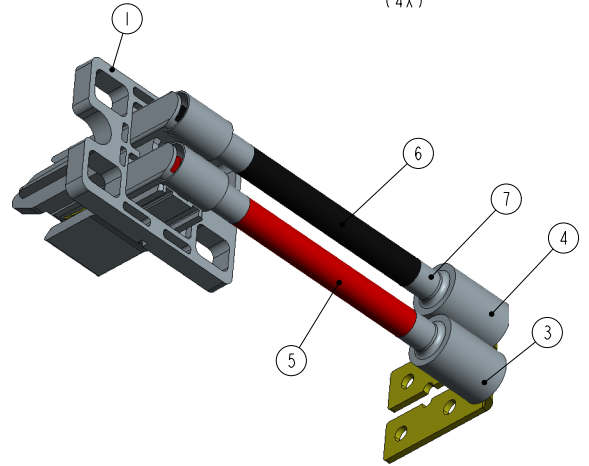
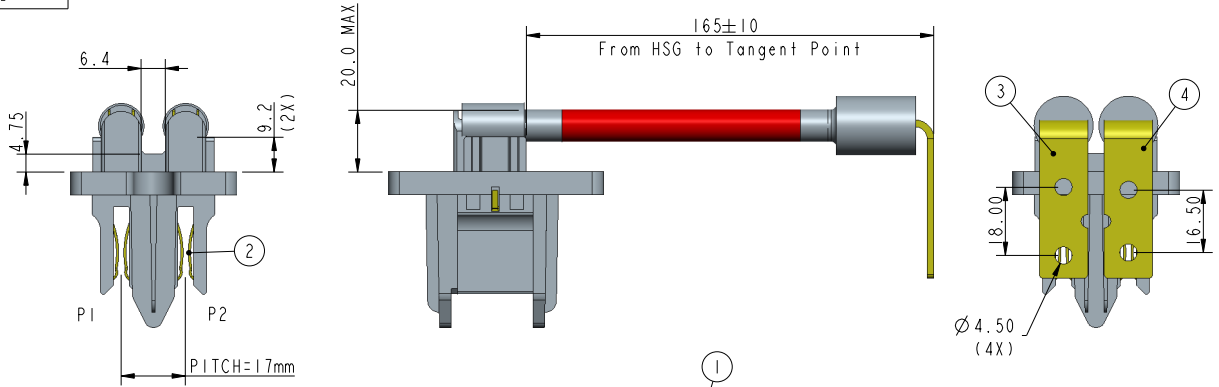
Stocking Distributor

Click to view price, real time Inventory, Delivery & Lifecycle Information:

[FCI](#)
[10124234-060001LF](#)

For any questions, you can email us directly:
sales@integrated-circuit.com

PART NUMBER	CUSTOMER P/N
10124234-060001LF	F03B



ITEM NO.	PART NUMBER	DESCRIPTION	Q'TY
1	10124237-001	HOUSING, THERMOPLASTIC RESIN, UL94V-0	1
2	10124235-06001LF	MATING CONTACT, HIGH CONDUCTIVITY COPPER ALLOY, TIN PLATED.	2
3	10124236-06001LF	FLAT CONTACT, THROUGH HOLE PITCH=18.00mm HIGH CONDUCTIVITY COPPER ALLOY TIN PLATED	1
4	10124236-06002LF	FLAT CONTACT, THROUGH HOLE PITCH=16.50mm HIGH CONDUCTIVITY COPPER ALLOY TIN PLATED	1
5	10124238-06001	FLEXIBLE POWER WIRE, 6 AWG, UL 10070, 105°C, 600V RED INSULATION COLOR.	1
6	10124238-06002	FLEXIBLE POWER WIRE, 6 AWG, UL 10070, 105°C, 600V BLACK INSULATION COLOR.	1
7	10124239-06000	THERMAL SHRINKAGE TUBING, COLOR BLACK, 0.5mm THICKNESS, LENGTH 25mm MIN.	4

NOTES:
 (1) ELECTRICAL RATING: 600V, 60A
 (2) WORKING TEMPERATURE: -20~75°C
 (3) REFERENCE DOCUMENTS:
 PRODUCT SPECIFICATION: FCI-GS-12-1127
 PACKAGING SPECIFICATION: FCI-GS-14-2295
 (4) RoHS COMPLIANT.

spec ref	dr Beer Fu	2013-02-01	projection	MM	size A3	scale 1:1
tolerance std	eng Beer Fu	2013-02-01			ecn no	ELX-T-19523
TOLERANCES UNLESS OTHERWISE SPECIFIED						
surface	linear	0.X	±0.30		TITLE POWER CABLE FINAL ASSEMBLY	DRWG NO 10124234-060001LF
		0.XX	±0.15			
		0.XXX	±0.05			
angular	0°	±5°	www.fci.com	cat. no.	CUSTOMER	sheet 1 of 1

Print Date : REV C : 2013-04-10

2

3

PDS: Rev :C

STATUS:Released

Printed: Dec 01, 2014

Copyright FCI.