

## Excellent Integrated System Limited

Stocking Distributor

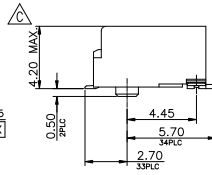
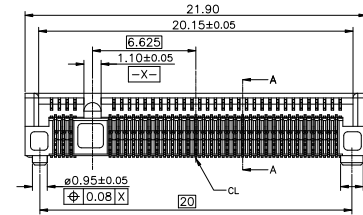
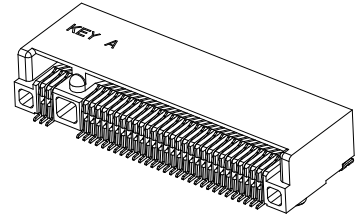
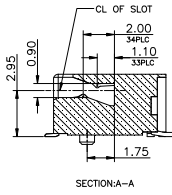
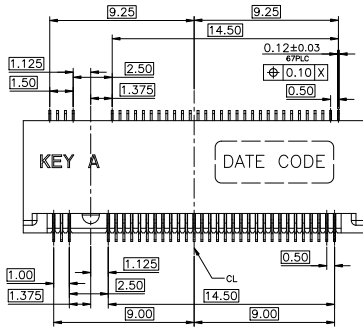
Click to view price, real time Inventory, Delivery & Lifecycle Information:

[FCI](#)

[10128792-001RLF](#)

For any questions, you can email us directly:

[sales@integrated-circuit.com](mailto:sales@integrated-circuit.com)



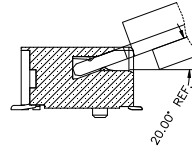
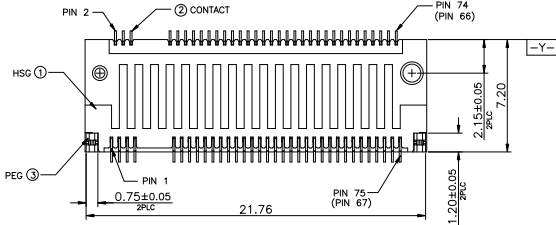
**NOTES:**

- MATERIAL:**
  - HOUSING: HIGH TEMPERATURE THERMOPLASTIC, UL94V-0, COLOR: BLACK.
  - CONTACT: COPPER ALLOY.
  - SOLDER PEG: STAINLESS STEEL.
- FINISH:**
  - CONTACT: UNDERPLATING NICKEL 50u" MIN OVERALL MATING AREA: GOLD PLATING, THICKNESS SEE TABLE SOLDER AREA: GOLD FLASH 1u" MIN.
  - SOLDER PEG: UNDERPLATING NICKEL 50u" MIN OVERALL 80u" MIN MATTE TIN ON SURFACE.
- DATE CODE:** YYWWDLX  
YY: YEAR (09: 2009)  
WW: WEEK (25: THE 25TH WEEK)  
D: DAY (1~7: SUNDAY~SATURDAY)  
L: LINE NUMBER OF ASSEMBLY (A: LINE A)  
X: D OR N (D: DAY; N: NIGHT)
- PRODUCT SPECIFICATION:** SEE FCI GS-12-1195
- PART NUMBER DESCRIPTION:** 10128792-00XRLF

LF: LEAD FREE & RoHS COMPLIANCE

PACKAGE CODE:  
R: TAPE & REEL PACKING  
PLATING CODE:

- GOLD FLASH ON CONTACT AREA
- 15u" MIN GOLD ON CONTACT AREA
- 30u" MIN GOLD ON CONTACT AREA



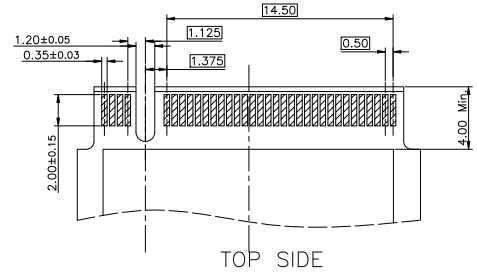
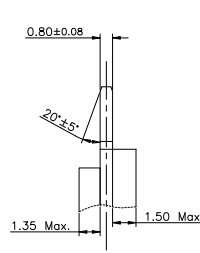
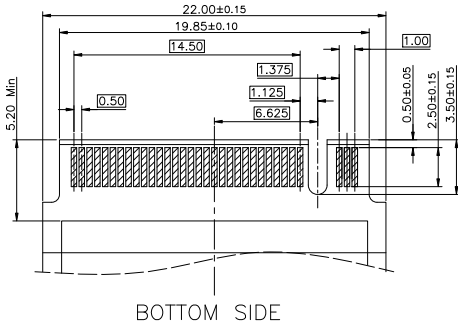
MATING ANGLE ILLUSTRATION

mat'l. code		surface	tolerance	projection	product family
ltr	ecn no dr date	tolerances unless otherwise specified		mm	title
A	BF 2013-04-18	angles	.X ±0.3		
B	ELX-T-19318 TAI 2014-11-10	mm	.XX ±0.25	scale	
C	ELX-T-20858 TAI 2015-05-11	X'±2'	.XXX ±0.05		dwg no
		dr	BEER FU 2013-05-02	sheet 1 of 3	
		enrg	BEER FU 2013-05-02	size	
		chr	BEER FU 2013-05-02	A4	
		appd	BEER FU 2013-05-02	type	
sheet index	revision sheet	C C C		Customer Drawing	
		1 2 3			

30u" Au	10128792-005RLF
15u" Au	10128792-004RLF
GOLD FLASH	10128792-001RLF
CONTACT AREA	FCI P/N



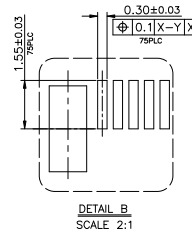
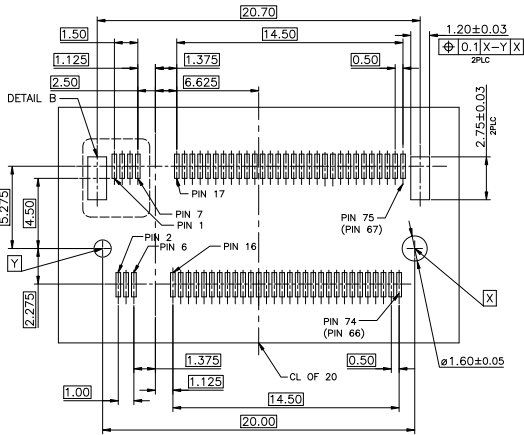
PLUG PCB



BOTTOM SIDE

TOP SIDE

RECOMMENDED PCB LAYOUT

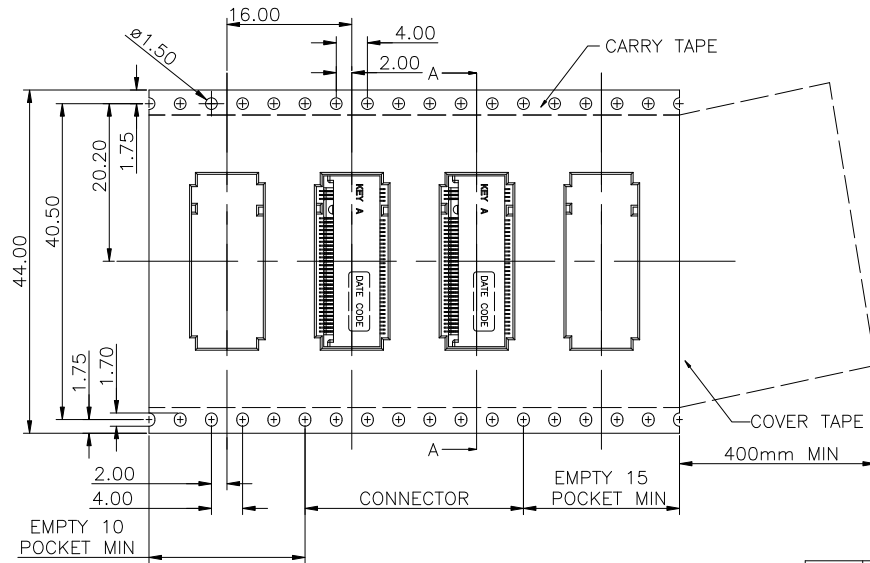
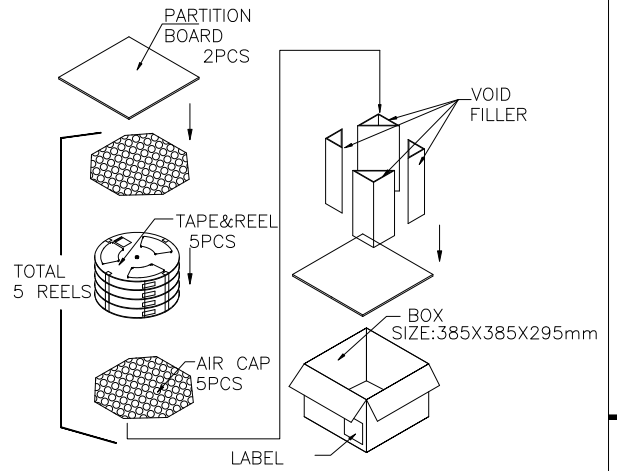
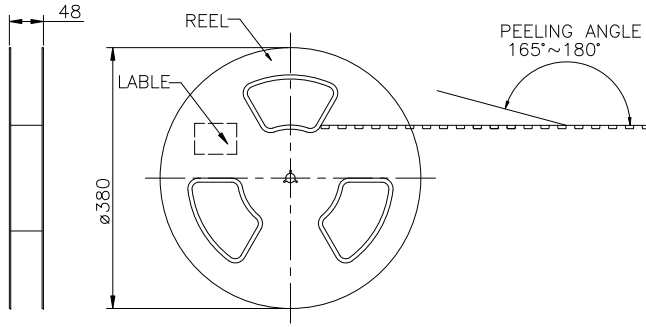


<b>FCI</b>	dwg no	sheet 2 of 3	size
	10128792		A4
	type	Customer Drawing	

sheet index	revision sheet	C	C	C											
	1	2	3												



FEEDING DIRECTION →



1100	5	5500	10.33Kg	5.53Kg
PCS/TAPE	REELS/BOX	PCS/BOX	GROSS WEIGHT	NET WEIGHT

<b>FCI</b>	dwg no	sheet 3 of 3	size
	10128792		A4
	type	Customer Drawing	

sheet index	revision sheet	C	C	C															
	1	2	3																