

Excellent Integrated System Limited

Stocking Distributor

Click to view price, real time Inventory, Delivery & Lifecycle Information:

[FCI](#)

[10129304-062502PLF](#)

For any questions, you can email us directly:

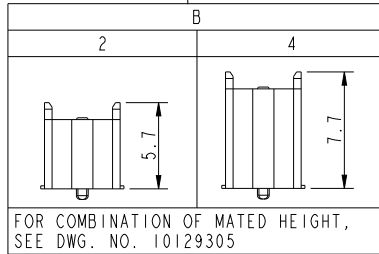
sales@integrated-circuit.com

10129304- AA B C D E G FF

AA	NO. OF POSITIONS	B(NOTE 7)	
		2	4
06	2X30	YES	YES
08	2X40	YES	YES
10	2X50	YES	NA
12	2X60	YES	NA

G	DATE CODE
/	NOT PRINT DATE CODE
P	PRINT DATE CODE

E	PACKAGING
0	TUBE WITHOUT METAL CAP
2	TRAY WITHOUT CAP
9	TUBE WITH METAL CAP
6	T&R WITH METAL CAP
7	T&R WITH PLASTIC CAP



D	PLASTIC PEG	FEATURE
0	YES	

NOTE:

- MATERIAL:
HOUSING: HIGH TEMPERATURE THERMOPLASTIC, NATURAL, UL94 V-0
TERMINAL: COPPER ALLOY
- PLATING: AS SHOWN IN TABLE.
- SEE GS-12-1229 FOR PRODUCT SPEC.
- THIS PRODUCT MEETS THE EUROPEAN UNION DIRECTIVES AND OTHER COUNTRY REGULATIONS AS DESCRIBED IN GS-22-008.
- THE HOUSING WILL WITHSTAND EXPOSURE UP TO 260° PEAK TEMPERATURE FOR 30 SECONDS IN A CONVECTION, INFRA-RED OR VAPOR PHASE REFLOW OVEN.
- THE P/N 10129304-*****LF DOES NOT PRINT DATE CODE. THE P/N 10129304-*****PLF NEED PRINT DATE CODE.
- REMARK "YES" MEANS TOOLING CAN SUPPORT THIS TYPE. REMARK "NA" MEANS NO TOOLING CAN SUPPORT THIS TYPE.

C	PLATING	FF
4	GOLD 0.2um Min / PURE MATTE TIN NICKEL UNDERPLATE OVERALL 1.27um (LEADFREE PLATING)	LF
5	GOLD 0.38um Min / PURE MATTE TIN NICKEL UNDERPLATE OVERALL 1.27um (LEADFREE PLATING)	LF
6	GOLD FLASH (0.1um Min) OVER PALLADIUM-NICKEL 0.76um Min / PURE MATTE TIN NICKEL UNDERPLATE OVERALL 1.27um (LEADFREE PLATING)	LF



Copyright FCI.

spec ref	dr	20140927	projection	mm	size	A3	scale	4:1
tolerance std	eng	20141219			ecn no	-	rel level	Released
TOLERANCES UNLESS OTHERWISE SPECIFIED		chr						
surface	linear	0.X	±0.20	www.fci.com	title	BERGSTAK 0.8mm BTB PLUG ASSY		rev
		0.XX	±0.15		cat. no.	-	Product - Customer Drw	sheet 1 of 4
	angular	0°	±3°		cat. no.	-	Product - Customer Drw	sheet 1 of 4

Prod File - REC C - 2009-04-09

1

2

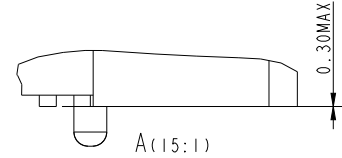
3

PDS: Rev.B

STATUS:Released

Printed: Dec 23, 2014

PRODUCT NO.	NO. OF POSITION	DIMENSION			PACKAGING INFORMATION(SHEET 4)		
		A	B	C	CARRIER TAPE WIDTH / PITCH	REEL WIDTH (DIM W)	Q'TY FOR ONE REEL/CARTON
10129304-062XXX	2X30	23.2	32.0	24.7	44.0/16.0	50.4	500
10129304-082XXX	2X40	31.2	40.0	32.7	56.0/16.0	62.4	500
10129304-102XXX	2X50	39.2	48.0	40.7	72.0/16.0	78.4	500
10129304-122XXX	2X60	47.2	56.0	48.7	72.0/16.0	78.4	500

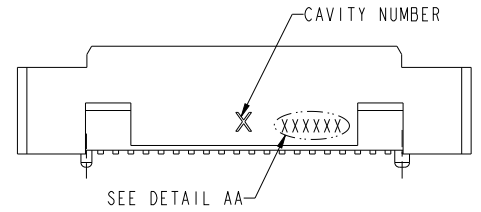
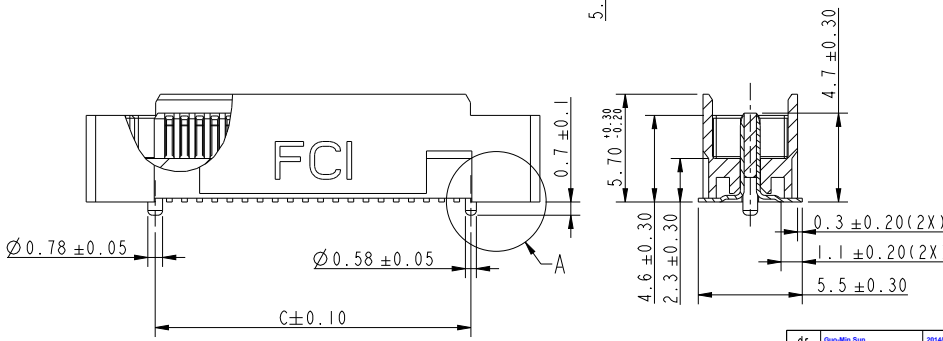
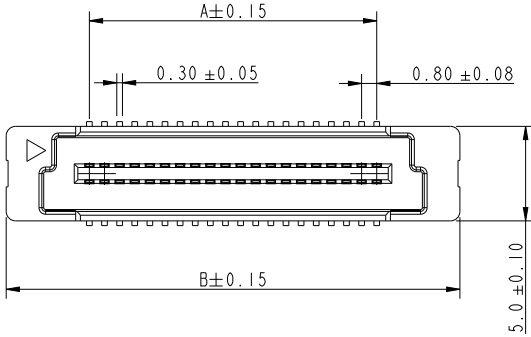


COPLANARITY OF TAIL : 0.10 MAX

DATE CODE: XX XX XX

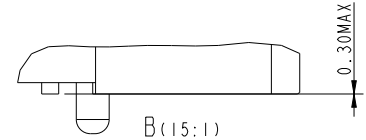
DAY(01-31)
MONTH(01-12)
YEAR(00-99)

DETAIL AA



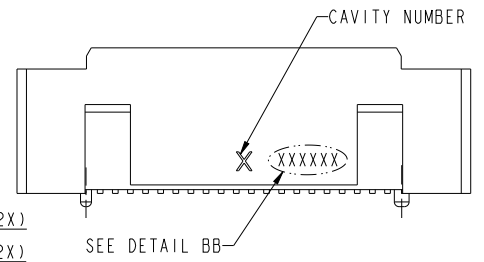
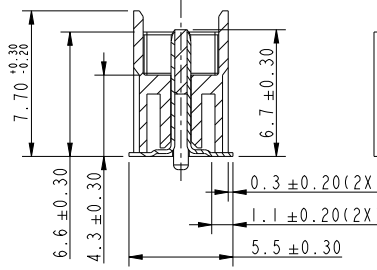
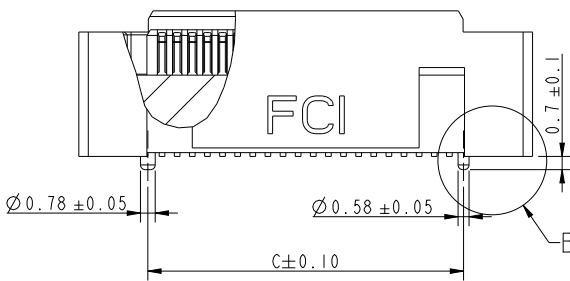
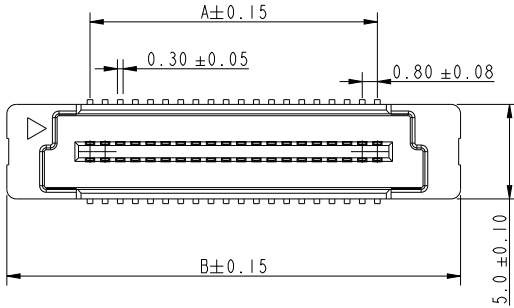
dr	Guo-Min Sun	2014/02/27	projection	mm	size	A3	scale	5:1
eng	Guo-Min Sun	2014/12/19			ecn no	EIS-A-19438-1		
chr	-	-			rel level	Released		
appr	Tim Yao	2014/12/22	product family	-	cat. no.	10129304		
		title BERGSTAK 0.8mm BTB PLUG ASSY		rev B	www.fci.com cat. no. - Product - Customer Draw sheet 2 of 4			

PRODUCT NO.	NO. OF POSITION	DIMENSION			PACKAGING INFORMATION(SHEET 4)		
		A	B	C	CARRIER TAPE WIDTH / PITCH	REEL WIDTH (DIM W)	Q'TY FOR ONE REEL/CARTON
10129304-064XXX	2X30	23.2	32.0	24.7	44.0/16.0	50.4	400
10129304-084XXX	2X40	31.2	40.0	32.7	56.0/16.0	62.4	400
10129304-104XXX	2X50	39.2	48.0	40.7	72.0/16.0	78.4	400
10129304-124XXX	2X60	47.2	56.0	48.7	72.0/16.0	78.4	400



DATE CODE: XX XX XX
 DAY(01~31)
 MONTH(01~12)
 YEAR(00~99)

DETAIL BB

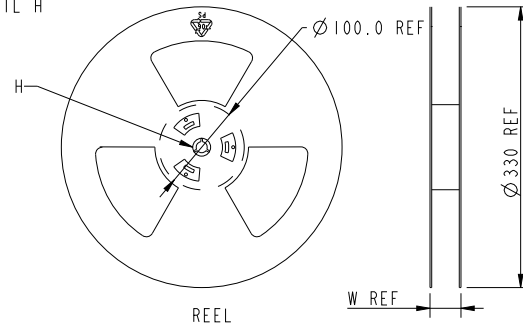
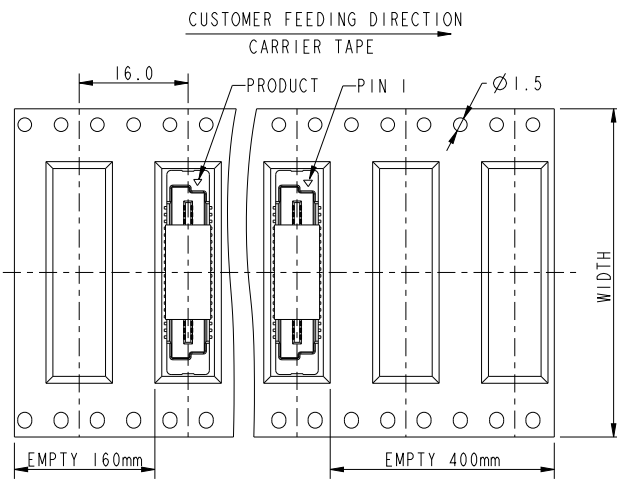
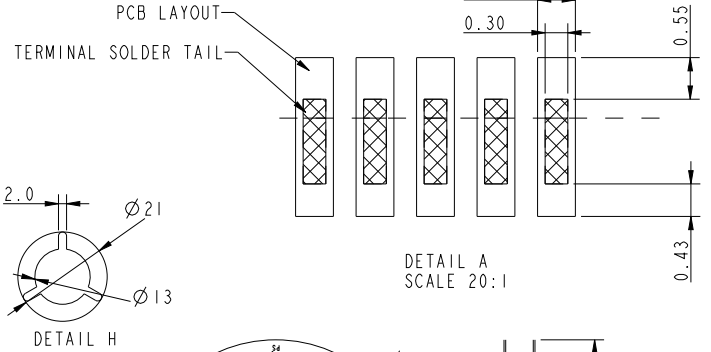
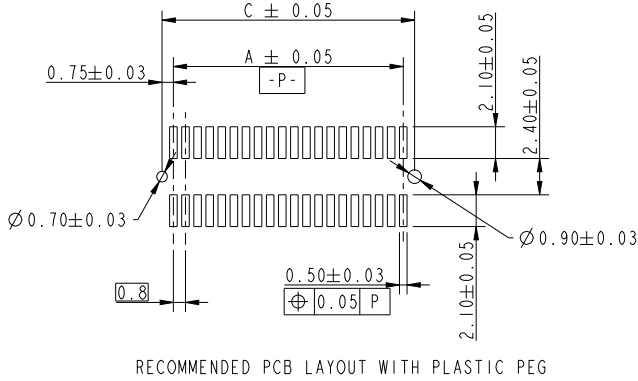


dr	Guo-Min Sun	20140927	projection	mm	size	A3	scale	5:1
eng	Guo-Min Sun	20141219			ecn no	EIS-A-1948-1		
chr	-	-			rel level	Released		
appr	Tim Yao	20141222	product family	-	cat. no.	10129304		
			title BERGSTAK 0.8mm BTB PLUG ASSY		rev B	Product - Customer Draw sheet 3 of 4		



Copyright FCI.

APPLY TO PLUG 2 & 4



dr	Guo-Min Sun	2014/02/27	projection	mm	size	A3	scale	4:1
eng	Guo-Min Sun	2014/12/19		mm	ecn no	-	rel level	Released
chr	-	-						
appr	Tim Yao	2014/12/22	product family	-	cat. no.	10129304	rev	B
		TITLE BERGSTAK 0.8mm BTB PLUG ASSY			www.fci.com		Product - Customer Draw sheet 4 of 4	

Copyright FCI.