

Excellent Integrated System Limited

Stocking Distributor

Click to view price, real time Inventory, Delivery & Lifecycle Information:

[FCI](#)

[10129385-P0009YYLF](#)

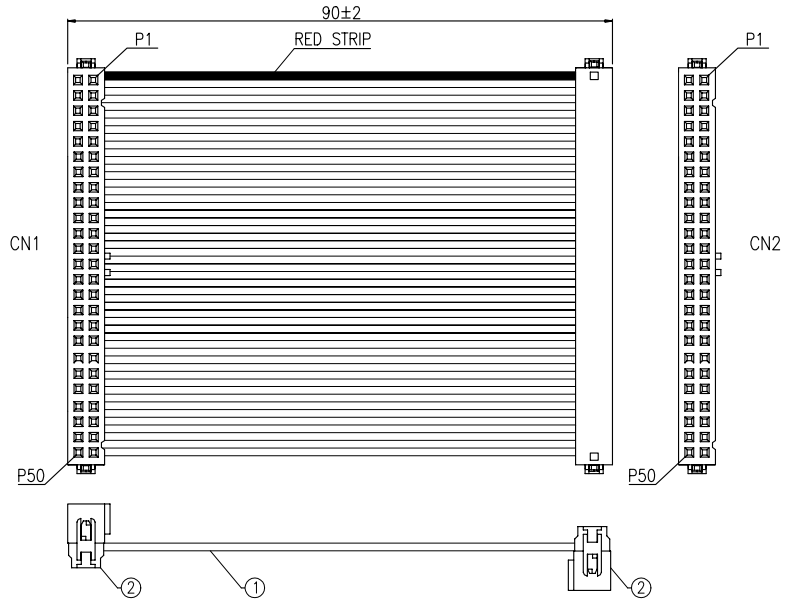
For any questions, you can email us directly:

sales@integrated-circuit.com

FCI PART NO.
10129385-P0009YYLF

REV	ECN NO	DESCRIPTION
B	ELX-N-19694-1	MODIFY "UNIT"

WIRING LIST	
CN1	CN2
1	1
2	2
3	3
4	4
5	5
...	...
47	47
48	48
49	49
50	50



NOTES:

- MATERIAL: SEE BOM ON SHEET 1.
- THIS DIMENSION IS A FINISHED PRODUCT LENGTH.
- ALL CABLE ASSEMBLIES SHALL BE TESTED 100% FOR CONTINUITY AS DEFINED IN WIRING LIST.
- UNLESS OTHERWISE SPECIFIED ALL CABLE ASSEMBLIES SHALL BE TESTD:
HI-POT: DC 300V/10ms
DIELECTRIC RESISTANCE: 10M Ohms MIN.
CONNECTION RESISTANCE: 3 Ohms MAX.
- LEAD FREE PRODUCTS MEET EUROPEAN UNION DIRECTIVES AND OTHER COUNTRY REGULATIONS AS DESCRIBED IN GS-22-008.

2	EA	IDC CONN: 2.54PITCH 2*25PIN, 0.76um Au, WITH CENTRAL KEY AND WITHOUT STRAIN RELIEF, FCI P/N:71600-150LF	2
A/R	M	FLAT CABLE: 1.27PITCH 28AWG*50C, UL2651, COLOR:GRAY	1
Q'TY	UNIT	DESCRIPTION	ITEM

TOLERANCES UNLESS OTHERWISE SPECIFIED		tolerance std	material	dr	Carl Wang	2014-12-10	projection	size	scale
linear	X	±	mat code	eng	Carl Wang	2014-12-10	MM	A3	N/A
	0.X	±	heattreat	chr	Guo-Feng Jin	2014-12-10			
	0.XX	±	plating/finish	appr	Guo-Feng Jin	2014-12-10	ecn no		
	0.XXX	±	spec. ref			product family	rel level		
0.XXXX	±	surface	model none			FCI	QUICKIE IDC CABLE ASSEMBLY	10129385-P0009YYLF	
0	±*	model revision			www.Fci.com				cat. no.