

Excellent Integrated System Limited

Stocking Distributor

Click to view price, real time Inventory, Delivery & Lifecycle Information:

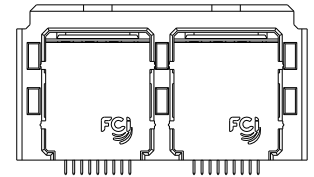
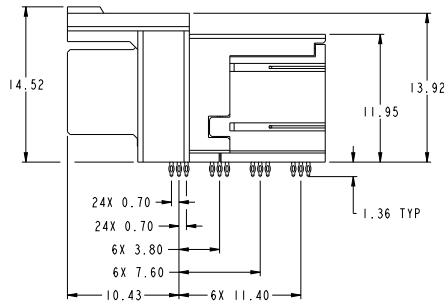
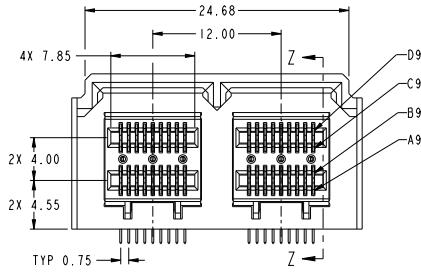
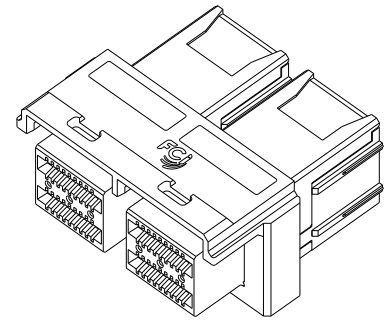
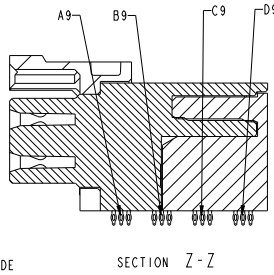
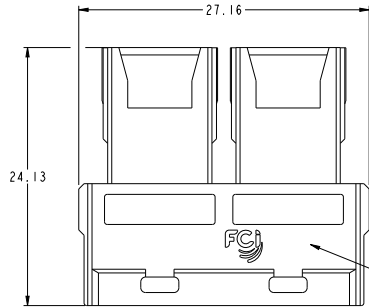
[FCI](#)

[10130812-101LF](#)

For any questions, you can email us directly:

sales@integrated-circuit.com

PRODUCT NUMBER	HS0&P FRAME
10130812-101LF	COLOR
	BLACK



NOTES:

- MATERIALS:
CONNECTOR HOUSING: HIGH TEMPERATURE THERMOPLASTIC
GLASS FILLED, UL 94V-0
TERMINALS: COPPER ALLOY
- FINISHES:
CONTACT AREA: 0.76µm GOLD OVER 2.54µm NICKEL
CONTACT TAIL AREA: 0.76µm - 1.52µm TIN OVER 2.54µm NICKEL.
- PRODUCT SPECIFICATION: GS-12-650.
APPLICATION SPECIFICATION: GS-20-0356
- RECOMMENDED MOUNTING HARDWARE:
OPTION 1: M2 X 0.40mm SELF-THREADING SCREW
OPTION 2: M2 X 0.80mm SELF-THREADING SCREW
OPTION 3: M2 X 0.91mm SELF-THREADING SCREW
RECOMMENDED MOUNTING SCREW LENGTH: PCB THICKNESS + 2.5±0.35mm.
- THIS CONNECTOR IS DESIGNED TO MEET THE REQUIREMENTS OF INDUSTRY SPECIFICATION SFF-8643.
- A Δ SYMBOL WILL BE NEXT TO ANY DIMENSION, VIEW, OR NOTE THAT HAS BEEN MODIFIED WITH THE CURRENT DRAWING REVISION.

MATES WITH MINI-SAS HD ENDS IN:
10119217 SERIES (4i)
10119312 SERIES (4i)
10120086 SERIES (4i)
10120087 SERIES (4i)
10119576 SERIES (8i)
10119577 SERIES (8i)
10120088 SERIES (8i)
10120089 SERIES (8i)

spec.ref	-	dr	junlin.dou	designed	projection	MM	size	A2	scale	A:1
tolerance std	TOLERANCES UNLESS OTHERWISE SPECIFIED	eng	junlin.dou	checked	product family	MINI-SAS HD	acc no		rel level	Released
ASME Y14.5		chr		approved						
surface	linear	0.1	±0.35	www.fci.com	1X2 INTERNAL ASSEMBLY		deg	10130812	rev	A
ASME Y14.5	angular	0.25	±		MINI-SAS HD					

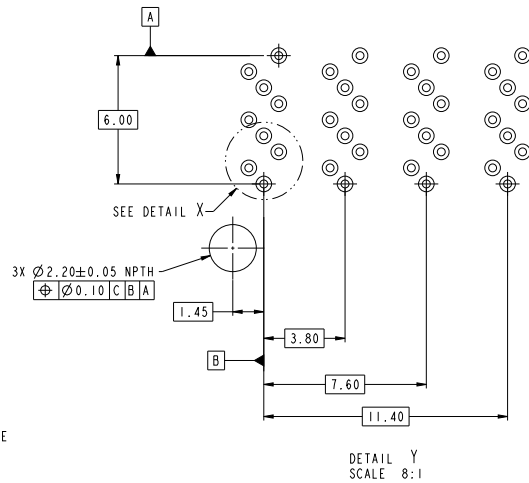
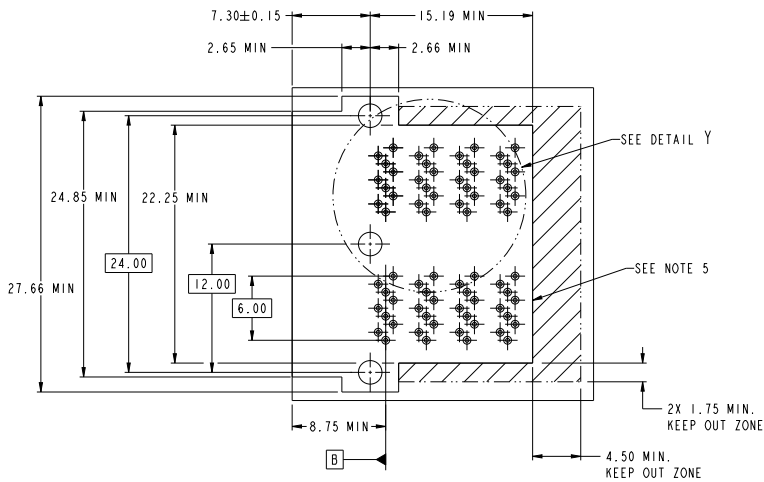
PDS: Rev: A

STATUS: Released

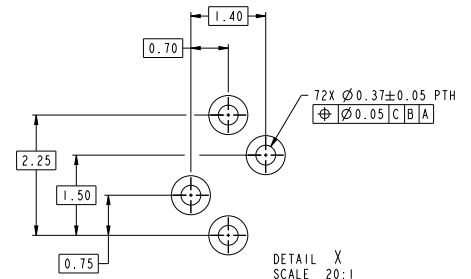
Printed: Dec 19, 2014

Copyright FCI

RECOMMENDED PC BOARD LAYOUT



DETAIL Y
SCALE 8:1



DETAIL X
SCALE 20:1

NOTES:

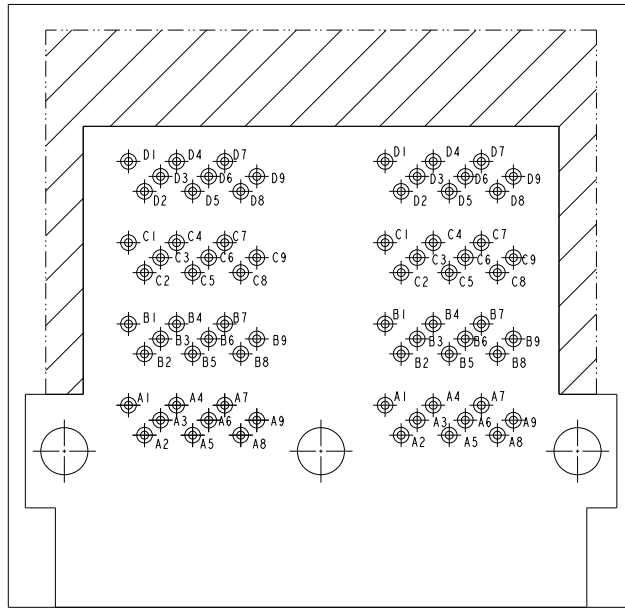
1. RECOMMENDED DRILL SIZE FOR A Ø0.37 FINISHED PTH IS Ø0.457(#77 DRILL).
2. RECOMMENDED ANNULAR RING AROUND Ø0.37 FINISHED PTH IS Ø0.73.
3. MINIMUM RECOMMENDED SPACING : 14.00mm.
4. MINIMUM PCB THICKNESS : 1.57mm.
5. CONNECTOR KEEP OUT AREA.

spec. ref.	-	dr.	ashish.das	approved	projection	MM	size	A2	scale	2:1
tolerance std	ASME Y14.5	eng	ashish.das	checked	product family	MINI-SAS HD	acc no		rel level	Released
surface	linear	0.1	±0.35	FCI	IX2 INTERNAL ASSEMBLY		part no	10130812	rev	A
	angular	0.25	±	www.fci.com	MINI-SAS HD		cat. no.		Product	Customer Draw
ASME Y14.5		0°	±2°						sheet 2 of 4	

PDS: Rev: A

STATUS: Released

Printed: Dec 19, 2014



PIN OUT DESIGNATIONS

Copyright FCI

spec. ref.	-	dr.	04/06/2014	revision	001	projection	MM	size	A2	scale	2:1
tolerance std	ASME Y14.5	eng	04/06/2014	checked		product family	MINI-SAS HD	rel. level	Released		
surface	linear	0.1	±0.35	FCI	IX2 INTERNAL ASSEMBLY	part no.	10130812	rev	A		
		0.2X	±0.25	www.fci.com	MINI-SAS HD	cat. no.		Product	Customer Draw	sheet 3 of 4	
ASME Y14.5	angular	0°	±2°								

PDS: Rev :A

STATUS: Released

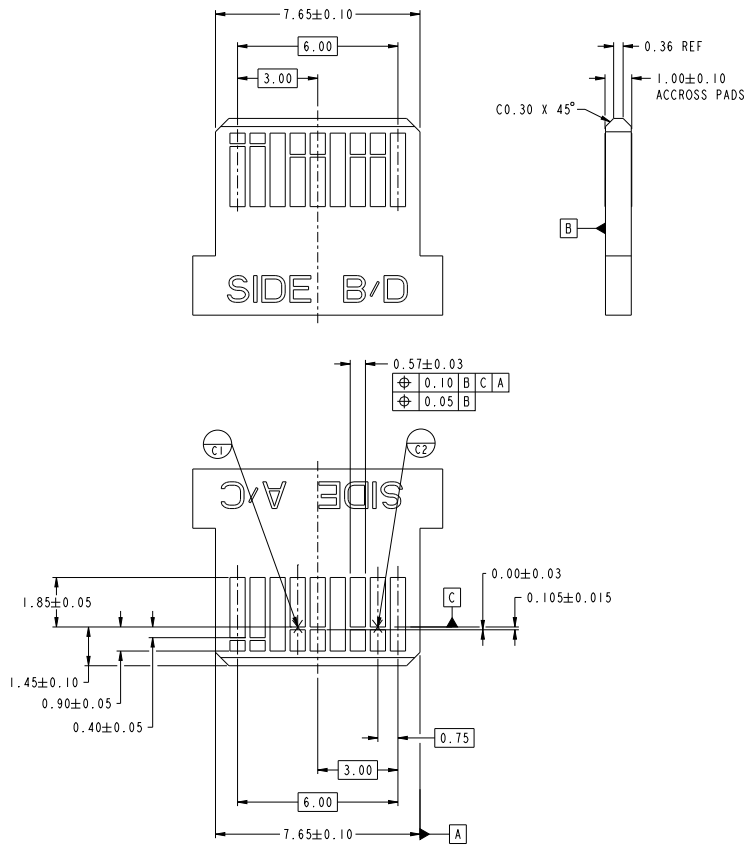
Printed: Dec 19, 2014

2

3

4

5



NOTES:

- 0.05 MINIMUM KEEP OUT SOLDER MASK AROUND ALL PADS.
- DATUM C TARGETS ARE DEFINED BY THE RESPECTIVE PAD CENTER LINES AND THE LEADING EDGE OF THE TARGET PADS.

spec. ref.	-	dr.	junhua.dou	approved	projection	MM	size	A2	scale	2:1
tolerance std	ASME Y14.5	eng	junhua.dou	checked	product family	MINI-SAS HD	rel. level	Released		
surface	linear	0.1	± 0.35		IX2 INTERNAL ASSEMBLY		10130812	A	rev	A
ASME Y14.5	angular	0.25	± 0.25		MINI-SAS HD					
		0.25	± 0.25	www.fci.com	cat. no.	-	Product - Customer Draw	sheet 4 of 4		

PDS: Rev: A

STATUS: Released

Printed: Dec 19, 2014