

Excellent Integrated System Limited

Stocking Distributor

Click to view price, real time Inventory, Delivery & Lifecycle Information:

[FCI](#)

[10024234-002LF](#)

For any questions, you can email us directly:

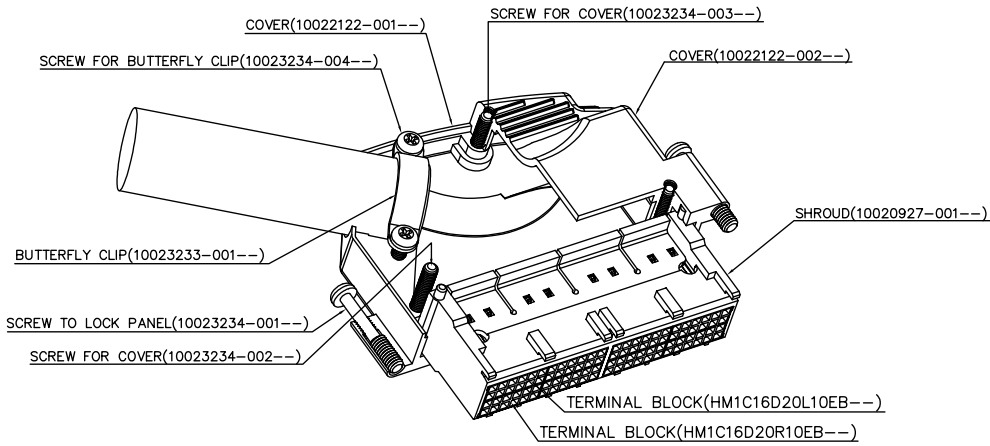
sales@integrated-circuit.com

1 | 2 | 3 | 4 | 5 | 6

PART NUMBER
10024234-001
10024234-001LF

KIT'S COMPONENTS TABLE

COMPONENTS NAME	COVER		SHROUD	TERMINAL BLOCK ASSEMBLY		BUTTERFLY CLIP	SCREW TO LOCK PANEL	SCREW FOR COVER ASSEMBLY		SCREW FOR BUTTERFLY CLIP
P/N'S 10024234-001	10022122-001	10022122-002	10020927-001LF	HM1C16D20L10EB (BFC202710002)	HM1C16D20R10EB (BFC202710005)	10023233-001	10023234-001	10023234-002	10023234-003	10023234-004
Q'TY/KIT	1 PC	1 PC	1 PC	4 PCS	4 PCS	1 PC	2 PCS	2 PCS	1 PC	2 PCS
P/N'S 10024234-001LF	10022122-001LF	10022122-002LF	10020927-001LF	HM1C16D20L10EBLF (BFC202710002)	HM1C16D20R10EBLF (BFC202710005)	10023233-001LF	10023234-001LF	10023234-002LF	10023234-003LF	10023234-004LF



Note:

1. THIS PRODUCT WITH "LF" SUFFIX MEETS EUROPEAN UNION DIRECTIVES AND OTHER COUNTRY REGULATIONS AS DESCRIBED IN GS -22-008.
2. THE PRODUCT IS NOT INTENDED TO BE EXPOSED TO A MANUFACTURING SOLDER PROCESS.

mat'l code		tolerance unless otherwise specified		CUSTOMER		 www.fciconnect.com	
rev.	ecn no.	dr	date	linear	COPY	projection	title
A	pg03-0012	AZ	10/30/03				96P CABLE I/O CONNECTOR KIT
B	pg03-0094	AZ	12/05/03				
C	pg05-0420	CL	10/26/05	angles			
				dr	ANTONIO ZHU	12/04/03	unit
				enr	ANTONIO ZHU	12/04/03	mm/inch
				chr	ANTONIO ZHU	12/04/03	scale
				appd	JOSEPH HSIAH	12/05/03	
sheet	revision	C	C	C			product family
index	sheet	1	2	3	4		CABLE CONNECTOR
							size
							dwg no.
							A3
							10024234
							code
							1 OF 4

PDM: Rev:C

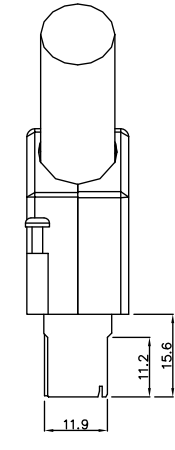
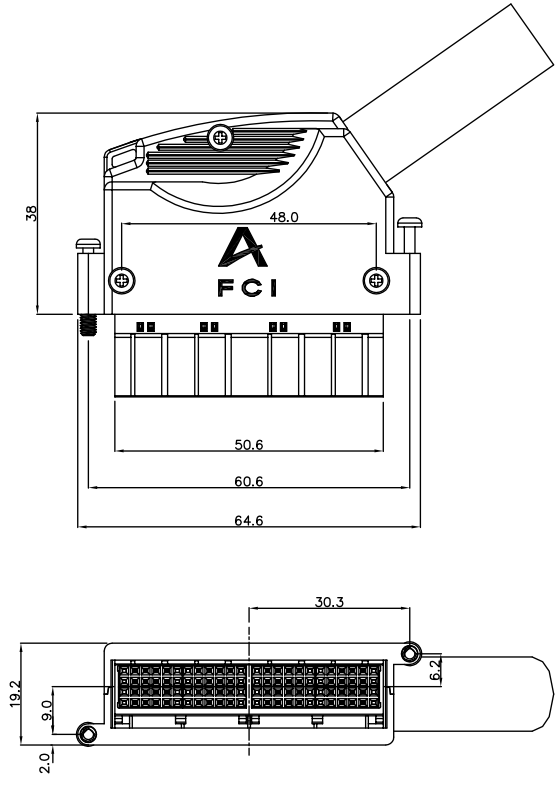
STATUS: Released

Printed: Jul 29, 2010

1 | 2 | 3 | 4 | 5 | 6

All rights strictly reserved. Reproduction or issue to third parties in any form without the written authority of FCI is prohibited. Copyright © 2010 FCI ELECTRONICS.

PART NUMBER
10024234-001
10024234-001LF



mat'l code		tolerance unless otherwise specified		CUSTOMER COPY		FCI www.fciconnect.com	
rev.	ecn no.	dr	date	linear	projection	title	
c						96P Cable I/O Connector Kit	
				angles		product family	CABLE CONNECTOR
		dr	ANTONIO ZHU 12/04/03	unit	mm/inch	size	dwg no.
		enr	ANTONIO ZHU 12/04/03	scale	A3	10024234	sheet 2 OF 4
		chr	ANTONIO ZHU 12/04/03				
		appd	JOSEPH HSIAI 12/05/03				
sheet	revision						
index	sheet						

PDM: Rev:C

STATUS: Released

Printed: Jul 29, 2010

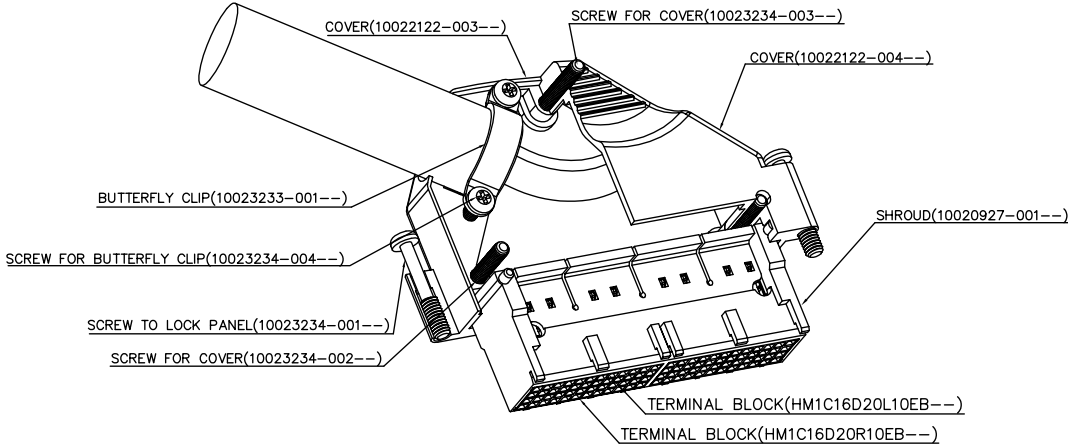
All rights strictly reserved. Reproduction or issue to third parties in any form without the written authority from the proprietor. Property of FCI ELECTRONICS. Copyright FCI ELECTRONICS by

Tous droits strictement réservés. Reproduction ou communication à des tiers sans autorisation écrite du propriétaire. Propriété de FCI ELECTRONICS. Tous droits de reproduction réservés à FCI ELECTRONICS par

1	2	3	4	5	6
PART NUMBER					
10024234-002					
10024234-002LF					

KIT'S COMPONENTS TABLE

COMPONENTS NAME	COVER		SHROUD	TERMINAL BLOCK ASSEMBLY		BUTTERFLY CLIP	SCREW TO LOCK PANEL	SCREW FOR COVER ASSEMBLY		SCREW FOR BUTTERFLY CLIP
P/N'S 10024234-002	10022122-003	10022122-004	10020927-001LF	HM1C16D20L10EB (BFC202710002)	HM1C16D20R10EB (BFC202710005)	10023233-001	10023234-001	10023234-002	10023234-003	10023234-004
Q'TY/KIT	1 PC	1 PC	1 PC	4 PCS	4 PCS	1 PC	2 PCS	2 PCS	1 PC	2 PCS
P/N'S 10024234-002LF	10022122-003LF	10022122-004LF	10020927-001LF	HM1C16D20L10EBLF (BFC202710002)	HM1C16D20R10EBLF (BFC202710005)	10023233-001LF	10023234-001LF	10023234-002LF	10023234-003LF	10023234-004LF



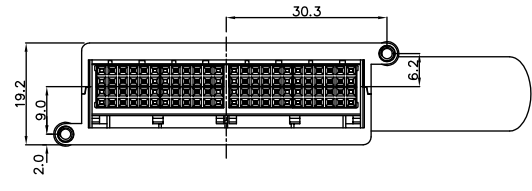
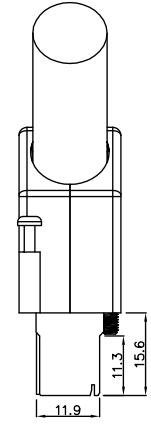
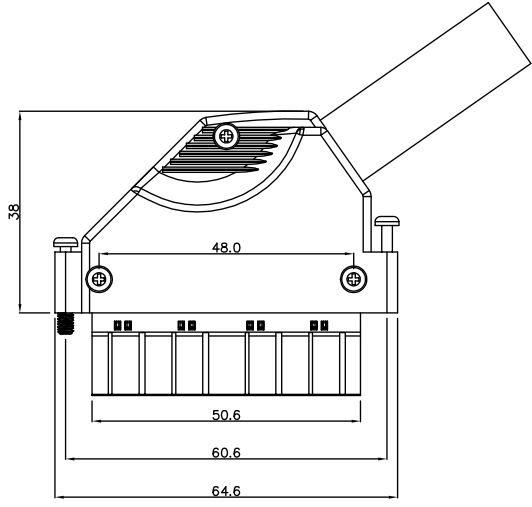
Note:

1. THIS PRODUCT WITH "LF" SUFFIX MEETS EUROPEAN UNION DIRECTIVES AND OTHER COUNTRY REGULATIONS AS DESCRIBED IN GS -22-008.
2. THE PRODUCT IS NOT INTENDED TO BE EXPOSED TO A MANUFACTURING SOLDER PROCESS.

mat'l code		tolerance unless otherwise specified		CUSTOMER				www.fciconnect.com	
rev.	ecn no.	dr	date	linear	COPY	projection	title		
C							96P CABLE I/O CONNECTOR KIT		
				angles			product family	CABLE CONNECTOR	code
				dr	ANTONIO ZHU	12/04/03	unit		
				enr	ANTONIO ZHU	12/04/03	size	mm /inch	
				chr	ANTONIO ZHU	12/04/03	scale	A3	10024234
				appd	JOSEPH HSIA	12/05/03	sheet	3	OF
sheet	revision								
index	sheet								

Tous droits strictement réservés. Toute réimpression ou communication sans autorisation écrite de BERG ELECTRONICS est formellement interdite.
 All rights strictly reserved. Reproduction or issue to third parties in any form without the written authority from the proprietor.
 Copyright BERG ELECTRONICS BV

PART NUMBER
10024234-002
10024234-002LF



mat'l code	tolerance unless otherwise specified	CUSTOMER COPY	FCI	www.fciconnect.com
rev. ecn no. dr date	linear	projection	title	
c	angles		96P Cable I/O Connector Kit	
	dr ANTONIO ZHU 12/04/03	unit	product family	CABLE CONNECTOR
	enr ANTONIO ZHU 12/04/03	mm/inch	size	dwg no.
	chr ANTONIO ZHU 12/04/03	scale	A3	10024234
	appd JOSEPH HSIAI 12/05/03			sheet 4 OF 4
sheet revision				
index sheet				

PDM: Rev:C STATUS **Released** Printed: Jul 29, 2010

All rights strictly reserved. Reproduction or issue to third parties in any form without the written authority from the proprietor. Property of FCI ELECTRONICS. Copyright FCI ELECTRONICS by

Tous droits strictement réservés. Reproduction ou communication à des tiers sans autorisation écrite du propriétaire. Propriété de FCI ELECTRONICS. Droits de reproduction FCI ELECTRONICS by