

Excellent Integrated System Limited

Stocking Distributor

Click to view price, real time Inventory, Delivery & Lifecycle Information:

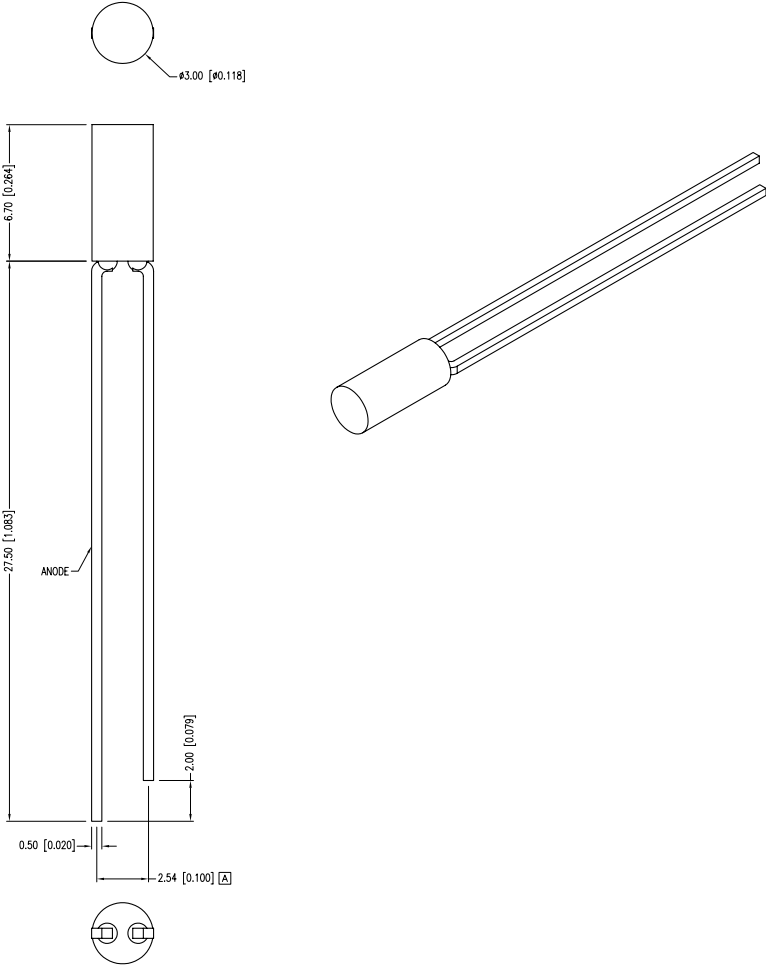
[Lumex, Inc.](#)
[SSL-LX30FT4YD-TD](#)

For any questions, you can email us directly:

sales@integrated-circuit.com

UNCONTROLLED DOCUMENT

| | | | |
|-------------|-------------------------------------|------|------|
| PART NUMBER | SSL-LX30FT4YD-TD | REV. | B |
| DATE | E.C.N. NUMBER AND REVISION COMMENTS | | REV. |
| 10.02.00 | E.C.N. #10666. | | A |
| 05.10.12 | E.C.N. #10BRDR. & REDRAWN. | | B |



| ELECTRO-OPTICAL CHARACTERISTICS T _a =25°C I _f =20mA | | | | | |
|---|-----------------|-----|-----|----------------|-----------------------|
| PARAMETER | MIN | TYP | MAX | UNITS | TEST COND |
| PEAK WAVELENGTH | | 585 | | nm | |
| FORWARD VOLTAGE | | 2.1 | 2.5 | V _f | I _f =100μA |
| REVERSE VOLTAGE | 5.0 | | | V _r | I _f =20mA |
| AXIAL INTENSITY | | 9 | | mcd | |
| VIEWING ANGLE | | 100 | | 2x theta | |
| EMITTED COLOR: | YELLOW | | | | |
| LENS FINISH: | YELLOW DIFFUSED | | | | |

| LIMITS OF SAFE OPERATION AT 25°C | | |
|----------------------------------|------------|-------|
| PARAMETER | MAX | UNITS |
| PEAK FORWARD CURRENT* | 150 | mA |
| STEADY CURRENT | 30 | mA |
| POWER DISSIPATION | 105 | mW |
| DERATE FROM 25°C | -1.6 | mW/°C |
| OPERATING TEMP. | -40 TO +85 | °C |
| STORAGE TEMP. | -40 TO +85 | °C |
| SOLDERING TEMP. | +260 | °C |
| 2.0mm FROM BODY | 3 | SEC. |

* t_{10μs}

*UNLESS OTHERWISE SPECIFIED TOLERANCES PER DECIMAL PRECISION ARE: X=±1 (±0.039), XX=±0.5 (±0.020), XXX=±0.25 (±0.010), XXXX=±0.127 (±0.005). LEAD SIZE=±0.05 (±0.002), LEAD LENGTH=±0.75 (±0.030). MIN= ^{+0.00} _{-0.00} DECIMAL PRECISION MAX= ^{+0.00} _{-0.00} DECIMAL PRECISION UNCONTROLLED DOCUMENT

LUMEX
 Creating LED and LCD Solutions Together™

290 E. HELEN ROAD
 PALATINE, IL 60067-6976
 PHONE: +1.847.359.2790
 FAX: +1.847.359.6538
 WEB: WWW.LUMEX.COM
 MEMBER OF ITW PHOTONICS GROUP

T-3mm (T-1) 585nm YELLOW, FLANGLESS FLAT TOP LED, YELLOW TOP DIFFUSED LENS.

THE SPECIFICATIONS MAY CHANGE AT ANY TIME WITHOUT NOTICE DUE TO NEW MATERIALS OR PRODUCT IMPROVEMENT.

CONFIDENTIAL INFORMATION

THE INFORMATION CONTAINED IN THIS DOCUMENT IS THE PROPERTY OF LUMEX INC. EXCEPT AS SPECIFICALLY AUTHORIZED IN WRITING BY LUMEX INC., THE HOLDER OF THIS DOCUMENT SHALL KEEP ALL INFORMATION CONTAINED HEREIN CONFIDENTIAL AND SHALL PROTECT SAME IN WHOLE OR IN PART FROM DISCLOSURE AND DISSEMINATION TO ALL THIRD PARTIES.

| | | | |
|--------|-----------|-----------|----|
| DATE: | 05.10.12 | DRAWN BY: | AB |
| PAGE: | 1 OF 1 | CHKD BY: | SS |
| SCALE: | NTS | APRVD BY: | SS |
| UNIT: | mm [INCH] | | |