

Excellent Integrated System Limited

Stocking Distributor

Click to view price, real time Inventory, Delivery & Lifecycle Information:

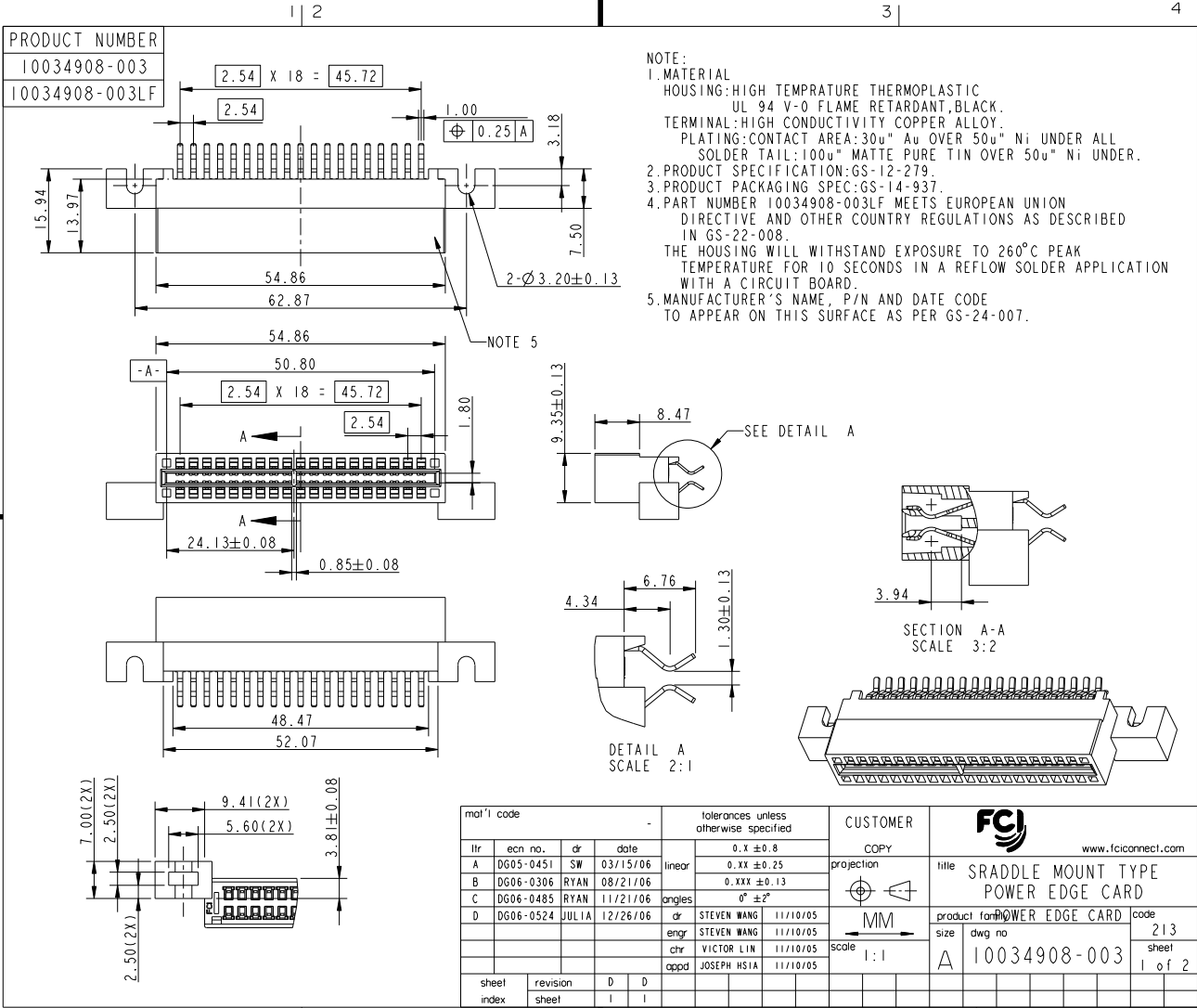
[FCI](#)
[10034908-003LF](#)

For any questions, you can email us directly:
sales@integrated-circuit.com

Tous droits strictement réservés. Reproduction ou communication à des tiers
interdite sous quelque forme que ce soit sans autorisation écrite du propriétaire.
Propriété de FCI. Droits de reproduction FCI.



All rights strictly reserved. Reproduction or issue to third parties in any
form whatever is not permitted without written authority from the proprietor.
Property of FCI. Copyright FCI.



1 | 2

Pro/E

PDM: Rev: D

STAT: US: Released

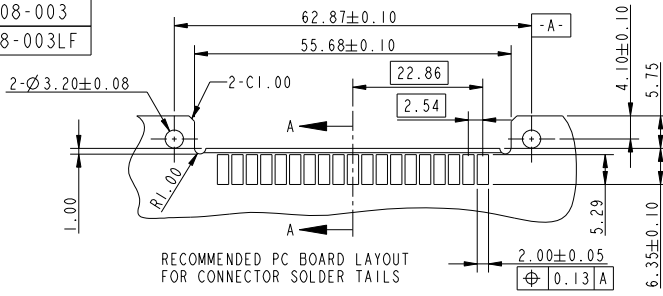
Printed: Dec 03, 2010

Tous droits strictement réservés. Reproduction ou communication à des tiers
 interdite sous quelque forme que ce soit sans autorisation écrite du propriétaire.
 Property of FCI. Copyright FCI. Droits de reproduction FCI.

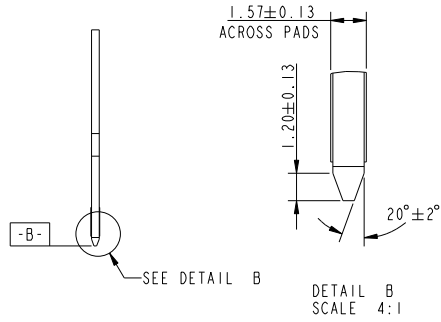
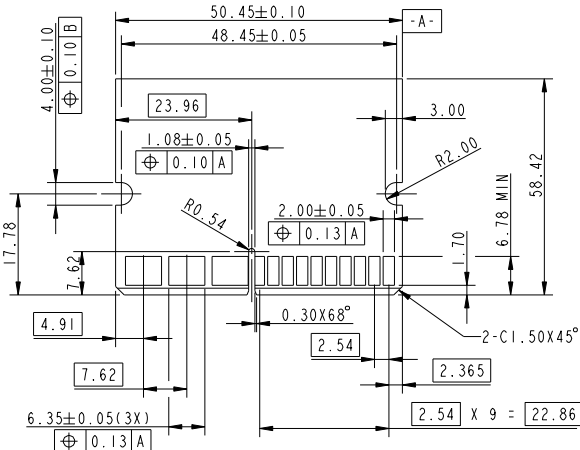
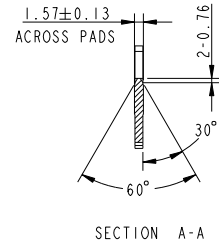


All rights strictly reserved. Reproduction or issue to third parties in any
 form whatever is not permitted without written authority from the proprietor.
 Property of FCI. Copyright FCI.

PRODUCT NUMBER
10034908-003
10038908-003LF



RECOMMENDED PC BOARD LAYOUT
FOR CONNECTOR SOLDER TAILS



RECOMMENDED MATING BOARD EDGE CONFIGURATION

mat'l code				tolerances unless otherwise specified		CUSTOMER		FCI www.fciconnect.com	
ltr	ecn no.	dr	date	linear	0.X ±0.8	COPY	title STRADDLE MOUNT TYPE POWER EDGE CARD		
D				angles	0.XX ±0.25	projection	product family POWER EDGE CARD code 213		
				dr	0.XXX ±0.13	MM	size dwg no 10034908-003 sheet 2 of 2		
				enr	0° ±2°	scale	A		
				chr	STEVEN WANG 11/10/05	1:1	cage code 22536		
				appd	STEVEN WANG 11/10/05		STATUS: Released		
					VICTOR LIN 11/10/05		Printed: Dec 03, 2010		
					JOSEPH HSIA 11/10/05				
sheet index	revision sheet								

1 | 2

Pro/E

PDM: Rev: D

STATUS: Released

Printed: Dec 03, 2010