

Excellent Integrated System Limited

Stocking Distributor

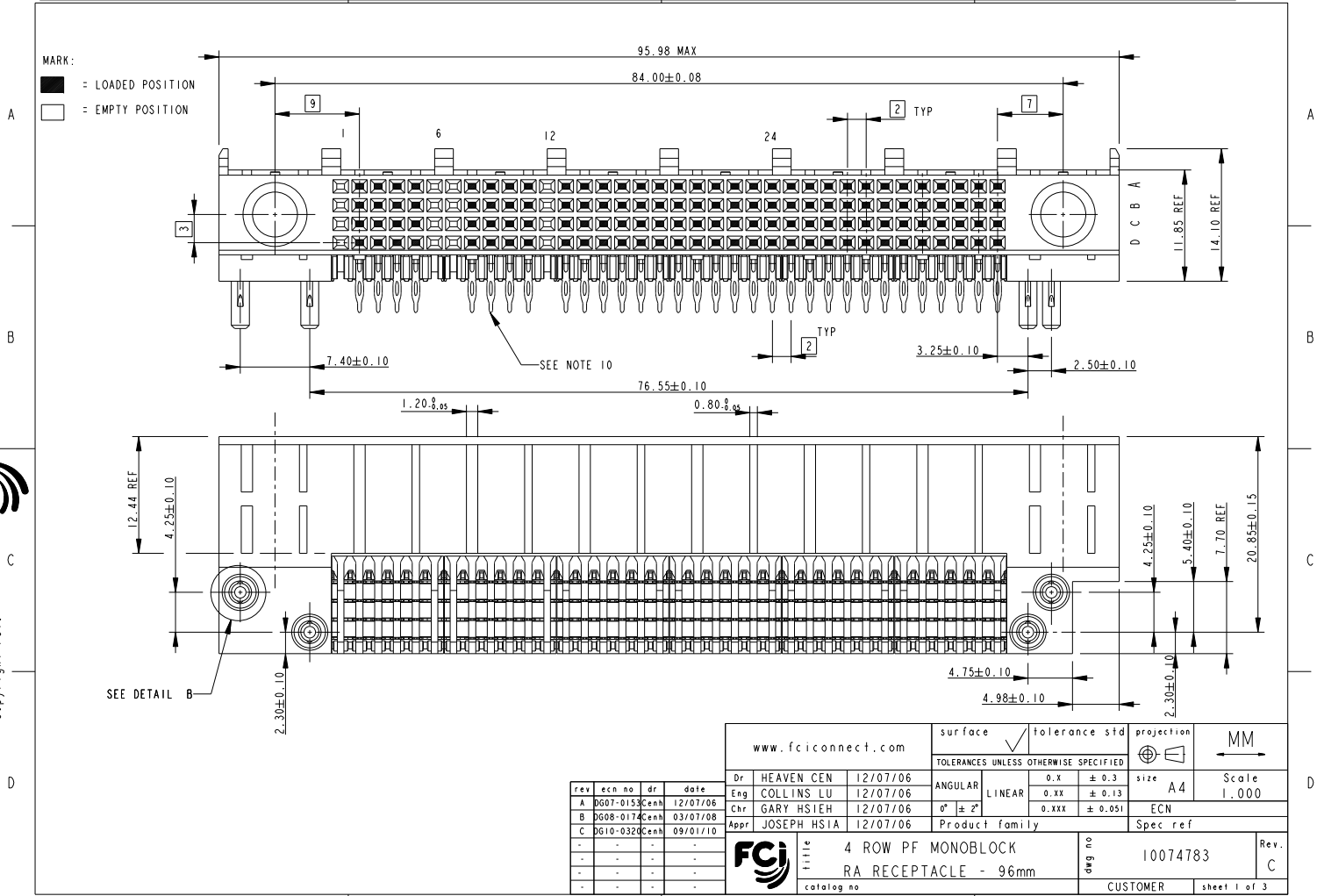
Click to view price, real time Inventory, Delivery & Lifecycle Information:

[FCI](#)

[10074783-101LF](#)

For any questions, you can email us directly:

sales@integrated-circuit.com



Copyright FCI.

rev	ecm no	dr	date
A	DG07-0153	cehh	12/07/06
B	DG08-0174	cehh	03/07/08
C	DG10-0320	cehh	09/01/10
-	-	-	-
-	-	-	-
-	-	-	-

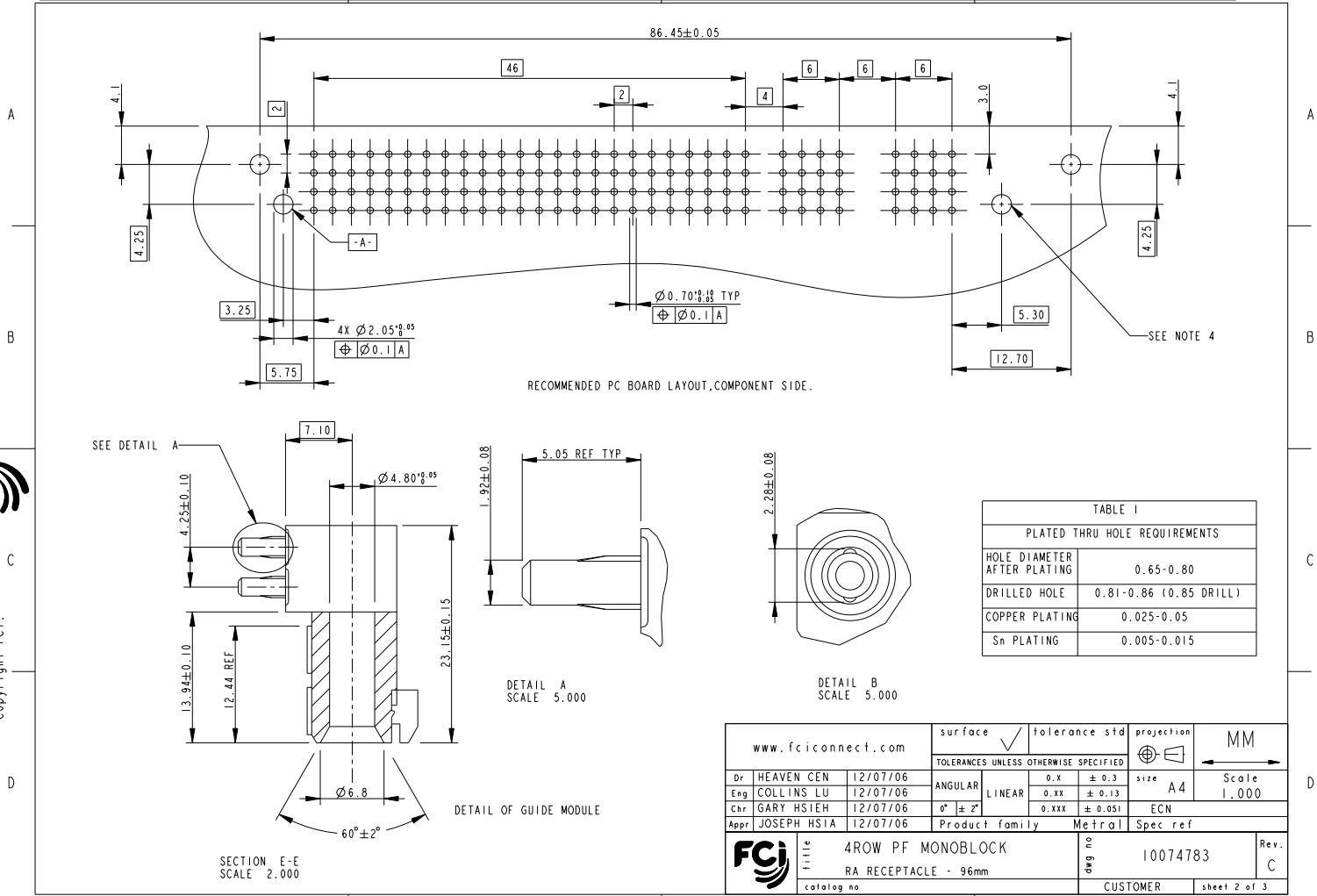
www.fciconnect.com			surface	tolerance	std	projection	MM		
			ANGULAR	TOLERANCES UNLESS OTHERWISE SPECIFIED			A4		
Dr	HEAVEN CEN	12/07/06	LINEAR	0.X	± 0.3			size	Scale
Eng	COLLINS LU	12/07/06		0.XX	± 0.13				
Chr	GARY HSIEH	12/07/06	0° ± 2°	0.XXX	± 0.051	ECN	1.000		
Appr	JOSEPH HSIA	12/07/06	Product family		Spec ref				
			Title 4 ROW PF MONOBLOCK RA RECEPTACLE - 96mm			dwg no 10074783		Rev. C	
catalog no			CUSTOMER			sheet 1 of 3			

REV F - 2006-00-17

PDM: Rev:C

STATUS Released

4 Printed: Oct 16, 2010



Copyright FCI.

REV F - 2006-00-17

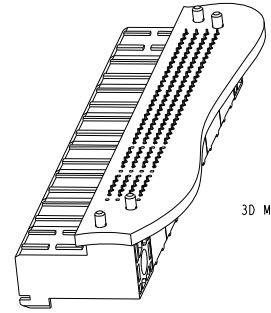
PDM: Rev:C

STATUS Released

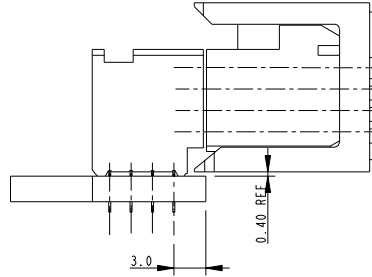
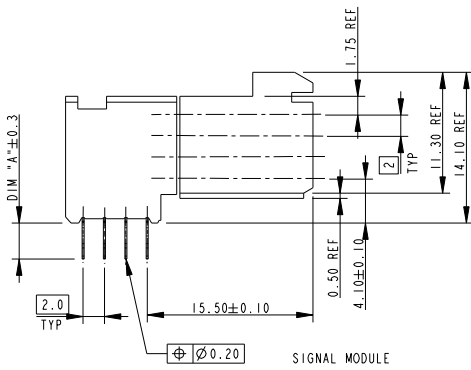
4 Printed: Oct 16, 2010

PRODUCT NR:	PCB THICKNESS	DIM "A"
10074783-101LF	2.4	3.53

PRODUCT NR:	PLATING CONTACT AREA:	UNDERPLATING	PERFORMANCE LEVEL
10074783-101LF	0.8 um GOLD OR GXT	1.3 um Ni MIN.	TELCORDIA CO



3D MODEL



NOTES:

1. BODY MAT'L: LIQUID CRYSTAL POLYMER 30% GLASS
FLAME RETARDANT ACC. UL 94-V0
2. TERMINAL MATERIAL: PHOSPHOR BRONZE.
3. TAIL PLATING: 2-8 um PURE Sn
4. INDICATED HOLES ARE UNPLATED.
5. PRODUCT MARKING: PARTNUMBER & BATCH ID.
6. THIS PRODUCT MEETS EUROPEAN UNION DIRECTIVES AND OTHER COUNTRY REGULATIONS AS DESCRIBED IN GS-22-008
7. ALL PRODUCTS WILL WITHSTAND EXPOSURE TO 240 DEGREE FOR 60 SECONDS IN A CONVECTION, INFRARED OR VAPOR PHASE REFLOW OVEN.
8. TOP SURFACE OF PRESS BLOCK MAY EXTEND UP TO 0.4MM HIGHER THAN HOUSING THIS MAY AFFECT THE TAIL LENGTH BEFORE APPLICATION TO A BOARD
9. PRESS IN TOOL SHOULD COVER THE WHOLE CONNECTOR LENGTH
10. PRESS FIT ACCORDING PRODUCT SPECIFICATION GS-12-002

www.fciconnect.com			surface	tolerance std	projection	MM	
			✓		⊕		
			TOLERANCES UNLESS OTHERWISE SPECIFIED		size	Scale	
Dr	HEAVEN CEN	12/07/06	ANGULAR	0.x	± 0.3	A4	1.000
Eng	COLLINS LU	12/07/06	LINEAR	0.xx	± 0.13		
Chr	GARY HSIEH	12/07/06	0° ± 2°	0.xxx	± 0.051	ECN	
Appr	JOSEPH HSIA	12/07/06	Product family	Metal	Spec ref		
FCI			Title		Part no	Rev.	
			4 ROW PF MONOBLOCK		10074783	C	
			RA RECEPTACLE - 96mm		CUSTOMER	sheet 3 of 3	
			catalog no				

REV F - 2006-00-17

PDM: Rev:C

STATUS Released

4 Printed: Oct 16, 2010



Copyright FCI.