

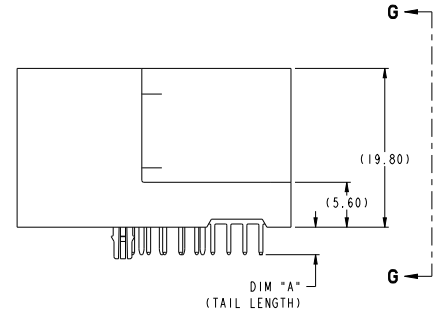
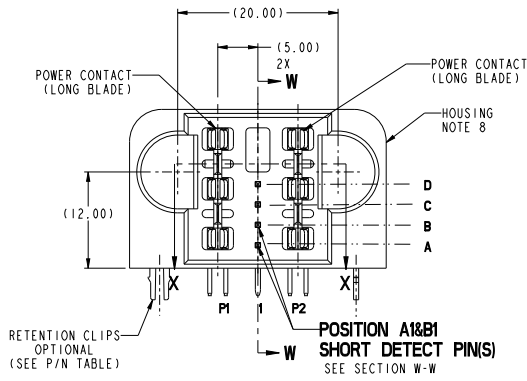
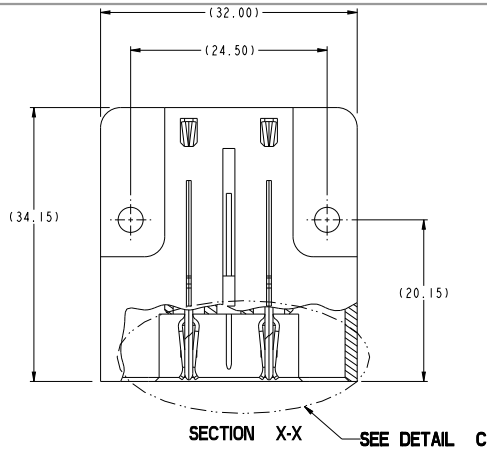
Excellent Integrated System Limited

Stocking Distributor

Click to view price, real time Inventory, Delivery & Lifecycle Information:

[FCI](#)
[10108304-001LF](#)

For any questions, you can email us directly:
sales@integrated-circuit.com

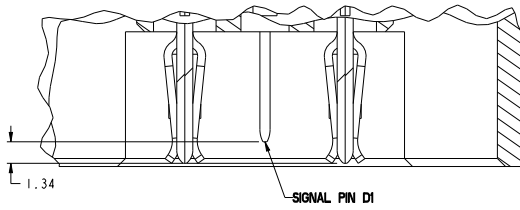


spec ref	*	dr	date	revision	projection	MM	size	A2	scale	1:1
tolerance std	ASME Y14.5	eng	John Zhang	designer	check		acc no		rel level	Released
TOLERANCES UNLESS OTHERWISE SPECIFIED		appr	Wei Wang Zhang	processor	product family		-		-	
surface	linear	0.1	±.5	FCI	R/A HDR ASSY 1P-4S-1P		10108304	rev	A	
		0.2X	±.25		HCL POWER CONNECTOR					
	angular	0°	±.2°	www.fci.com	cat. no.	-	Product	Customer Draw	sheet 1 of 5	

PDS: Rev: A

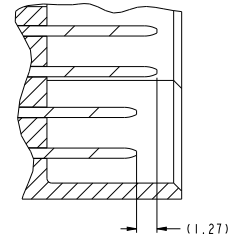
STATUS: Released

Printed: Jul 23, 2012



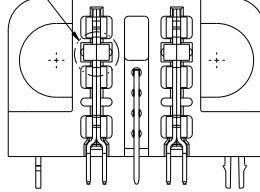
SIGNAL PIN D1

DETAIL C
SCALE 6:1
POWER MATING
SEQUENCE



SECTION W-W
SCALE 6:1
SIGNAL MATING
SEQUENCE

KEYED FOR SHORT CONTACT
2X



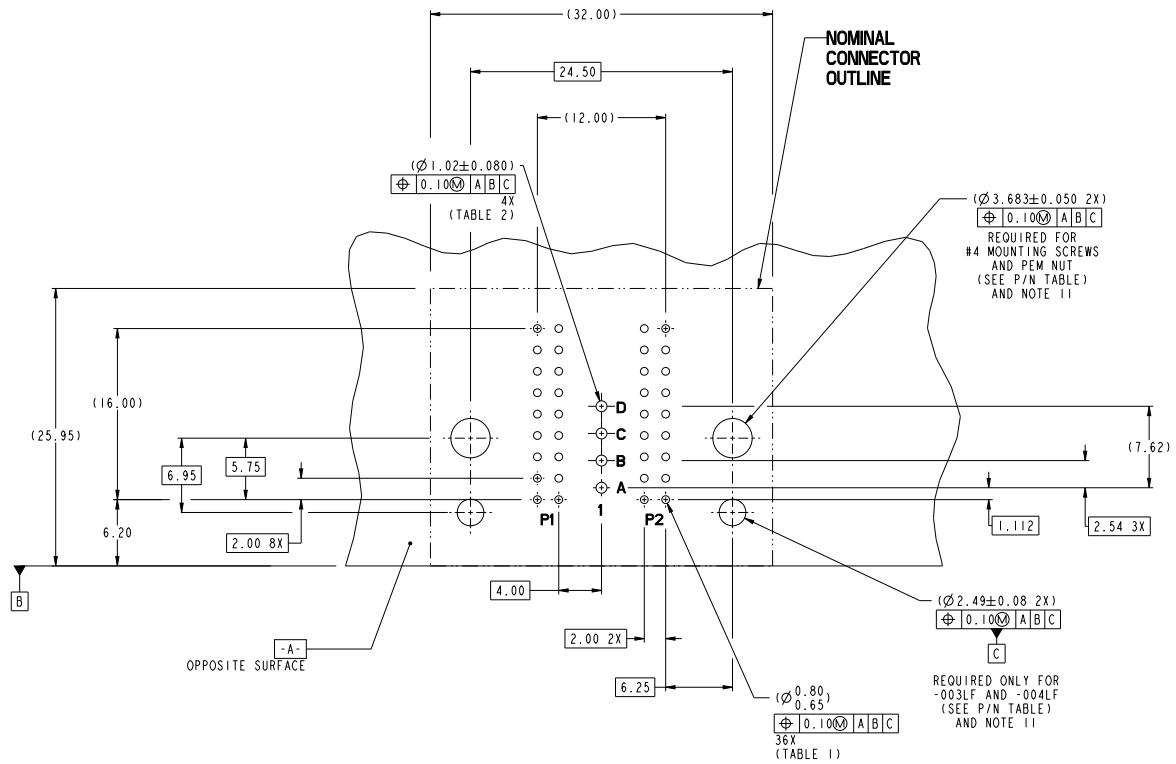
VIEW G-G

spec ref	*	dr	chm	projection	MM	size	A2	scale	1:1
tolerance std	ASME Y14.5	tolerances unless otherwise specified	www.fcil.com	product family	R/A HDR ASSY 1P-4S-1P HCL POWER CONNECTOR	acc no	10108304	rel level	Released
surface	linear	0.1	±.5	0.2X	±.25	0.2X	±.10	angular	0°
ASME Y14.5	angular	0°	±.2°	www.fcil.com	cat. no.	Product	Customer Draw	sheet 2 of 5	rev A

PDS: Rev: A

STATUS: Released

Printed: Jul 23, 2012



**RECOMMENDED PCB LAYOUT
COMPONENT SIDE**

NOTE 6

spec ref	*	dr	date	revision	projection	MM	size	A2	scale	1:1
tolerance std	TOLERANCES UNLESS OTHERWISE SPECIFIED	eng	John Zhang	02/2012	1st angle		acc no			
ASME Y14.5		chr					rel level		Released	
surface	linear	appr	John Zhang				product family			
	0.1									
	±.5									
	0.25									
	±.10									
ASME Y14.5	angular									
	0°									
	±2°									

PDS: 6 rev :A

STATUS: Released

Printed: 23, 2012

Copyright FCI

A
B
C
D
E
F

A
B
C
D
E
F

TOP LAYER DESCRIPTION	TABLE 1 (HCI POWER) PLATED THROUGH-HOLE REQUIREMENTS							
	DRILLED HOLE DIAMETER	COPPER THICKNESS	TIN-LEAD THICKNESS	NICKEL THICKNESS	GOLD THICKNESS	TIN THICKNESS	SILVER THICKNESS	FINISHED HOLE DIAMETER
TIN-LEAD	0.81-0.86 (0.85 DRILL)	0.025 - 0.050	0.005 - 0.015	--	--	--	--	0.65 - 0.80
IMMERSION TIN	0.81-0.86 (0.85 DRILL)	0.025 - 0.050	--	--	--	0.9 - 1.5um	--	0.70 - 0.80
IMMERSION SILVER	0.81-0.86 (0.85 DRILL)	0.025 - 0.050	--	--	--	--	0.15 - 0.65um	0.70 - 0.80
COPPER (SEE NOTE 9)	0.81-0.86 (0.85 DRILL)	0.025 - 0.050	--	--	--	--	--	0.70 - 0.80
GOLD	0.81-0.86 (0.85 DRILL)	0.025 - 0.050	--	0.003 - 0.007	FLASH UP TO 0.0002	--	--	0.69 - 0.80

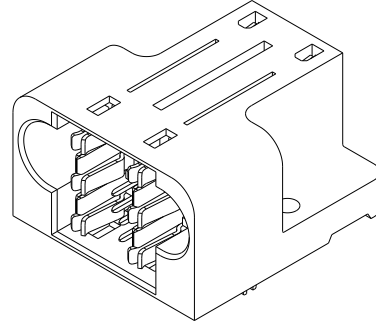
TOP LAYER DESCRIPTION	TABLE 2 (HPC SIGNALS) PLATED THROUGH-HOLE REQUIREMENTS			
	DRILLED HOLE DIAMETER	COPPER THICKNESS	TIN-LEAD THICKNESS	FINISHED HOLE DIAMETER
TIN-LEAD	1.125-1.175 ($\varnothing .0453 \pm .0010$)	0.025-0.050	0.005-0.015	0.94 - 1.10 ($\varnothing .040 \pm .003$)

Copyright FCI

spec ref	*	dr	date	revision	projection	MM	size	A2	scale	d:1
tolerance std	ASME Y14.5	eng	10/10/2012	00000000	1st angle		acc no		rel level	Released
TOLERANCES UNLESS OTHERWISE SPECIFIED		mgr	10/10/2012	00000000	product family					
surface	linear	0.1	±.5	FCI	R/A HDR ASSY 1P-4S-1P		10108304		rev	A
	angular	0.2X	±.25	www.fci.com	HCI POWER CONNECTOR		Product - Customer Draw		sheet	4 of 5
		0.2X	±.10							
		Ø	±.2							

PDS: Rev: A STATUS: Released Printed: 23, 2012

PART NUMBER	RETENTION CLIPS	#4 SCREW	DIM A (TAIL LENGTH)	TAIL TYPE
10108304-001LF	NO	YES	3.43	SOLDER TAIL
10108304-002LF	NO	YES	4.70	SOLDER TAIL
10108304-003LF	YES	NO	3.43	SOLDER TAIL
10108304-004LF	YES	NO	4.70	SOLDER TAIL



NOTES:

- CONNECTOR MATERIALS:
HOUSING: HIGH TEMPERATURE THERMOPLASTIC, BLACK
UL 94V-0 COMPLIANT
CONTACTS: HIGH PERFORMANCE COPPER ALLOY
- CONTACT FINISH (ref GS-12-380 SECTION 5.2)
- PRODUCT SPECIFICATION: GS-12-380. (IN PROGRESS)
- APPLICATION SPECIFICATION: GS-20-070. (IN PROGRESS)
- MINIMUM NOMINAL PCB THICKNESS: 1.6mm
- PACKAGING MEETS FCI SPECIFICATION GS-14-1073.
- HOUSING COMPONENT WILL WITHSTAND EXPOSURE TO 260°C PEAK TEMPERATURE FOR 60 SECONDS IN A CONVECTION, INFRA-RED, OR VAPOR PHASE REFLOW OVEN.
- COPPER PLATING THICKNESS IN CENTER OF VIA-HOLE CAN BE NO MORE THAN 0.003 LESS THAN OTHER AREAS.
- ALL HOLE SIZES ARE FINISHED HOLE SIZES.
- MOUNTING HOLES ARE UNPLATED.



Copyright FCI.

spec ref	*	dr	date	revision	projection	MM	size	A2	scale	1:1
tolerance std	ASME Y14.5	TOLERANCES UNLESS OTHERWISE SPECIFIED		eng	chk	appv	product family	rel level	Released	rev
surface	linear	0.1	±.5	0.25	±.10	0.2	±.2	FCI	R/A HDR ASSY IP-4S-IP	10108304
ASME Y14.5	angular	0°	±.2°	www.fci.com	cat. no.	-	Product - Customer Draw	sheet 5 of 5		A

PDS: 6rev :A

STATUS: Released

Printed: 23, 2012