

## Excellent Integrated System Limited

Stocking Distributor

Click to view price, real time Inventory, Delivery & Lifecycle Information:

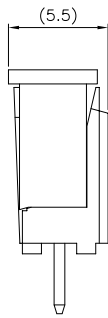
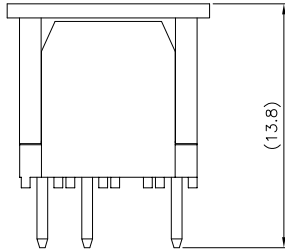
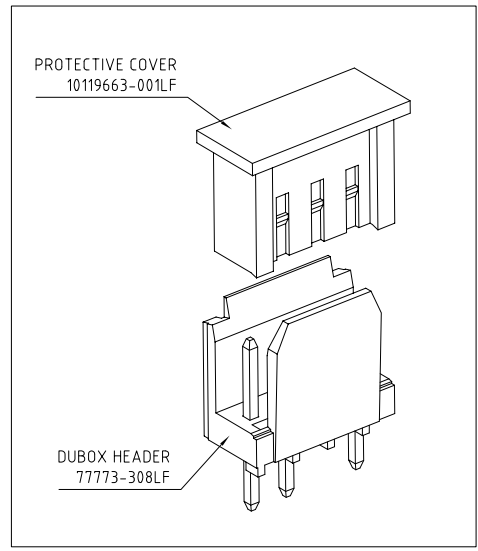
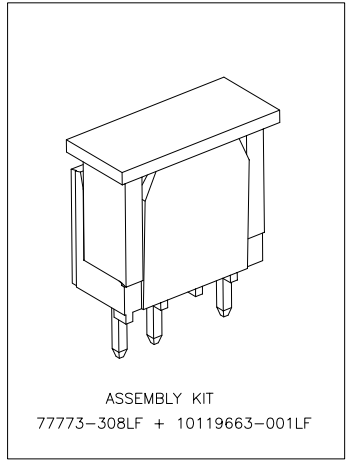
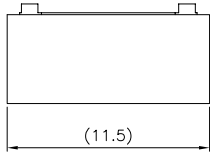
[FCI](#)

[10119778-001LF](#)

For any questions, you can email us directly:

[sales@integrated-circuit.com](mailto:sales@integrated-circuit.com)

PRODUCT NUMBER  
10119778-001LF



NOTES :

- 77773-308LF BODY MATERIAL : POLYESTER 30% GLASSFILLED  
COLR BLUE, FLAME RETARDANT PER UL-94 VO
- 77773-308LF CONTACT MATERIAL : PHOSPHORE BRONZE
- 10119663-001LF BODY MATERIAL : POLYESTER 30% GLASSFILLED  
COLR BLUE, FLAME RETARDANT PER UL-94 VO
- PACKAGING : 500 KITS PER POLYBAGS

mat'l. code		surface	tolerance	projection	product family
		ISO 1302	ISO 406 ISO 1101		DUBOX HEADER
lfr	ecn no	dr	date	title	
A	F12-0015	LMU	12.02.17	ASSEMBLY KIT	
		angles	linear	DBX HDR WITH COVER	
			.X ±0.3	dwg no	
			.XX ±0.13	sheet 1 of 1	
			.XXX ±0.05	size	
		dr	L.MULIN	10119778	
		engr	L.MULIN	A3	
		chr		Type	
		appd	L.MULIN	CUSTOMER Drawing	
sheet index	revision sheet				

FCI  
FCIconnect.com  
Copyright FCI