

Excellent Integrated System Limited

Stocking Distributor

Click to view price, real time Inventory, Delivery & Lifecycle Information:

[FCI](#)

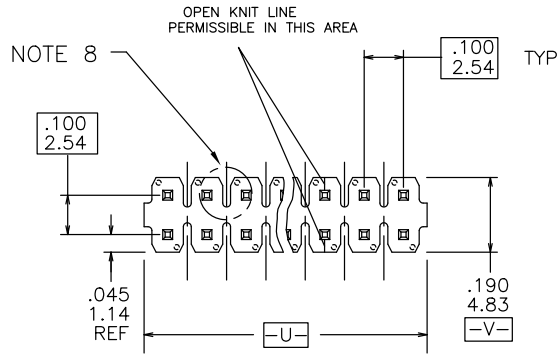
[10119856-400HLF](#)

For any questions, you can email us directly:

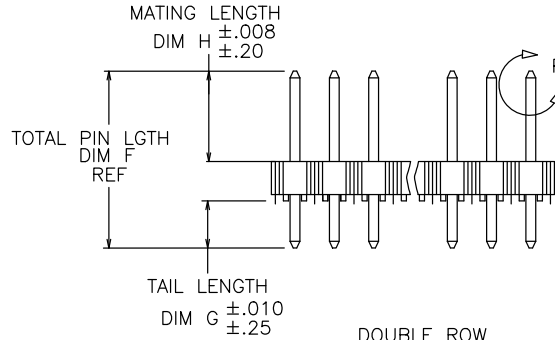
sales@integrated-circuit.com

PRODUCT NUMBER
10119856 -XYHHLF

- LEAD FREE OPTION SEE NOTE 12
- HIGH TEMPERATURE PLASTIC SEE NOTE 1
- NO. OF POSITIONS SEE NOTE 3
- PIN PLATING SEE SHEET 2
- BASE PART NO.

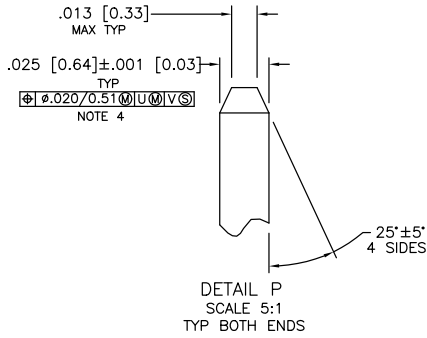


DOUBLE ROW TOP VIEW



DOUBLE ROW SIDE VIEW

DOUBLE ROW END VIEW



DETAIL P
SCALE 5:1
TYP BOTH ENDS

mat'l. code SEE NOTE 1 & 2	surface ISO 1302 ✓	tolerance ISO 406 ISO 1107	projection 1st angle	product family BERGSTIK
tr/ecn no/dr date A - J.Z 2012-02-28	tolerances unless otherwise specified	angles 0°±2'	linea XXX.XXX/XXX.XXX	title BERGSTIP™ HEADER. D/R .100/2.54cc STRAIGHT
			scale 1:1	dwg no 10119856
	dr J.ZHOU 2012-02-28		FCJ	sheet of 2 size A3
	enr J.ZHOU 2012-02-28			type Product Customer Drawing
	chr J.ZHOU 2012-02-28			
sheet index	revision 2 2	app R.BIAN 2012-02-28		

4 PDS: Rev :A

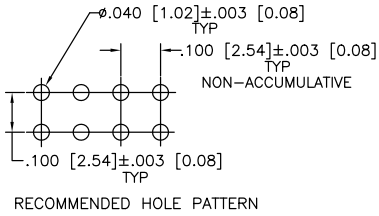
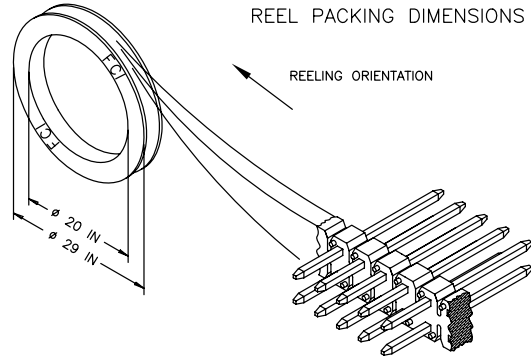
STATUS: Released

Printed: Mar 06, 2012

PRODUCT NUMBER	TOT. PIN LGTH.		TAIL LENGTH		MATING LENGTH		PACKAGING
	DIM F	DIM F	DIM G	DIM G	DIM H	DIM H	
	ENGLISH	METRIC	ENGLISH	METRIC	ENGLISH	METRIC	
10119856-400HLF	0.575	14.6	0.098	2.50	0.376	9.56	REEL

NOTES

- ① BODY MATERIAL : MANUFACTURER'S OPTION OF LCP
FLAME RETARDANT PER UL-94V-0.
COLOR: BLACK
- ② PIN MATERIAL : BRASS.
- ③ EVEN NUMBER OF POSITIONS FROM 2 (2X1) THROUGH 72 (2X36)
FOR BERGSTIK. -X00H INDICATES BERGSTRIIP PRODUCT.
FOR SPECIAL GEOMETRY OF THIS CONTINUOUS STRIP PRODUCT.
AUTOMATED REELS WILL CONTAIN 20,000 PINS.
SEE SPECIFIC PART NUMBERS FOR AVAILABILITY.
- ④ MEASURED WITH PART IN RESTRAINED CONDITION.
- 5. TWO SIDES OF PIN TIPS NOT PLATED. TYPICAL BOTH ENDS.
- ⑥ 2LBS/0.9KG MIN PIN RETENTION IN EITHER DIRECTION.
- ⑦ ±.010/0.25 TOL APPLIES TO ALL "G" TAILS EXCEPT
INDICATED PARTS ON TABLE WHERE +.010/0.25 -.000/0.00
APPLIES.
- ⑧ NOTCH CONFIGURATION WILL VARY PER VENDOR'S DISCRETION.
- ⑨ TAIL LENGTH (DIM. G) TO BE ±.008/.020.
- 10. POSITIONS PER ROW 37 TO 50 CAN BE PRODUCED,
BUT FLATNESS AND CURVATURE MAY NOT BE
HELD AS CLOSE AS 36 POSITIONS.
- ⑩ TOTAL LENGHT= .100 [2.54] X NO DE COLUMNS
- 12. ADD "LF" SUFFIX AT THE END OF PART NUMBER FOR LEAD FREE OPTION.



PIN PLATING CODES:	WIRE CODES:
10119856-4YYHLF	100u"/2.54u MIN TIN OVER 50u"/1.27u MIN Ni

mat'l. code	surface	tolerance	projection	product family
SEE NOTE 1 & 2	ISO 1302 ✓	ISO 406	ASME Y14.5	BERGSTIK
tr/ecn nchr date	tolerances unless otherwise specified	line	INCH/MM	title
A	0 ±.2"	0.01/0.03	scale 1:1	BERGSTRIIP™ HEADER. D/R
		0.001/0.005/0.001/0.005		.100/2.54cc STRAIGHT
	dr	J.ZHOU	2012-02-28	dwg no
	enqr	J.ZHOU	2012-02-28	10119856
	chr	J.ZHOU	2012-02-28	sheet 2 of 2 size
	app	R.BIAN	2012-02-28	A3
sheet index	revision sheet			type Product Customer Drawing