

Excellent Integrated System Limited

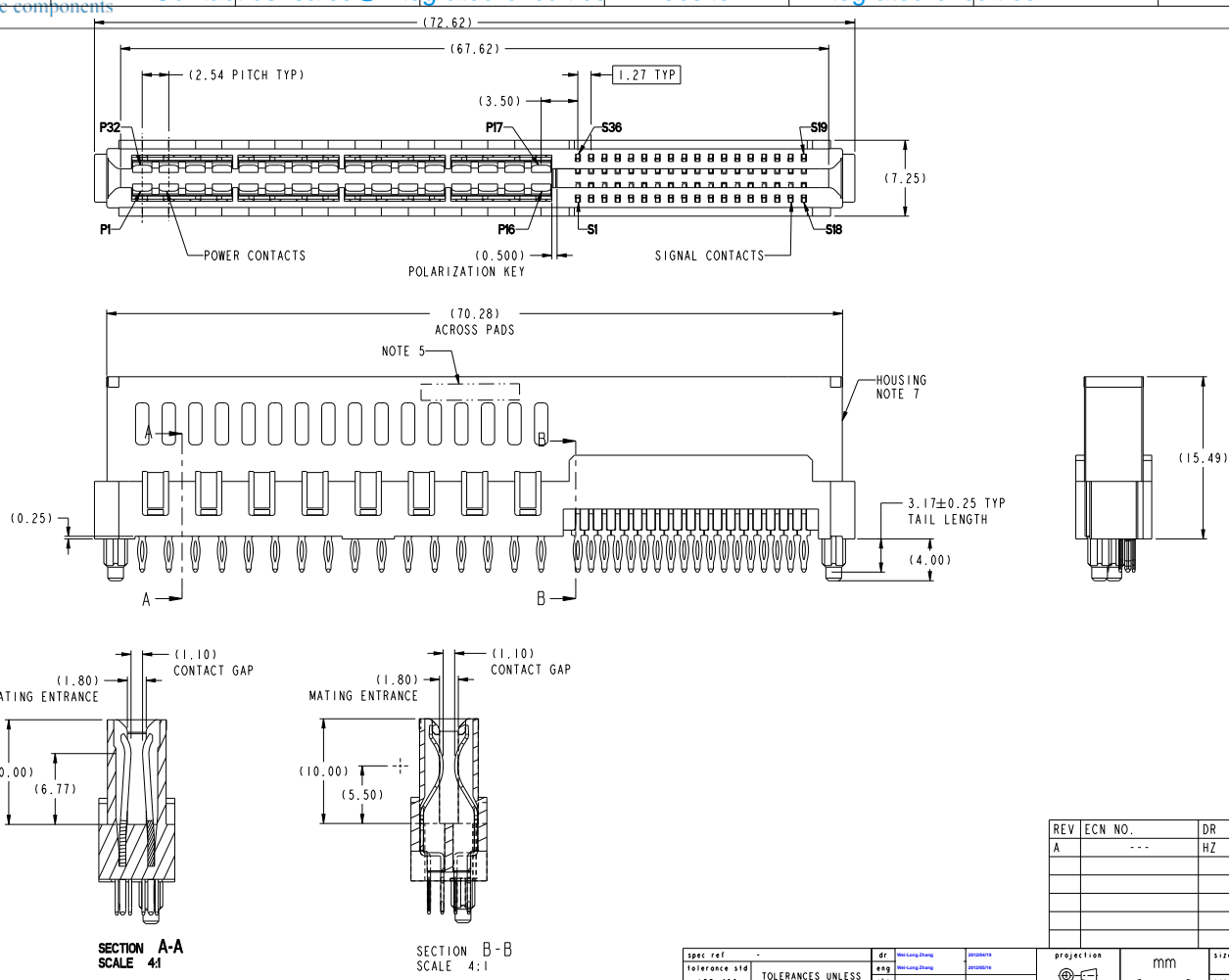
Stocking Distributor

Click to view price, real time Inventory, Delivery & Lifecycle Information:

[FCI](#)
[10120820-003LF](#)

For any questions, you can email us directly:
sales@integrated-circuit.com

A
B
C
D
E
F



REV	ECN NO.	DR	DATE
A	---	HZ	2012-05-16

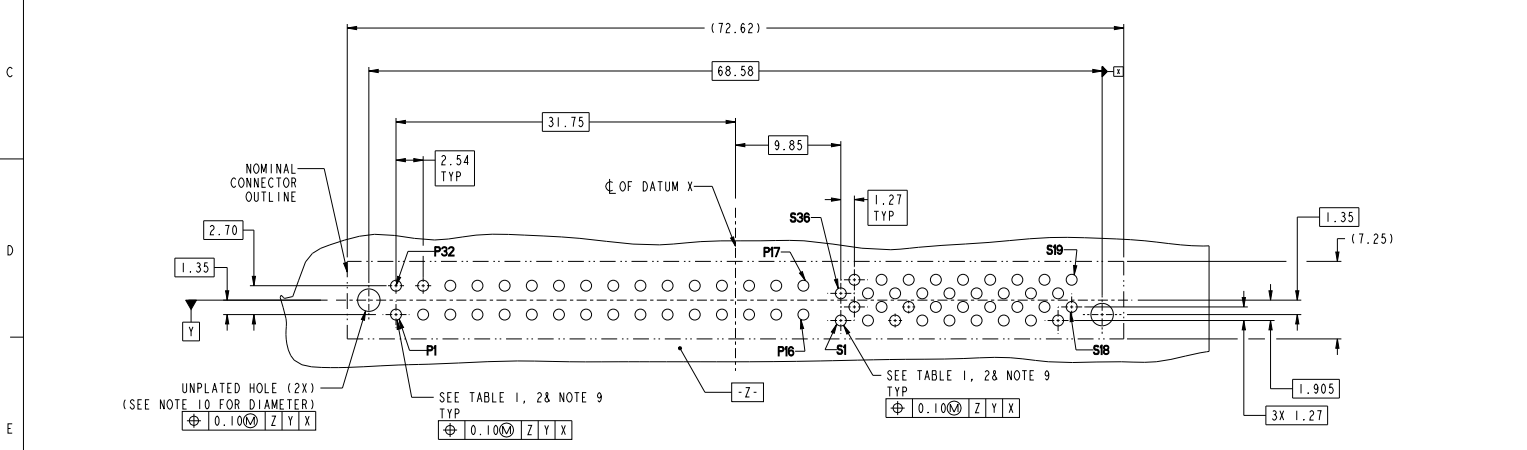
spec. ref.	-	dr.	WeiLiang Zhang	approval	projection	mm	size	A2	scale	1:1
tolerance	ISO 406	eng	WeiLiang Zhang	signature	product family	rel. level	acc. no.	10120820	rev	A
ISO 1101	TOLERANCES UNLESS OTHERWISE SPECIFIED		chr							
surface	linear	0.1	±0.3	FCI	VERT RECT 32P + 36S		deg			
ISO 1302	angular	0.2X	±0.10	www.fci.com	HIGH POWER CARD EDGE					
		0.2X	±0.05							
		±2°								

PDS: Rev: A STATUS: Released Printed: May 16, 2012

Copyright FCI.

CONTACT TYPE	TOP LAYER DESCRIPTION	TABLE 1 (HPCE / SOLDER TAILS) PLATED THROUGH-HOLE REQUIREMENTS				
		DRILLED HOLE DIAMETER	COPPER THICKNESS	TIN-LEAD THICKNESS	TIN THICKNESS	FINISHED HOLE DIAMETER
POWER & SIGNAL	TIN-LEAD	1.10-1.16 (1.15 DRILL)	0.025 - 0.050	0.005 - 0.015	--	0.94 - 1.10
	IMMERSION TIN	1.10-1.16 (1.15 DRILL)	0.025 - 0.050	--	0.9 - 1.5um	0.94 - 1.10
	COPPER (SEE NOTE 8)	1.10-1.16 (1.15 DRILL)	0.025 - 0.050	--	--	0.94 - 1.10

CONTACT TYPE	TOP LAYER DESCRIPTION	TABLE 2 (HPCE / PRESS-FIT TAILS) PLATED THROUGH-HOLE REQUIREMENTS				
		DRILLED HOLE DIAMETER	COPPER THICKNESS	TIN-LEAD THICKNESS	TIN THICKNESS	FINISHED HOLE DIAMETER
POWER & SIGNAL	TIN-LEAD	0.81-0.86 (0.85 DRILL)	0.025 - 0.050	0.005 - 0.015	--	0.65 - 0.80
	IMMERSION TIN	0.81-0.86 (0.85 DRILL)	0.025 - 0.050	--	0.9 - 1.5um	0.70 - 0.80
	COPPER (SEE NOTE 8)	0.81-0.86 (0.85 DRILL)	0.025 - 0.050	--	--	0.70 - 0.80



UNPLATED HOLE (2X)
(SEE NOTE 10 FOR DIAMETER)
Ø 0.100 Z Y X

SEE TABLE 1, 2& NOTE 9
TYP
Ø 0.100 Z Y X

SEE TABLE 1, 2& NOTE 9
TYP
Ø 0.100 Z Y X

3X 1.27

1.905

1.35 (7.25)

1.27 TYP

9.85

2.54 TYP

68.58

72.62

Ø OF DATUM X

P32, P17, P16, S16, S19, S1

ISO 406 1101 TOLERANCES UNLESS OTHERWISE SPECIFIED

linear	0.X	±0.3
	0.XX	±0.10
	0.XXX	±0.05
angular	°	±2

spec. ref. -
tolerance 214
ISO 406
ISO 1101

dr. Wei-Liang Zhang
eng. Wei-Liang Zhang
chr. Wei-Liang Zhang
appr. Wei-Liang Zhang

projection mm
size A2
scale 1:1

product family
rel. level Released

surface ✓
ISO 1302

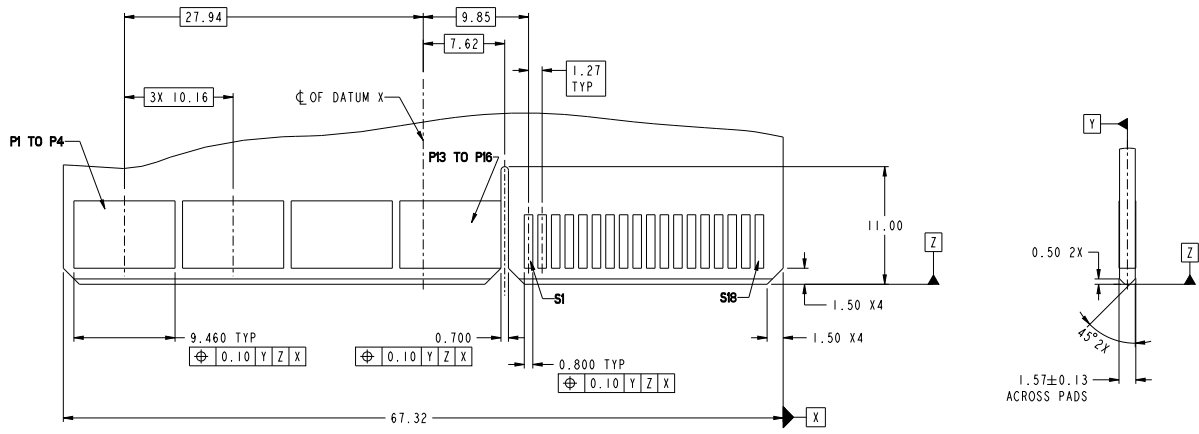
FCI VERT RECT 32P + 36S
HIGH POWER CARD EDGE

10120820

Product - Customer Draw
sheet 2 of 4

PDS: Rev: A
STATUS: Released
Printed: May 16, 2012

Copyright FCI



Copyright FCI

spec. ref.	-	dr.	WeiLiang Zhang	approval		projection	mm	size	A2	scale	1:1
tolerance	ISO 406 ISO 1101	eng	WeiLiang Zhang	signature		①		acc. no.		rel. level	Released
TOLERANCES UNLESS OTHERWISE SPECIFIED		chr	WeiLiang Zhang	signature		product family		rel. level			
surface	ISO 1302	appr	WeiLiang Zhang	signature		VERT RECT 32P + 36S HIGH POWER CARD EDGE		part no.	10120820	rev	A
linear	0.X ±0.3 0.XX ±0.10 0.XXX ±0.05	www.fci.com	cat. no.			Product - Customer Draw		sheet	3 of 4		
angular	° ±2										

PDS: 6 rev :A

STATUS: Released

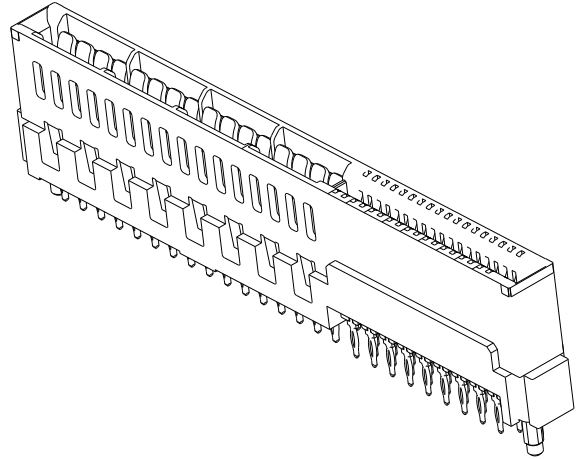
Printed: May 16, 2012

HPCE PART NUMBER (TABLE 3)

PART NUMBER	TAIL TYPE	ORIENTATION KEY	DIM "A" TYPICAL TAIL LENGTH	DIM "B" RECOMMENDED BOARD THICKNESS
10120820-001LF	SOLDER	YES	3.17 ±0.25	1.59 - 2.38
10120820-002LF	SOLDER	NO		
10120820-003LF	PRESS-FIT	YES	3.17 ±0.25	1.57 MIN
10120820-004LF	PRESS-FIT	NO		

NOTES:

1. CONNECTOR MATERIALS:
 HOUSING: HIGH TEMPERATURE THERMAL PLASTIC, BLACK
 UL 94V-0 COMPLIANT
 CONTACTS: HIGH PERFORMANCE COPPER ALLOY.
2. CONTACT FINISH REF. GS-12-604 SECTION 5.2.
3. PRODUCT SPECIFICATION: GS-12-604.
4. APPLICATION SPECIFICATION: GS-20-128.
5. PRODUCT MARKING (FCI - PART NUMBER & DATE CODE) ON HOUSING IN AREA SHOWN.
6. PACKAGING MEETS FCI SPECIFICATION GS-14-937.
7. HOUSING COMPONENT WILL WITHSTAND EXPOSURE TO 260°C PEAK TEMPERATURE FOR 60 SECONDS IN A CONVECTION, INFRA-RED, OR VAPOR PHASE REFLOW OVEN.
8. COPPER PLATING THICKNESS IN CENTER OF VIA-HOLE CAN BE NO MORE THAN 0.003 LESS THAN OTHER AREAS.
9. ALL HOLE SIZES ARE FINISHED HOLE SIZES.
10. MOUNTING HOLES ARE UNPLATED
 Ø 2.40 +/- 0.1 FOR PRESS-FIT TAILS
 Ø 2.10 +/- 0.1 FOR SOLDER TAILS
11. PRESS FIT APPLICATION TOOL DRAWING : 10119453.



Copyright FCI

spec. ref.	-	dr.	WeiLiang Zhang	approved	projection	mm	size	A2	scale	1:1
tolerance std	ISO 406 ISO 1101	eng	WeiLiang Zhang	checked		←	acc. no.		rel. level	Released
TOLERANCES UNLESS OTHERWISE SPECIFIED		chr		appr			WeiLiang Zhang	approved	product family	
surface	linear	0.1	±0.3		VERT RECT 32P + 36S		10120820	A	rev	
	linear	0.2X	±0.10		HIGH POWER CARD EDGE					
	angular	0.2X	±0.05							
ISO 1302	angular	0°	±2°	www.fci.com	cat. no.	Product - Customer Draw	sheet 4 of 4			

PDS: Rev :A

STATUS: Released

Printed: May 16, 2012

Product - Rev: 200909

2

3

4

5