

## Excellent Integrated System Limited

Stocking Distributor

Click to view price, real time Inventory, Delivery & Lifecycle Information:

[FCI](#)  
[20020163-H031B01LF](#)

For any questions, you can email us directly:  
[sales@integrated-circuit.com](mailto:sales@integrated-circuit.com)

This document is the property of and embodies CONFIDENTIAL and PROPRIETARY information of FCI. No part of the information shown on this document may be used in any way or disclosed to others without the written consent of FCI.  
Copyright FCI.



FCIconnect.com

**FCI CONFIDENTIAL**

1 | 2

3 |

4

PRODUCT NUMBER  
20020163-XXXXXXXXLF

20020163-

PITCH  
H: 5.08 mm

POLES

2: 2 POLES  
3: 3 POLES  
:  
24: 24 POLES

SCREW CODE

CODE	SCREW TYPE	AVAILABILITY
A	-/+	ON REQUEST ONLY
B	-	STANDARD

LF: DENOTED ROHS COMPATIBLE

1 : STANDARD PRODUCT  
W/ BOX PACKING

PROPERTY TABLE	
PITCH (mm)	5.08
VOLTAGE RATING (VAC)	300
CURRENT RATING (A)	20
WITHSTANDING VOLTAGE (kV)	1.6
OPERATING TEMP. (°C)	-40~+115
SOLDERING TEMP. (°C)	250±10 (5sec)
POLES AVAILABLE	02~24
SAFETY CERTIFICATE	

HOUSING CODE

CODE	COLOR	AVAILABILITY
1	GREEN(RAL 6018/T)	STANDARD
2	BLACK(RAL 9005)	ON REQUEST ONLY
3	GREY(RAL 7035/D)	ON REQUEST ONLY
4	BLUE(RAL 5015/A)	ON REQUEST ONLY

NOTES:

1. MATERIAL:  
1-1 HOUSING: THERMOPLASTIC RESIN, UL94V-0 RATED.  
1-2 TERMINAL: PbZz(CuSn) TIN PLATED.  
1-3 COVER: THERMOPLASTIC RESIN, UL94V-0 RATED.:
2. PRODUCT SPECIFICATION REFER TO FCI GS-12-625.
3. PRODUCT PACKING SPECIFICATION REFER TO FCI GS-14-1394.
4. THE PRODUCTS WHERE THE PART NUMBER END IN "LF" MEET THE EUROPEAN UNION DIRECTIVE AND OTHER COUNTRY REGULATIONS AS DESCRIBED IN GS-22-008.

mat'l. code				surface	tolerance	projection	product family
ltr	ecn	no	dr	ASME Y14.5	ASME Y14.5		TERMINAL BLOCK
A		LS	082412	tolerances unless otherwise specified	X.±0.5	MM	title
				angles	X.X±0.3		TERMINAL BLOCK
				X'±1'	X.XX±0.1	scale	PLUGGABLE PLUG, SIGNAL, RIGHT ANGLE
				dr	LEIF SHEN 051612		dwg no
				engr	LEIF SHEN 051612		20020163
				chr	LEIF SHEN 051612		sheet 1 of 2
				appd	JOSEPH HSIA 051612		size
							A4
sheet index	revision sheet	A	A				type
		1	2				CUSTOMER Drawing

form: A4mmXLc

1 |

2 |

3 |

4

This document is the property of and embodies CONFIDENTIAL and PROPRIETARY information of FCI. No part of the information shown on this document may be used in any way or disclosed to others without the written consent of FCI.  
Copyright FCI.



FCIconnect.com

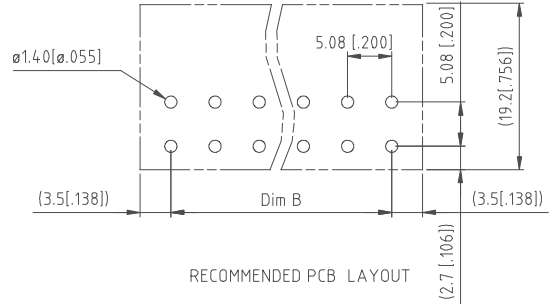
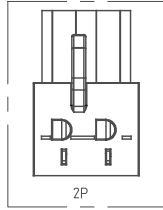
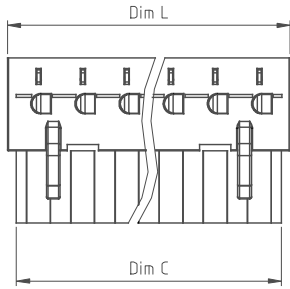
**FCI CONFIDENTIAL**

1 | 2

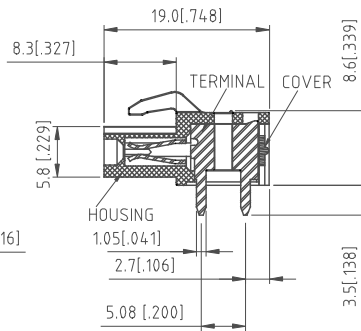
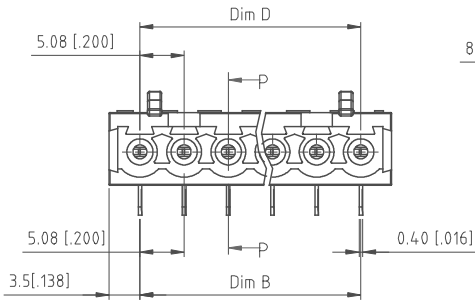
3 |

4

PRODUCT NUMBER	PITCH
20020163-HXXXXXXLF	5.08 mm



RECOMMENDED PCB LAYOUT



SECTION P-P

N=Number of poles

DIM L	$(N-1) \times 5.08 [.200] + 7.08 [.279]$
DIM B	$(N-1) \times 5.08 [.200]$
DIM C	$N \times 5.08 [.200]$
DIM D	$(N-1) \times 5.08 [.200]$

Poles	DIM L/B/D	DIM C
2P-6P	$\pm 0.15 [.006]$	-0 $+0.20 [.008]$
7P-12P	$\pm 0.25 [.010]$	
13P-18P	$\pm 0.30 [.012]$	
19P-24P	$\pm 0.40 [.016]$	-0 $+0.40 [.016]$

mat'l. code	surface ASME Y14.5	tolerance ASME Y14.5	projection	product family TERMINAL BLOCK
itr	ecn no	dr	date	title
A				TERMINAL BLOCK
				PLUGGABLE PLUG, SIGNAL, RIGHT ANGLE
				dwg no 20020163
				sheet 2 of A4
				type CUSTOMER Drawing
sheet index	revision sheet			

form: A4mmXLc

1 |

2 |

3 |

4