

Excellent Integrated System Limited

Stocking Distributor

Click to view price, real time Inventory, Delivery & Lifecycle Information:

[FCI](#)
[20020315-G021B01LF](#)

For any questions, you can email us directly:
sales@integrated-circuit.com



1 | 2

FCIconnect.com

3 |

4

PRODUCT NUMBER
20020315-XXXXXXLF

20020315- [] [] [] [] [] 0 [] [] L F

PITCH

G: 5.00 mm
H: 5.08 mm

POLES

02: 2 POLES
03: 3 POLES

LF : DENOTED RoHS COMPATIBLE

1 : STANDARD PRODUCT
W/ BOX PACKING

SCREW CODE

CODE	SCREW TYPE	AVAILABILITY
A	-/+	ON REQUEST ONLY
B	-	STANDARD

HOUSING CODE

CODE	COLOR	AVAILABILITY
1	GREEN(RAL 6018/T)	STANDARD
2	BLACK	ON REQUEST ONLY
3	GREY(RAL 7004/P)	ON REQUEST ONLY
4	BLUE(RAL 5015/A)	ON REQUEST ONLY

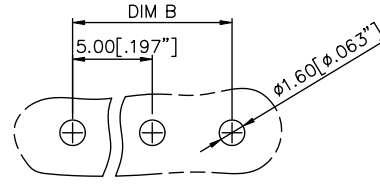
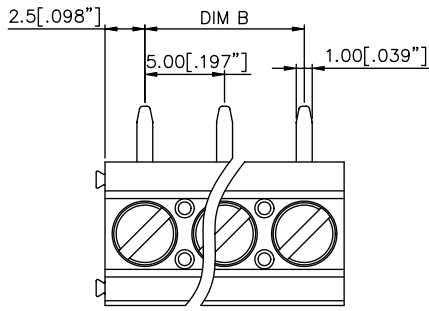
NOTES:

- MATERIALS
 - 1-1 HOUSING: THERMALPLASTIC RESIN, UL 94V-0 RATED,
 - 1-2 SCREW: STEEL, ZINC PLATED.
 - 1-3 CLAMP: COPPER ALLOY, NICKEL PLATED.
 - 1-4 TERMINAL: COPPER ALLOY, TIN PLATED.
- PRODUCT SPECIFICATION REFER TO FCI GS-12-625.
- PRODUCT PACKING SPECIFICATION REFER TO FCI GS-14-1394.
- FCI, SAFETY CERTIFICATE LOGO AND SERIES NAME TO BE SHOWN ON PRODUCT SURFACE.
- THE PRODUCTS WHERE THE PART NUMBER END IN "LF" MEET THE EUROPEAN UNION DIRECTIVE AND OTHER COUNTRY REGULATIONS AS DESCRIBED IN GS-22-008.
- RECOMENDED SOLDERING PROCESS BY WAVE SOLDER.

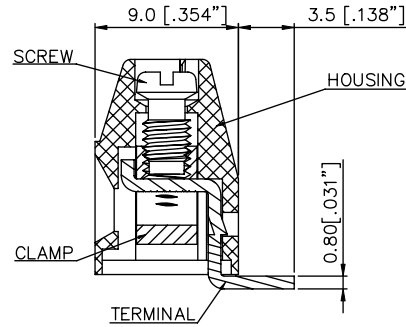
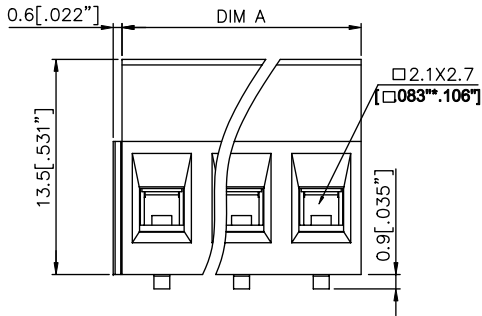
PROPERTY TABLE				
FCI SERIES NAME	21-500	21-508		
PITCH (mm)	5.00	5.08		
VOLTAGE RATING (VAC)	300	300		
CURRENT RATING (A)	16	16		
APPLICABLE WIRE RANGE (AWG)	1-WIRE	12~28	12~28	
	2-WIRE	18	18	
WIRE CROSS SECTION (mm ²)	SOLID	1-WIRE	2.5	2.5
		2-WIRE	1.0	1.0
	STRANDED	1-WIRE	1.5	1.5
		2-WIRE	0.75	0.75
OPENING CONTACT HOUSING(mm ²)	2.1x2.7	2.1x2.7		
WIRE STRIP LENGTH(mm)	6~7	6~7		
TORQUE +/-10% (N-m/Lb-in)	0.4/3.5	0.4/3.5		
SCREW	M3x0.5	M3x0.5		
WITHSTANDING VOLTAGE (kV)	1.6	1.6		
OPERATING TEMP. (°C)	-40~+115	-40~+115		
SOLDERING TEMP. (°C)	250±10 (5 sec.)	250±10 (5 sec.)		
POLES AVAILABLE	02~03	02~03		
SAFETY CERTIFICATE				

mat'l. code	surface ASME Y14.5	tolerance ASME Y14.5	projection	product family
ltr	ecn no	dr	date	TERMINAL BLOCK
A	T10-0138	WL	083110	
B	T10-0165	WL	101210	
C	T11-0014	WL	022411	
tolerances unless otherwise specified angles 15° E X±0.5 X.X±0.3 X'±1" X.XX±0.1				title TERMINAL BLOCK FIXED SIGNAL PLUG, VERTICAL WIRE INLET scale MM [INCH] sheet 1 of 3 size 20020315 A4 type CUSTOMER Drawing
dr WENDY CHEN 081710 engr JASON HSU 081710 chr GARY HSIEH 081710 appd JOSEPH HSIA 081710				 sheet index revision sheet C 1 2 3

PRODUCT NUMBER	SERIES NAME	PITCH
20020315-GXXXXXLF	21-500	5.00 mm



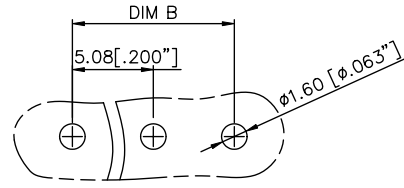
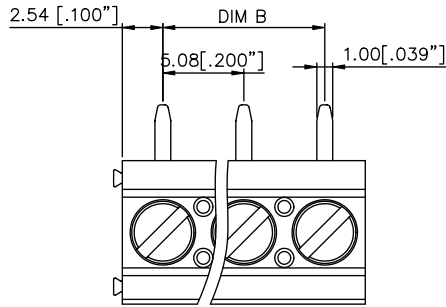
P.C.B LAYOUT



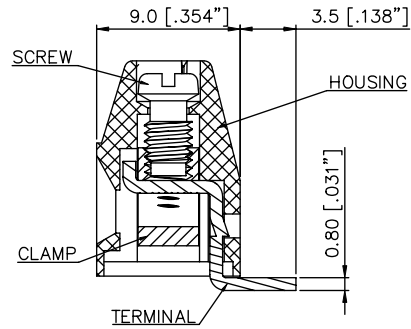
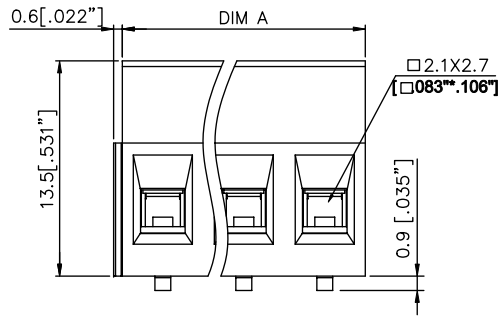
POLE	2	3
Dim A	10.0 [.394"]	15.0 [.590"]
Dim B	5.0 [.196"]	10.0 [.394"]
Tol.	±0.15 [.006"]	

mat'l. code	surface ASME Y14.5	tolerance ASME Y14.5	projection	product family
ltr ecn no dr date	tolerances unless otherwise specified		MM [INCH]	TERMINAL BLOCK
	angles	X.±0.5	scale	title
	X'±1"	X.XX±0.3		TERMINAL BLOCK
	dr WENDY CHEN 081710	X.XX±0.1		FIXED SIGNAL PLUG, VERTICAL WIRE INLET
	enrg JASON HSU 081710			dwg no 20020315 sheet 2 of 3 size A4
	chr GARY HSIEH 081710			type CUSTOMER Drawing
	appd JOSEPH HSIA 081710			
sheet index	revision sheet			

PRODUCT NUMBER	SERIES NAME	PITCH
20020315-HXXXXXLF	21-508	5.08 mm



P.C.B LAYOUT



POLE	2	3
Dim A	10.16 [.400"]	15.24 [.600"]
Dim B	5.08 [.200"]	10.16 [.400"]
Tol.	±0.15 [.006"]	

mat'l. code	surface ASME Y14.5	tolerance ASME Y14.5	projection	product family
tr	ec	no	dr	date
tolerances unless otherwise specified				title
angles	X.±0.5	MM	TERMINAL BLOCK	
X'±1"	X.XX±0.3	INCH	FIXED SIGNAL PLUG, VERTICAL WIRE INLET	
dr	WENDY CHEN	081710	scale	dwg no
enr	JASON HSU	081710		sheet 3 of 3
chr	GARY HSIEH	081710		size
appd	JOSEPH HSIA	081710		A4
sheet	revision			type
index	sheet			CUSTOMER Drawing