

Excellent Integrated System Limited

Stocking Distributor

Click to view price, real time Inventory, Delivery & Lifecycle Information:

[FCI](#)
[20020334-B031B01LF](#)

For any questions, you can email us directly:
sales@integrated-circuit.com



FCIconnect.com

1 | 2

3 |

4

PRODUCT NUMBER
20020334-XXXXXXXXLF

20020334-

PITCH
B: 2.54 mm

POLES

2: 2 POLES
3: 3 POLES
:
24: 24 POLES

SCREW CODE

CODE	SCREW TYPE	AVAILABILITY
A	-/+	ON REQUEST ONLY
B	-	STANDARD

LF: DENOTED ROHS COMPATIBLE

1 : STANDARD PRODUCT
W/ BOX PACKING

PROPERTY TABLE	
PITCH (mm)	2.54
VOLTAGE RATING (VAC)	150
CURRENT RATING (A)	6
APPLICABLE WIRE RANGE (AWG)	SOLID 18~30 STRANDED 18~30
WIRE CROSS SECTION (mm ²)	0.34~2.5
WIRE STRIP LENGTH(mm)	4~5
TORQUE +/- 10% (N-m/Lb-in)	0.15/1.3
SCREW	M1.6
WITHSTANDING VOLTAGE (kV)	1.3
OPERATING TEMP. (°C)	-40~+115
SOLDERING TEMP. (°C)	250±10 / 5 sec
POLES AVAILABLE	02-24
SAFETY CERTIFICATE	

HOUSING CODE

CODE	COLOR	AVAILABILITY
1	GREEN(RAL 6018/T)	STANDARD
2	BLACK(RAL9005)	ON REQUEST ONLY
3	GREY(RAL7035/D)	ON REQUEST ONLY
4	BLUE(RAL 5015/A)	ON REQUEST ONLY

NOTES:

- MATERIAL:
1-1 TOP HOUSING: THERMOPLASTIC UL94V-0 RATED.
1-2 SREW: STEEL ZINC PLATED
1-3 CLAMP: COPPER ALLOY, NICKEL PLATED
1-4 TERMINAL: COPPER ALLOY, TIN PLATED.:
- PRODUCT SPECIFICATION REFER TO FCI GS-12-625.
- PRODUCT PACKING SPECIFICATION REFER TO FCI GS-14-1394.
- THE PRODUCTS WHERE THE PART NUMBER END IN "LF"
MEET THE EUROPEAN UNION DIRECTIVE AND OTHER
COUNTRY REGULATIONS AS DESCRIBED IN GS-22-008.
- RECOMMENDED SOLDERIN PROCESS BY WAVE SOLDER.

mat'l. code				surface	tolerance	projection	product family
				ASME Y14.5	ASME Y14.5		TERMINAL BLOCK
ltr	ecn no	dr	date	tolerances unless otherwise specified			title
A	T10-0176	WL	110110	angle	X.±0.5		TERMINAL BLOCK
B	T-012057	LS	082912	scale	X.X±0.3	MM	FIXED RISING CLAMP, SIGNAL
C	T-012709	LS	083012	X'±1'	X.XX±0.1	scale	dwg no
D	T-012725	LS	083112	dr	WENDY CHEN	102210	sheet 1 of 2
				enr	JASON HSU	102210	size
				chr	JASON HSU	102210	A4
				appd	JASON HSU	102210	type
sheet index	revision sheet	D	D				
		1	2				

form: A4mmXLc

1 |

2 |

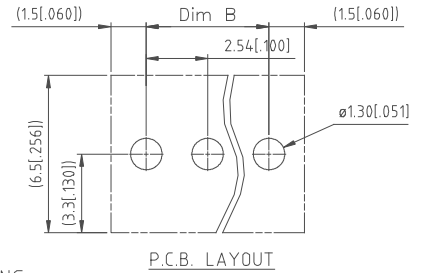
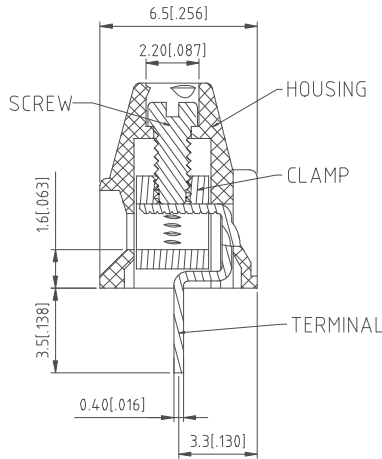
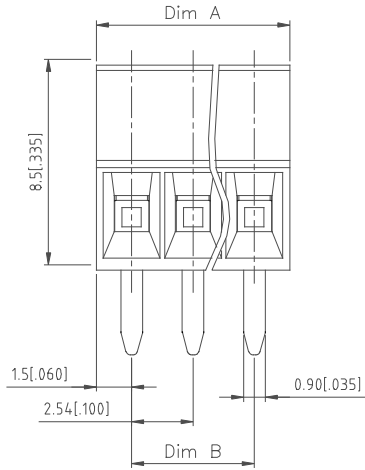
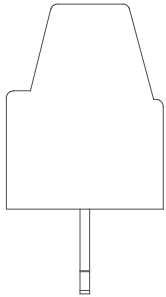
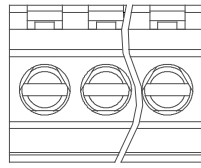
3 |

4



FCIconnect.com

PRODUCT NUMBER	PITCH
20020334-BXXXXXXLF	2.54 mm



N = Number of poles
 $Dim A = N \times 2.54[.100] + 0.4[.016]$
 $Dim B = (N-1) \times 2.54[.100]$

	Dim A	Dim B
2-6p	$\pm 0.15[.006]$	$\pm 0.10[.004]$
7-12p	$\pm 0.20[.008]$	$\pm 0.20[.008]$
13-18p	$\pm 0.30[.012]$	$\pm 0.25[.010]$
19-24p	$\pm 0.40[.016]$	$\pm 0.30[.012]$

mat'l. code	surface	tolerance	projection	product family		
	ASME Y14.5	ASME Y14.5		TERMINAL BLOCK		
itr	ecn	no	dr	date		
tolerances unless otherwise specified						
d	angle	mm				
	X.±0.5		MM			
	X.X±0.3					
	X'±1'		scale			
	X.XX±0.1					
dr	WENDY CHEN	102210		product title		
enr	JASON HSU	102210		TERMINAL BLOCK		
chr	JASON HSU	102210		FIXED RISING CLAMP, SIGNAL		
appd	JASON HSU	102210				
sheet index	revision sheet			dwg no	sheet 2 of	size
				20020334	A4	
				type	CUSTOMER Drawing	

form: A4mmXLc

PDS: Rev :D

STATUS:Released

Printed: Aug 31, 2012