

## Excellent Integrated System Limited

Stocking Distributor

Click to view price, real time Inventory, Delivery & Lifecycle Information:

[FCI](#)  
[20020367-C061B01LF](#)

For any questions, you can email us directly:  
[sales@integrated-circuit.com](mailto:sales@integrated-circuit.com)



FCIconnect.com

Copyright FCI.

1 | 2

3 |

4

PRODUCT NUMBER  
20020367-XXXXXXLF

20020367- [ ] [ ] [ ] [ ] [ ] [ ] [ ] L F

PITCH  
C: 3.50 mm

POLES  
06: 6 POLES

LF : DENOTED RoHS COMPATIBLE

1 : STANDARD PRODUCT  
W/ BOX PACKING

PRINTING CODE  
0 : +/-//C/NC/NO  
1 : NO/NC/C//-/+

SCREW CODE

CODE	SCREW TYPE	AVAILABILITY
A	-/+	ON REQUEST ONLY
B	-	STANDARD

PROPERTY TABLE		
FCI SERIES NAME 26-350		
PITCH (mm) 3.50		
VOLTAGE RATING (VAC) 300		
CURRENT RATING (A) 10		
APPLICABLE WIRE RANGE (AWG)	1-WIRE 16~24	
	2-WIRE 20	
WIRE CROSS SECTION (mm <sup>2</sup> )	SOLID	1-WIRE 1.5
		2-WIRE 0.5
	STRANDED	1-WIRE 1.0
		2-WIRE 0.2
OPENING CONTACT HOUSING(mm <sup>2</sup> ) 1.6x1.6		
WIRE STRIP LENGTH(mm) 5~6		
TORQUE +/-10% (N-m/Lb-in) 0.19/1.7		
SCREW M2x0.4		
WITHSTANDING VOLTAGE (kV) 1.6		
OPERATING TEMP. (°C) -40~+115		
SOLDERING TEMP. (°C) 250±10 (5 sec.)		
POLES AVAILABLE 06		
SAFETY CERTIFICATE		

HOUSING CODE

CODE	COLOR	AVAILABILITY
1	GREEN(RAL 6018/T)	STANDARD

NOTES:

MATERIALS

- 1-1 HOUSING: THERMALPLASTIC RESIN, UL 94V-0 RATED.
- 1-2 SCREW: STEEL, ZINC PLATED.
- 1-3 CLAMP: COPPER ALLOY, NICKEL PLATED.
- 1-4 TERMINAL: COPPER ALLOY, TIN PLATED.
2. PRODUCTION SPECIFICATION REFER TO FCI GS-12-625.
3. BOXED PACKAGING.
- DETAILED PRODUCT PACKING SPECIFICATION REFER TO FCI GS-14-1394.
4. FCI, SAFETY CERTIFICATE LOGO AND SERIES NAME TO BE SHOWN ON PRODUCT SURFACE.
5. THE PRODUCTS WHERE THE PART NUMBER END IN "LF" MEET THE EUROPEAN UNION DIRECTIVE AND OTHER COUNTRY REGULATIONS AS DESCRIBED IN GS-22-008.
6. RECOMMENDED SOLDERING PROCESS BY WAVE SOLDER.

mat'l. code				surface	tolerance	projection	product family
				ASME Y14.5	ASME Y14.5		TERMINAL BLOCK
ltr	ecn	no	dr	tolerances unless otherwise specified			title
A		LS	083012	angles	X.±0.5		TERMINAL BLOCK
				radius	X.X±0.3	MM	FIXED HORIZONTAL WIRE INLET
				X'±1'	X.XX±0.1	INCH	
				dr	LEIF SHEN 020712	scale	dwg no
				enrg	LEIF SHEN 020712		sheet 1 of 3
				chr	LEIF SHEN 020712		size
				appd	JOSEPH HSIA 020712		A4
							type
							CUSTOMER Drawing
sheet index	revision sheet	A	A	A			
		1	2	3			

form: A4mmXLc

1 |

2 |

3 |

4

PDS: Rev :A

STATUS:Released

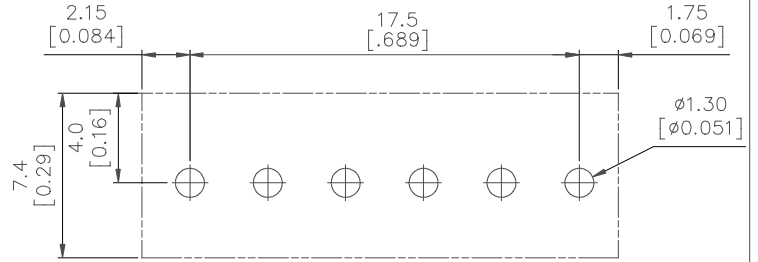
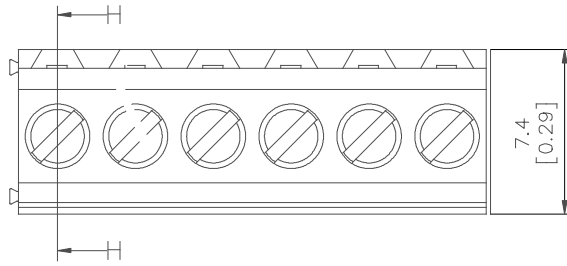
Printed: Aug 30, 2012

Copyright FCI.

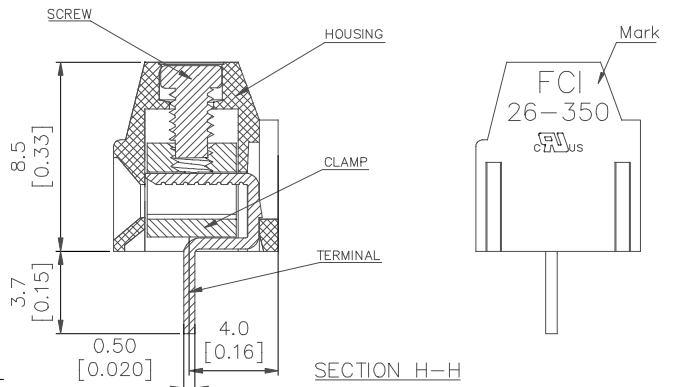
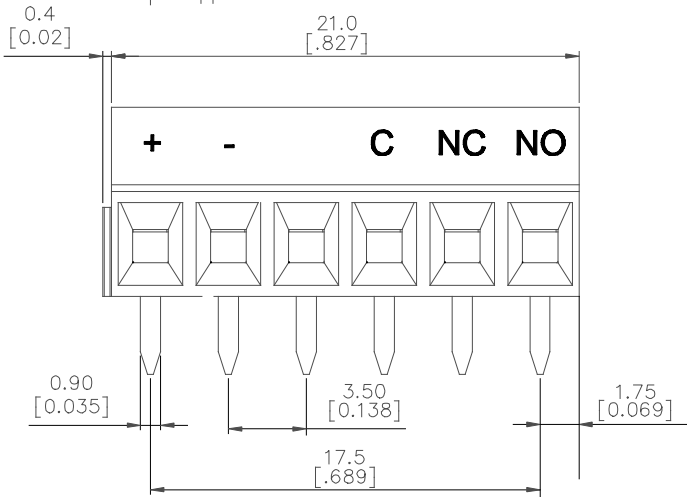


FCIconnect.com

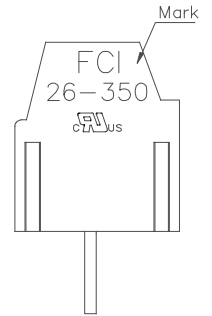
PRODUCT NUMBER	SERIES NAME	PITCH
20020367-C061B01LF	26-350	3.50 mm



P.C.B. LAYOUT



SECTION H-H



Poles	TOL.
6p	$\pm 0.15 [0.006]$

mat'l. code	surface ASME Y14.5	tolerance ASME Y14.5	projection	product family TERMINAL BLOCK	
ltr	ecn	no	dr	date	title
A					TERMINAL BLOCK FIXED HORIZONTAL WIRE INLET
tolerances unless otherwise specified angles $X \pm 0.5$ $X.X \pm 0.3$ $X' \pm 1'$ $X.XX \pm 0.1$				scale MM [INCH]	sheet 2 of size A4
dr	LEIF SHEN	020712			
enrg	LEIF SHEN	020712			
chr	LEIF SHEN	020712			
appd	JOSEPH HSIA	020712	type CUSTOMER Drawing		
sheet index	revision sheet				

form: A4mmXLc

PDS: Rev :A

STATUS:Released

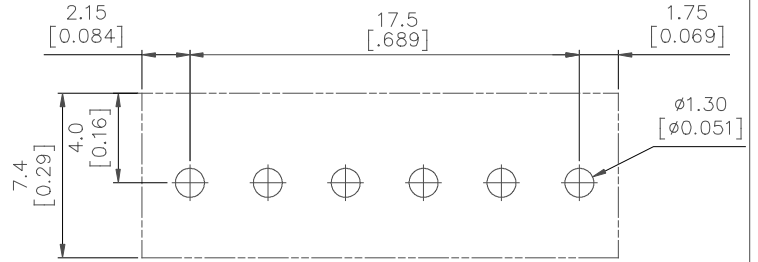
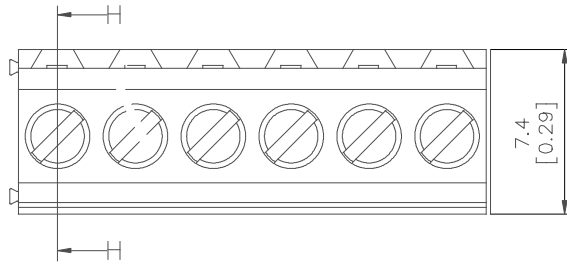
Printed: Aug 30, 2012

Copyright FCI.

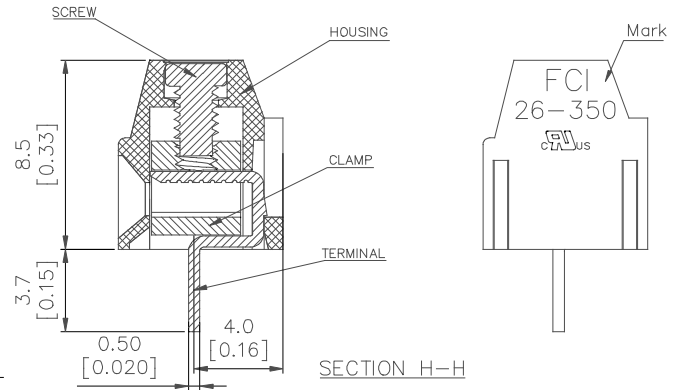
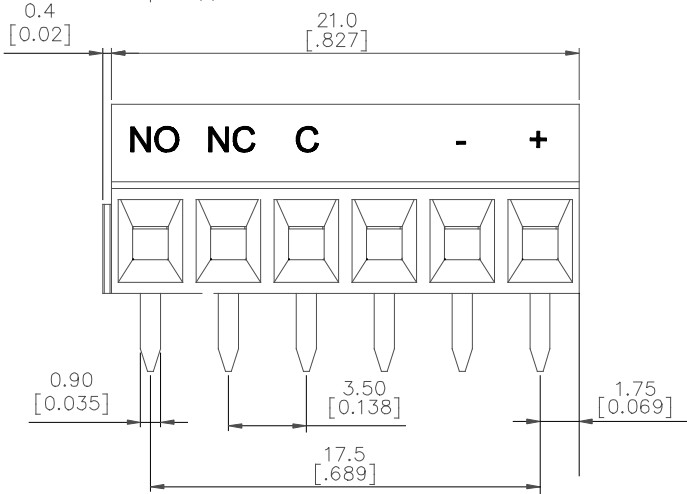


FCIconnect.com

PRODUCT NUMBER	SERIES NAME	PITCH
20020367-C061B11LF	26-350	3.50 mm



P.C.B. LAYOUT



SECTION H-H

Poles	TOL.
6p	±0.15[0.006]

mat'l. code		surface	tolerance	projection	product family
		ASME Y14.5	ASME Y14.5		TERMINAL BLOCK
ltr	ecn no	dr	date	tolerances unless otherwise specified	title
A				angles	TERMINAL BLOCK
				X±0.5	FIXED HORIZONTAL WIRE INLET
				X.X±0.3	
				X'±1'	
				scale	
		dr	LEIF SHEN 020712		dwg no
		enrg	LEIF SHEN 020712		sheet 3 of
		chr	LEIF SHEN 020712		size
		appd	JOSEPH HSIA 020712		A4
sheet index	revision sheet				type
					CUSTOMER Drawing

form: A4mmXLc

PDS: Rev :A

STATUS:Released

Printed: Aug 30, 2012