

Excellent Integrated System Limited

Stocking Distributor

Click to view price, real time Inventory, Delivery & Lifecycle Information:

[FCI](#)
[20020369-G031B01LF](#)

For any questions, you can email us directly:
sales@integrated-circuit.com

Copyright FCI.



FCIconnect.com

1 | 2

3 |

4

PRODUCT NUMBER
20020369-XXXXXXLF

20020369-□ □ □ □ □ 0 □ L F

PITCH
G: 5.00 mm

POLES
02: 2 POLES
03: 3 POLES
1
24: 24 POLES

LF: NOTED RoHS COMPATIBLE

1: STANDARD PRODUCT
W/ BOX PACKING

PROPERTY TABLE		
PITCH (mm)		5.00
VOLTAGE RATING (VAC)		300
CURRENT RATING (A)	cULus	20
APPLICABLE WIRE RANGE (AWG)	SOLID	12~24
	STRANDED	12~24
WIRE STRIP LENGTH(mm)		9~10
WITHSTANDING VOLTAGE (kV)	cULus	1.6
OPERATING TEMP. (°C)		-40~+115
SOLDERING TEMP. (°C)		250±10/5 Sec
POLES AVAILABLE		02~24
SAFETY CERTIFICATE		PENDING

HOUSING CODE

CODE	COLOR	AVAILABILITY
1	GREEN(RAL 6018/T)	STANDARD
2	BLACK(RAL 9005)	ON REQUEST ONLY
3	GREY(RAL 7035/D)	ON REQUEST ONLY
4	BLUE(RAL 5015/A)	ON REQUEST ONLY

SCREW CODE

CODE	SCREW TYPE	AVAILABILITY
A	-/+	ON REQUEST ONLY
B	-	STANDARD

NOTES:

- MATERIAL:
 - HOUSING: THERMOPLASTIC RESIN, UL94V-0 RATED.
 - CLAMP: STEEL
 - TERMINAL: BRASS, TIN PLATED.
 - COVER: THERMOPLASTIC RESIN, UL94V-0 RATED.
- PRODUCT SPECIFICATION REFER TO FCI GS-12-625.
- PRODUCT PACKING SPECIFICATION REFER TO FCI GS-14-1394.
- THE PRODUCTS WHERE THE PART NUMBER END IN "LF" MEET THE EUROPEAN UNION DIRECTIVE AND OTHER COUNTRY REGULATIONS AS DESCRIBED IN GS-22-008.

mat'l. code				surface	tolerance	projection	product family
ltr	ecn	no	dr	ASME Y14.5	ASME Y14.5		TERMINAL BLOCK
A		LS	082112	tolerance unless otherwise specified	X.±0.5		TERMINAL BLOCK
				angle	X.X±0.3	MM	FIXED, SIGNAL, HORIZONTAL WIRE INLET
				X'±1'	X.XX±0.1	[INCH]	
				dr	LEIF SHEN 081012	scale	sheet 1 of 2
				enrg	LEIF SHEN 081012		20020369
				chr	LEIF SHEN 081012		A4
				appd	JOSEPH HSIA 081012		CUSTOMER Drawing
sheet index	revision sheet	A	A				
	1	2					

form: A4mmXLc

1 |

2 |

3 |

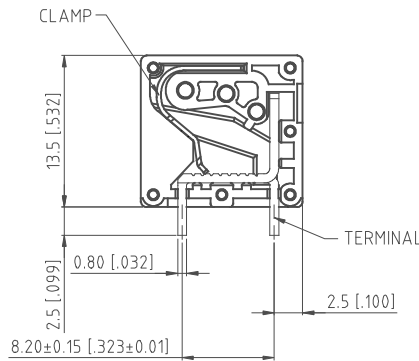
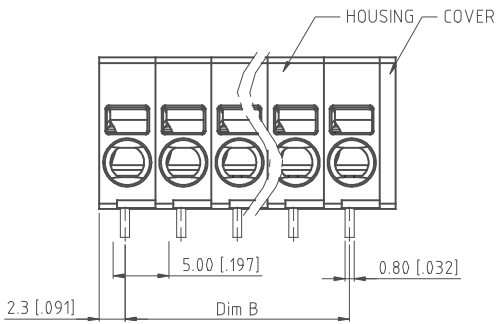
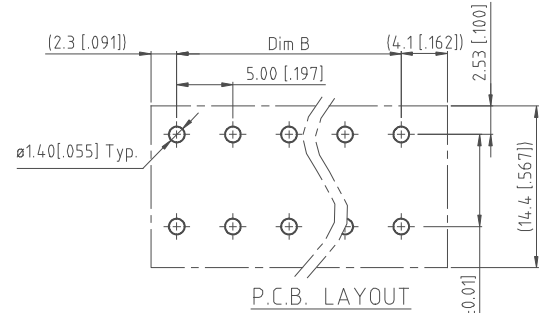
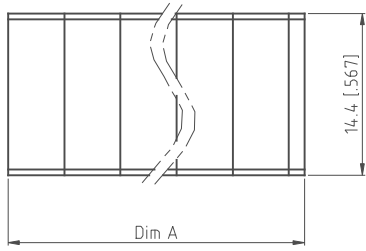
4

Copyright FCI.



FCIconnect.com

PRODUCT NUMBER	PITCH
20020369-GxxxxxxLF	5.00 mm



DIMENSION

Dim A	NX5.00[.197]+1.40[.055]
Dim B	(N-1)X5.00[.197]

N=Number of contacts

Poles	Tolerance
2p-6p	±0.10[.004]
7p-12p	±0.20[.008]
13p-18p	±0.30[.012]
19p-24p	±0.40[.016]

mat'l. code	surface ASME Y14.5	tolerance ASME Y14.5	projection	product family	
itr	ecn	no	dr	date	
tolerances unless otherwise specified				title	
angles				TERMINAL BLOCK	
X±0.5				FIXED, SIGNAL, HORIZONTAL WIRE INLET	
X.X±0.3				MM	
X'±1'				INCH	
X.XX±0.1				scale	
dr	LEIF SHEN	081012		dwg no	
enr	LEIF SHEN	081012		20020369	
chr	LEIF SHEN	081012		sheet 2 of	
appd	JOSEPH HSIA	081012		A4	
sheet index				revision sheet	type
					CUSTOMER Drawing

form: A4mmXLc

PDS: Rev :A

STATUS:Released

Printed: Aug 23, 2012