

Excellent Integrated System Limited

Stocking Distributor

Click to view price, real time Inventory, Delivery & Lifecycle Information:

[FCI](#)

[51710-026](#)

For any questions, you can email us directly:

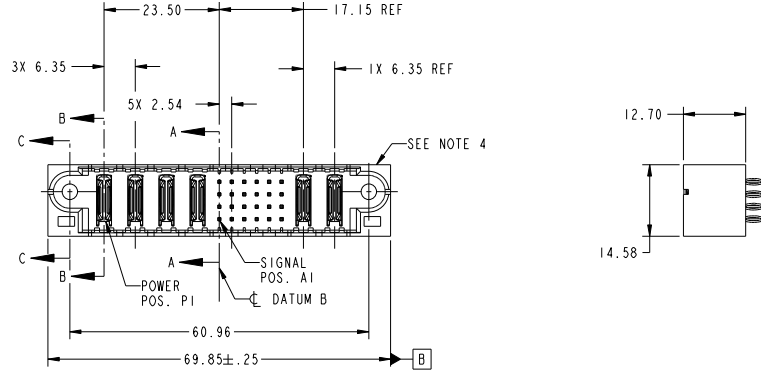
sales@integrated-circuit.com

Tous droits strictement réservés. Reproduction ou communication à des tiers interdite sous quelque forme que ce soit sans autorisation écrite du propriétaire. Propriété de FCI. Droits de reproduction FCI.

All rights strictly reserved. Reproduction or issue to third parties in any form whatever is not permitted without written authority from the proprietor. Property of FCI. Copyright FCI.



PRODUCT NO.	ROWS	POWER				SIGNAL				POWER					
		E1	P1	P2	P3	P4	1	2	3	4	5	6	P5	P6	E2
51710-026-- NOTE ③	D C B A	PC	PC	PC	PC	G	G	G	G	G	G	G	PC	PC	



CODE	DIM "M" MATING LENGTH	CONTACT TYPE
PC	[N/A]	POWER
G	[6.86]	SIGNAL
K	[5.59]	SIGNAL

mat'l code				tolerances unless otherwise specified				CUSTOMER		FCI	
ltr	ecm no.	dr	date					COPY		www.fciconnect.com	
A	DG06-0391	JULIA	09/15/06	linear	0.X ±0.5				projection	title	
B	DG07-0357	JULIA	09/10/07		0.XX ±0.25					4P + 24S + 2P	
C	DG08-0273	JW	12/05/08	angles	0.XXX ±0.10					VERTICAL PF HEADER	
					0° ±2°					product family	
				dr	JULIA WANG 09/15/06					PwrBlade	
				enrg	RYAN YUAN 09/15/06					size	dwg no
				chr	BEER FU 09/15/06					A	51710-026
				oppd	JOSEPH HSIA 09/15/06				scale	1:1	code
sheet index	revision sheet	C	C	C	C	C	C				213 sheet 1 of 4

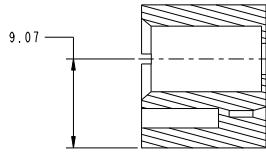
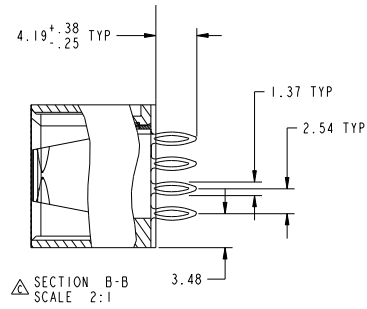
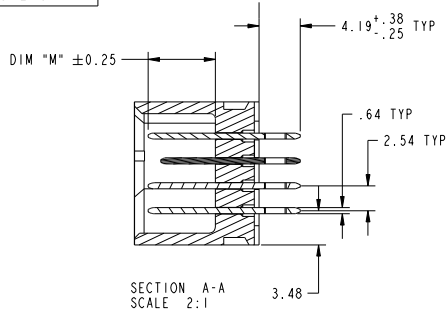
cage code 22526

Tous droits strictement réservés. Reproduction ou communication à des tiers interdite sous quelque forme que ce soit sans autorisation écrite du propriétaire. Propriété de FCI. Droits de reproduction FCI.

All rights strictly reserved. Reproduction or issue to third parties in any form whatever is not permitted without written authority from the proprietor. Property of FCI. Copyright FCI.



PRODUCT NUMBER
51710-026 _ _
NOTE 3



SECTION C-C
SCALE 2:1

CONFIDENTIAL

mat'l code				tolerances unless otherwise specified		CUSTOMER		FCI	
lfr	ecm no.	dr	date	linear	0.X ±0.5	COPY	www.fciconnect.com		
c					0.XX ±0.25	projection		title	
				angles	0.XXX ±0.10			4P + 24S + 2P	
				dr	0° ±2°	MM		VERTICAL PF HEADER	
				enr	JULIA WANG 09/15/06	scale		product family	PwrBlade
				chr	RYAN YUAN 09/15/06	1:1		size	code
				oppd	BEER FU 09/15/06			dwg no	213
sheet index	revision sheet				JOSEPH HSIA 09/15/06			51710-026	sheet 2 of 4

Pro/E

cage code 22526

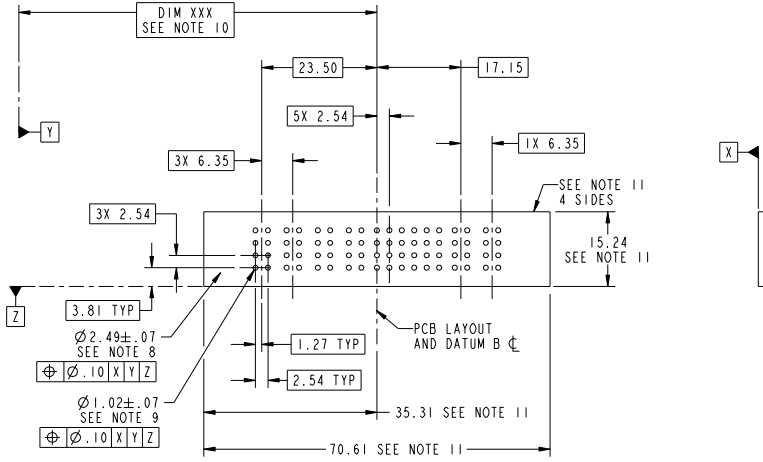
Tous droits strictement réservés. Reproduction ou communication à des tiers interdite sous quelque forme que ce soit sans autorisation écrite du propriétaire. Propriété de FCI. Droits de reproduction FCI.

All rights strictly reserved. Reproduction or issue to third parties in any form whatever is not permitted without written authority from the proprietor. Property of FCI. Copyright FCI.



PRODUCT NUMBER
51710-026 _ _
NOTE 3

1 | 2 | 3 | 4



mat'l code				tolerances unless otherwise specified		CUSTOMER	
ltr	ecm no.	dr	date	linear	0.X ± 0.5	COPY	www.fciconnect.com
C				linear	0.XX ± 0.25	projection	4P + 24S + 2P
				angles	0.XXX ± 0.10		VERTICAL PF HEADER
				angles	0° ± 2°	MM	product family PwrBlade code
		dr	JULIA WANG	09/15/06		size	dwg no 213
		enrg	RYAN YUAN	09/15/06		scale	sheet 3 of 4
		chr	BEER FU	09/15/06		1:1	51710-026
		oppd	JOSEPH HSIA	09/15/06			
sheet index	revision sheet						cage code 22526

1 | 2 | 3 | 4

Pro/E

Tous droits strictement réservés. Reproduction ou communication à des tiers
 interdite sous quelque forme que ce soit sans autorisation écrite du propriétaire.
 Property of FCI. Droits de reproduction FCI.

All rights strictly reserved. Reproduction or issue to third parties in any
 form whatever is not permitted without written authority from the proprietor
 Property of FCI. Copyright FCI.

PRODUCT NUMBER
 51710-026_
 NOTE 3

NOTES:

1. DIMENSIONS AND TOLERANCES ARE IN ACCORDANCE WITH ASME Y14.5M, 1994 UNLESS OTHERWISE SPECIFIED.
- CONNECTOR NOTES:
- ② HOUSING MATERIAL: UL 94 V-0 GLASS FILLED
 HIGH-TEMP THERMOPLASTIC
 POWER CONTACT MATERIAL: COPPER ALLOY
 SIGNAL PIN MATERIAL: COPPER ALLOY
3. PLATING:
 SEE ITEM 3 & 4 IN PRINT 10064183 FOR PLATING SPEC OF 51710-026; 51710-026LF RESPECTIVELY
- ④ MANUFACTURER'S NAME, P/N, AND DATE CODE TO APPEAR ON THIS SURFACE.
5. PRODUCT SPECIFICATION GS-12-149.
 APPLICATION SPECIFICATION BUS-20-067.
6. PACKAGED IN TRAYS.
- PCB NOTES:
7. ALL HOLE DIAMETERS ARE FINISHED HOLE SIZE.
8. MOUNTING HOLES, WHERE APPLICABLE, ARE UNPLATED.
- ⑨ $\varnothing 1.151 \pm 0.025$ DRILLED HOLES PLATED WITH
 0.008 MIN SnPb OR Sn OVER 0.03
 TO 0.08 Cu PLATING TO ACHIEVE
 $\varnothing 1.02 \pm .07$ HOLE.
- ⑩ "DIM XXX" TO BE DETERMINED BY THE CUSTOMER.
- ⑪ CONNECTOR KEEP-OUT ZONE.
12. FOR PRESS FIT APPLICATION USE FCI CAM TOOL 430169-XXX.
13. A Δ SYMBOL WILL BE NEXT TO ANY DIMENSION, VIEW, OR NOTE WHICH HAS BEEN MODIFIED WITH THE CURRENT DRAWING REVISION.

mat'l code				tolerances unless otherwise specified		CUSTOMER		FCI	
ltr	ecm no.	dr	date	linear	angles	projection	copy	title	www.fciconnect.com
C				$0.X \pm 0.5$	$0.XX \pm 0.25$		COPY	4P + 24S + 2P	
				$0.XXX \pm 0.10$	$0^\circ \pm 2^\circ$			VERTICAL PF HEADER	
				dr	JULIA WANG	09/15/06		product family	PwrBlade
				enrg	RYAN YUAN	09/15/06		size	dwg no
				chr	BEER FU	09/15/06		A	51710-026
				oppd	JOSEPH HSIA	09/15/06	scale	1:1	213
sheet index	revision sheet								4 of 4

Pro/E 3 cage code 22526 4