

Excellent Integrated System Limited

Stocking Distributor

Click to view price, real time Inventory, Delivery & Lifecycle Information:

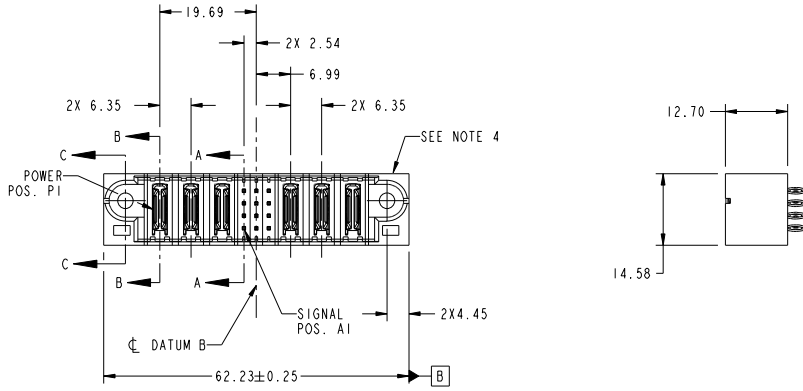
[FCI](#)
[51710-043LF](#)

For any questions, you can email us directly:
sales@integrated-circuit.com

Tous droits strictement réservés. Reproduction ou communication à des tiers interdite sous quelque forme que ce soit sans autorisation écrite du propriétaire. Propriété de FCI. Droits de reproduction FCI.

All rights strictly reserved. Reproduction or issue to third parties in any form whatever is not permitted without written authority from the proprietor. Property of FCI. Copyright FCI.

PRODUCT NO.	ROWS	POWER			SIGNAL	POWER			E2		
		E1	P1	P2	P3	1	2	3		P4	P5
51710-043-- NOTE ③	D C B A										



CODE	DIM "M" MATING LENGTH	CONTACT TYPE
PC	[N/A]	POWER
G	[6.86]	SIGNAL
K	[5.59]	SIGNAL

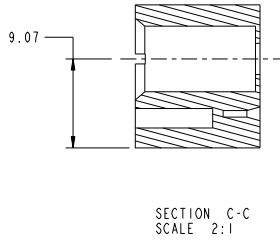
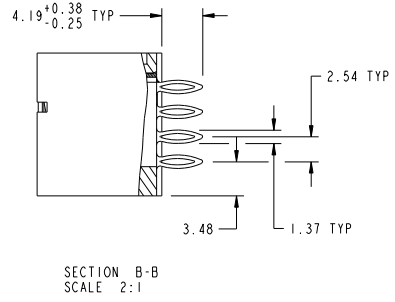
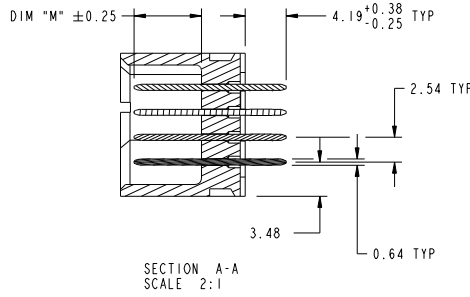
mat'l code				tolerances unless otherwise specified		CUSTOMER	
lfr	ecm no.	dr	date	0.X ±0.5	www.fciconnect.com		
A	DG10-0384	PB	11/10/10	0.XX ±0.25	projection	title	
				0.XXX ±0.1		3P + 12S + 3P	
				angles	MM	VERTICAL PRESS FIT HEADER	
				dr	scale	product family	
				engr	1:1	PwrBlade	
				chr		code	
				oppd		213	
sheet index	revision sheet	A	A	A	A	1 of 4	
1	2	3	4			cage code	
						22526	

Tous droits strictement réservés. Reproduction ou communication à des tiers interdite sous quelque forme que ce soit sans autorisation écrite du propriétaire. Propriété de FCI. Droits de reproduction FCI.

All rights strictly reserved. Reproduction or issue to third parties in any form whatever is not permitted without written authority from the proprietor. Property of FCI. Copyright FCI.



PRODUCT NUMBER
51710-043...
NOTE 3



mat'l code				tolerances unless otherwise specified		CUSTOMER		FCI	
ltr	ecm no.	dr	date	linear	0.X ±0.5	COPY		www.fciconnect.com	
A					0.XX ±0.25	projection	title		
				angles	0.XXX ±0.1		3P + 12S + 3P		
				dr	0° ±2°	MM	VERTICAL PRESS FIT HEADER		
				enr	PB Fu 10/12/10	scale	product family	PwrBlade	code
				chr	PB Fu 11/10/10	1:1	size	dwg no	213
				oppd	PW ZHENG 10/12/10		A	51710-043	sheet
sheet index	revision sheet				JOSEPH HSIA 10/12/10				2 of 4

Pro/E

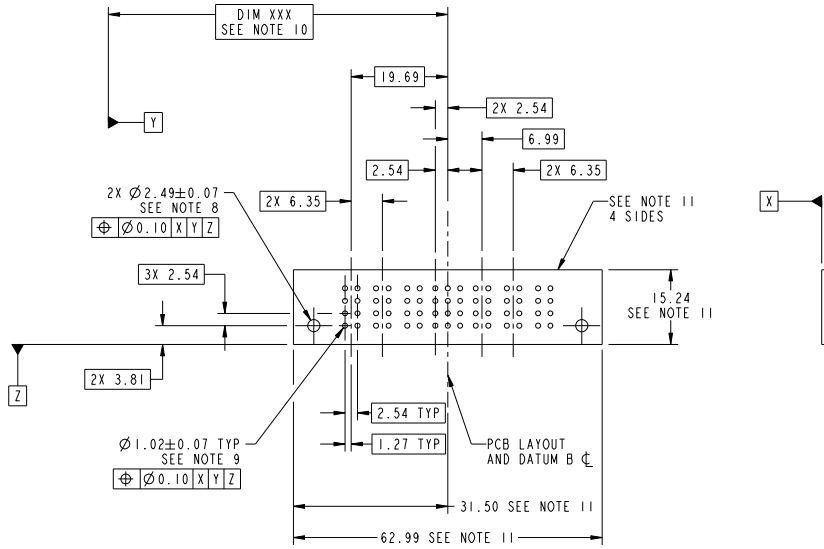
cage code 22526

Tous droits strictement réservés. Reproduction ou communication à des tiers interdite sous quelque forme que ce soit sans autorisation écrite du propriétaire. Propriété de FCI. Droits de reproduction FCI.

All rights strictly reserved. Reproduction or issue to third parties in any form whatever is not permitted without written authority from the proprietor. Property of FCI. Copyright FCI.



PRODUCT NUMBER
51710-043...
NOTE 3



RECOMMENDED PCB LAYOUT

mat'l code				tolerances unless otherwise specified		CUSTOMER	
ltr	ecm no.	dr	date	linear	0.X ± 0.5	COPY	www.fciconnect.com
A					0.XX ± 0.25	projection	
				angles	0.XXX ± 0.1		title
				dr	0° ± 2°	MM	3P + 12S + 3P
				enr	PB Fu 10/12/10	scale	VERTICAL PRESS FIT HEADER
				chr	PB Fu 11/10/10	1:1	product family
				oppd	PM ZHENG 10/12/10		PwrBlade
					JOSEPH HSIA 10/12/10		code
sheet index	revision sheet						size
							dwg no
							51710-043
							213 sheet
							3 of 4
							code
							22526

Pro/E

cage code 22526

Tous droits strictement réservés. Reproduction ou communication à des tiers interdite sous quelque forme que ce soit sans autorisation écrite du propriétaire. Propriété de FCI. Droits de reproduction FCI.

All rights strictly reserved. Reproduction or issue to third parties in any form whatever is not permitted without written authority from the proprietor. Property of FCI. Copyright FCI.

PRODUCT NUMBER
51710-043...
NOTE 3

NOTES:

1. DIMENSIONS AND TOLERANCES ARE IN ACCORDANCE WITH ASME Y14.5M, 1994 UNLESS OTHERWISE SPECIFIED.

CONNECTOR NOTES:

- ② HOUSING MATERIAL: UL 94 V-0 GLASS FILLED HIGH-TEMP THERMOPLASTIC
POWER CONTACT MATERIAL: COPPER ALLOY
SIGNAL PIN MATERIAL: COPPER ALLOY
 - 3. SEE ITEM 3 & 4 IN PRINT 10064183 FOR PLATING SPEC OF 51710-043 AND 51710-043LF RESPECTIVELY.
 - ④ MANUFACTURER'S NAME, DATE CODE AND OPTIONAL P/N TO APPEAR ON THIS SURFACE. THE P/N CAN BE OMITTED IF THERE IS NOT ENOUGH SPACE ON THIS SURFACE.
 - 5. PRODUCT SPECIFICATION GS-12-149.
APPLICATION SPECIFICATION BUS-20-067.
 - 6. PACKAGED IN TRAYS.
- PCB NOTES:
- 7. ALL HOLE DIAMETERS ARE FINISHED HOLE SIZE.
 - 8. MOUNTING HOLES, WHERE APPLICABLE, ARE UNPLATED.
 - ⑨ $\varnothing 1.151 \pm 0.025$ DRILLED HOLES PLATED WITH 0.008 MIN SnPb OR Sn OVER .001 [0.03] TO 0.08 Cu PLATING TO ACHIEVE $\varnothing 1.02 \pm 0.07$ HOLE.
 - ⑩ "DIM XXX" TO BE DETERMINED BY THE CUSTOMER.
 - ⑪ CONNECTOR KEEP-OUT ZONE.
12. FOR PRESS FIT APPLICATION USE FCI CAM TOOL 430169-XXX.

mat'l code				tolerances unless otherwise specified		CUSTOMER		FCI	
ltr	ecm no.	dr	date	linear	0.X ± 0.5	COPY		www.fciconnect.com	
A					0.XX ± 0.25	projection	title		
				angles	0.XXX ± 0.1		3P + 12S + 3P		
				dr	0° ± 2°		VERTICAL PRESS FIT HEADER		
				enrg	PB Fu 10/12/10	product family	PwrBlade		code
				chr	PB Fu 11/10/10	size	dwg no	213	
				oppd	PW ZHENG 10/12/10	scale	51710-043	sheet	
					JOSEPH HSIA 10/12/10	1:1	A	4 of 4	
sheet index	revision sheet								

Pro/E

cage code 22526