

## Excellent Integrated System Limited

Stocking Distributor

Click to view price, real time Inventory, Delivery & Lifecycle Information:

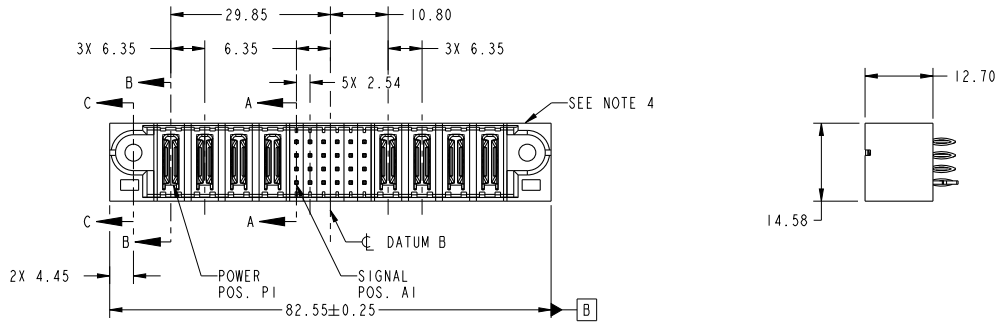
[FCI](#)

[51710-050LF](#)

For any questions, you can email us directly:

[sales@integrated-circuit.com](mailto:sales@integrated-circuit.com)

PRODUCT NO.	ROWS	POWER				SIGNAL				POWER							
		E1	P1	P2	P3	P4	1	2	3	4	5	6	P5	P6	P7	P8	E2
51710-050- NOTE ③	D C B A		PC	PC	PC	PC	G	G	G	G	G	G	PC	PC	PC	PC	



CODE	DIM "M" MATING LENGTH	CONTACT TYPE
PC	[N/A]	POWER
G	[6.86]	SIGNAL
HA	[N/A]	HOLD-DOWN
K	[5.59]	SIGNAL

spec ref	SEE NOTES		dr	Guang Shi	2012/02/16	projection		size	A4	scale	1:1
tolerance std	TOLERANCES UNLESS OTHERWISE SPECIFIED		eng	Luo Weller	2012/07/17	product family	PwrBlade	ecn no	-	rel level	Released
SEE NOTES			chr	-	-			dwg no	51710-050	rev	A
surface	linear	0.X ±0.50	 4P + 24S + 4P VERTICAL STB HEADER www.fci.com			Product - Customer Drw		sheet 1 of 4			
		0.XX ±0.25				cat. no.					
	angular	0° ±2°									

Prod File - REV C - 2009-08-09

1

2

3

PDS: Rev :A

STATUS:Released

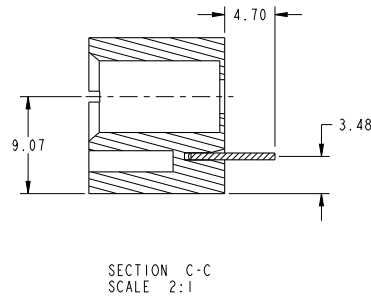
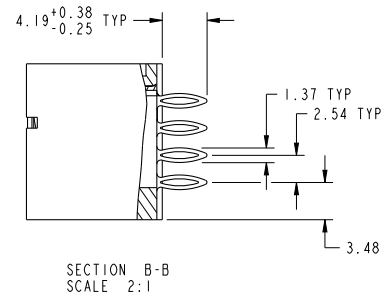
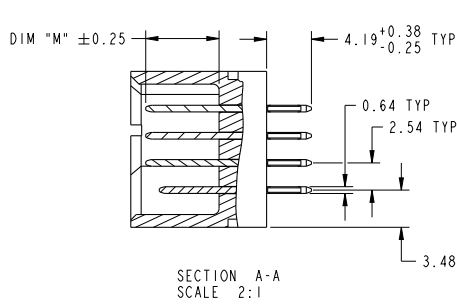
Printed: Aug 13, 2012



Copyright FCI.

PRODUCT NUMBER

51710-050\_\_  
NOTE 3



dr	Guang Shi	2012/02/16	projection	MM	size	A4	scale	1:1
eng	Luo Weller	2012/07/17			ecn no	-		
chr	-	-	product family	PwrBlade	rel level	Released		
appr	Pei-Ming Zheng	2012/08/13			title 4P + 24S + 4P VERTICAL STB HEADER	dwg no 51710-050	rev	A
www.fci.com			cat. no.	Product - Customer Drw			sheet 2 of 4	

Print File : REV C - 2009-06-09

PDS: Rev :A

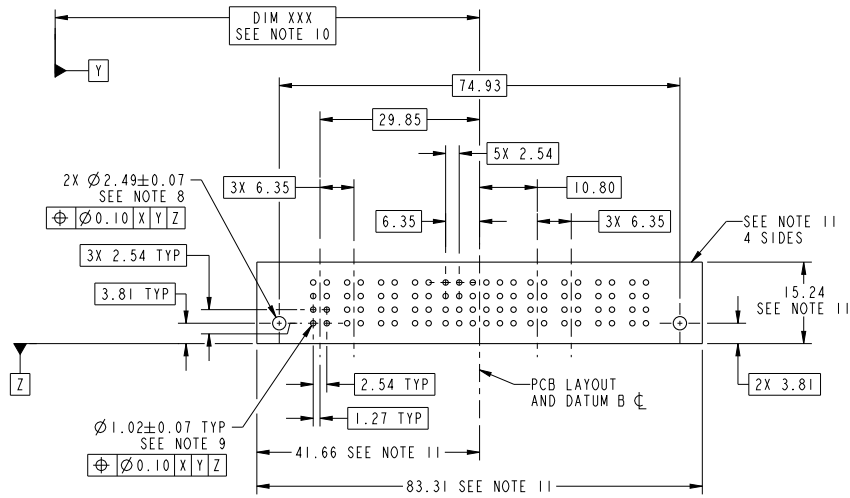
STATUS:Released

Printed: Aug 13, 2012



Copyright FCI.

PRODUCT NUMBER  
51710-050\_\_  
NOTE 3



RECOMMENDED PCB LAYOUT

dr	Guang Shi	2012/02/16	projection	MM	size	A4	scale	1:1
eng	Luo Weller	2012/07/17			ecn no	-	rel level	
chr	-	-			product family	PwrBlade	Released	
appr	Pei-Ming Zheng	2012/08/13				4P + 24S + 4P VERTICAL STB HEADER		rev A
www.fci.com			cat. no.			Product - Customer Drw		sheet 3 of 4

Print File : REV C - 2009-06-09

PDS: Rev :A

STATUS:Released

Printed: Aug 13, 2012



Copyright FCI.

**PRODUCT NUMBER**

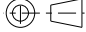

51710-050-  
NOTE 3

**NOTES:**

1. DIMENSIONS AND TOLERANCES ARE IN ACCORDANCE WITH ASME Y14.5M, 1994 UNLESS OTHERWISE SPECIFIED.

**CONNECTOR NOTES:**

- ② HOUSING MATERIAL: UL 94 V-0 GLASS FILLED HIGH-TEMP THERMOPLASTIC  
POWER CONTACT MATERIAL: COPPER ALLOY  
SIGNAL PIN MATERIAL: COPPER ALLOY
  - 3. SEE ITEM 1 & 2 IN PRINT 10064183 FOR PLATING SPEC OF 51710-050 AND 51710-050LF RESPECTIVELY.
  - ④ MANUFACTURER'S NAME, DATE CODE AND OPTIONAL P/N TO APPEAR ON THIS SURFACE. THE P/N CAN BE OMITTED IF THERE IS NOT ENOUGH SPACE ON THIS SURFACE.
  - 5. PRODUCT SPECIFICATION GS-12-149.  
APPLICATION SPECIFICATION BUS-20-067.
  - 6. PACKAGED IN TRAYS.
- PCB NOTES:**
- 7. ALL HOLE DIAMETERS ARE FINISHED HOLE SIZE.
  - 8. MOUNTING HOLES, WHERE APPLICABLE, ARE UNPLATED.
  - ⑨  $\varnothing 1.151 \pm 0.025$  DRILLED HOLES PLATED WITH  
0.008 MIN SnPb OR Sn OVER .001 [0.03]  
TO 0.08 Cu PLATING TO ACHIEVE  
 $\varnothing 1.02 \pm 0.07$  HOLE.
  - ⑩ "DIM XXX" TO BE DETERMINED BY THE CUSTOMER.
  - ⑪ CONNECTOR KEEP-OUT ZONE.
12. FOR PRESS FIT APPLICATION USE FCI CAM TOOL 430169-XXX.

dr	Guang Shi	2012/02/16	projection		MM	size	A4	scale	1:1	
eng	Luo Weller	2012/07/17	chr			-	ecn no	-		
appr	Pei-Ming Zheng	2012/08/13	product family	PwrBlade		rel level	Released			
			title	4P + 24S + 4P VERTICAL STB HEADER		dwg no	51710-050		rev	A
www.fci.com			cat. no.	Product - Customer Drw			sheet 4 of 4			

Print File - REV C - 2009-06-09



Copyright FCI.