

## **Excellent Integrated System Limited**

Stocking Distributor

Click to view price, real time Inventory, Delivery & Lifecycle Information:

[FCI](#)

[51712-006](#)

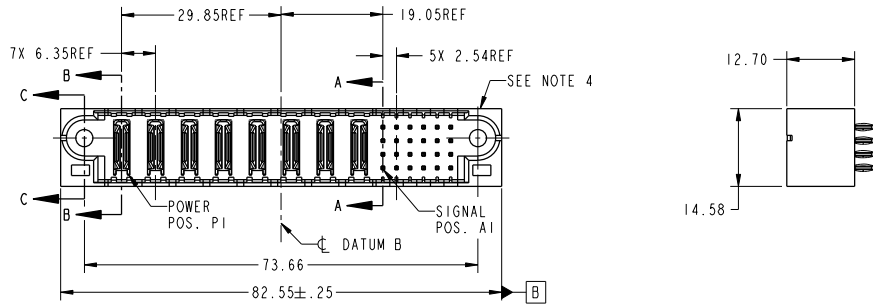
For any questions, you can email us directly:

[sales@integrated-circuit.com](mailto:sales@integrated-circuit.com)

Tous droits strictement réservés. Reproduction ou communication à des tiers interdite sous quelque forme que ce soit sans autorisation écrite du propriétaire. Propriété de FCI. Droits de reproduction FCI.

All rights strictly reserved. Reproduction or issue to third parties in any form whatever is not permitted without written authority from the proprietor. Property of FCI. Copyright FCI.

PRODUCT NO.	ROWS	POWER								SIGNAL								
		E1	P1	P2	P3	P4	P5	P6	P7	P8	1	2	3	4	5	6	E2	
51712-006-- NOTE: 3	D C B A		PC	PC	PC	PC	PC	PC	PC	PC	G	G	G	G	K	K	K	K



CODE	DIM "M" MATING LENGTH	CONTACT TYPE
PC	[N/A]	POWER
G	[6.86]	SIGNAL
K	[5.59]	SIGNAL

mat'l code		SEE NOTE		tolerances unless otherwise specified		CUSTOMER		www.fciconnect.com	
ltr	ecm no.	dr	date	linear	0.X ±0.3	COPY		projection	title
A	V04-0667	TAB	06/28/04	linear	0.XX ±0.13	MM		⊕	8P + 24S
B	D605-0389	GuoJM	10/14/05	angles	0.XXX ±0.051	1:1		⊕	VERTICAL PRESS-FIT HEADER
C	D607-0357	JULIA	09/10/07	dr	T. BRUNGARD 06/28/04	MM		⊕	product family PwrBlade
				engr	M. GRAY 06/28/04	1:1		⊕	size
				chr	M. GRAY 06/28/04	1:1		⊕	dwg no
				appd	M. GRAY 06/28/04	1:1		⊕	51712-006
sheet index	revision sheet	C	C	C	C	1:1		⊕	code 213
		1	2	3	4	1:1		⊕	sheet 1 of 4
						1:1		⊕	cage code 22526

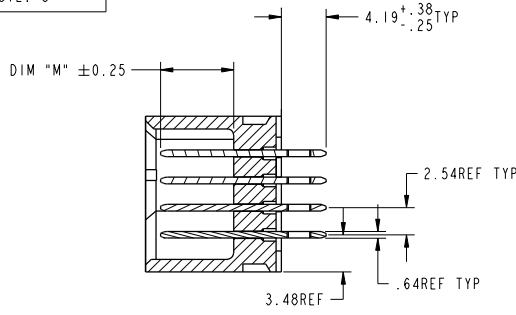
Pro/E

Tous droits strictement réservés. Reproduction ou communication a des tiers interdite sous quelque forme que ce soit sans autorisation écrite du propriétaire. Propriété de c FCI. Droits de reproduction FCI.

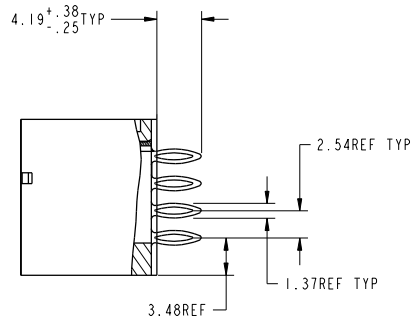


All rights strictly reserved. Reproduction or issue to third parties in any form whatever is not permitted without written authority from the proprietor. Property of FCI. Copyright FCI.

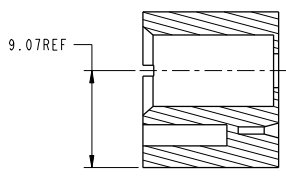
PRODUCT NUMBER  
51712-006--  
NOTE: 3



SECTION A-A  
SCALE 2:1



SECTION B-B  
SCALE 2:1



SECTION C-C  
SCALE 2:1

mat'l code		SEE NOTE		tolerances unless otherwise specified		CUSTOMER		www.fciconnect.com	
ltr	ecn no.	dr	date	linear	0.X ±0.3	projection	COPY	title	8P + 24S
C				linear	0.XXX ±0.13			VERTICAL PRESS-FIT HEADER	
				angles	0° ±2°			product family	PwrBlade
		dr	T. BRUNGARD	06/28/04		size	A	dwg no	51712-006
		engr	M. GRAY	06/28/04		scale	1:1	sheet	2
		chr	M. GRAY	06/28/04					
		appd	M. GRAY	06/28/04					
sheet index	revision sheet							cage code	22526

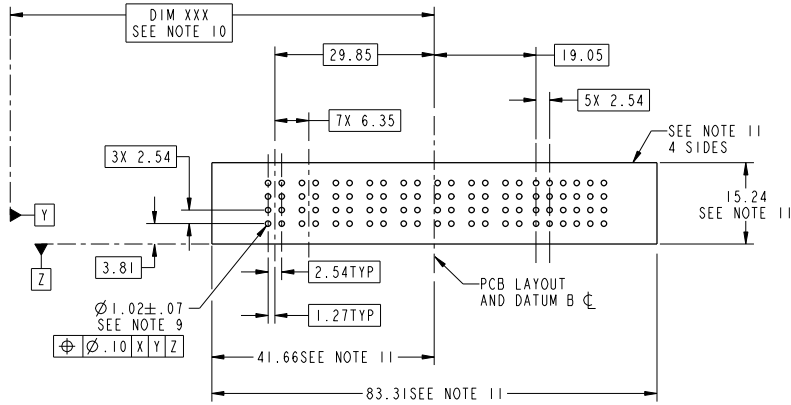
Pro/E

Tous droits strictement réservés. Reproduction ou communication a des tiers interdite sous quelque forme que ce soit sans autorisation écrite du propriétaire. Propriété de c FCI. Droits de reproduction FCI.



All rights strictly reserved. Reproduction or issue to third parties in any form whatever is not permitted without written authority from the proprietor. Property of FCI. Copyright FCI.

PRODUCT NUMBER  
51712-006--  
NOTE: 3



mat'l code				tolerances unless otherwise specified		CUSTOMER	
ltr	ecn no.	dr	date	linear	0.X ±0.3	www.fciconnect.com	
C				linear	0.XX ±0.13	projection	title
				angles	0.XXX ±0.051		8P + 24S
					0° ±2°		VERTICAL PRESS-FIT HEADER
		dr	T. BRUNGARD 06/28/04			product family	PwrBlade
		engr	M. GRAY 06/28/04			size	213
		chr	M. GRAY 06/28/04			scale	3 of 4
		appd	M. GRAY 06/28/04			1:1	sheet
sheet index	revision sheet						3 of 4
							code
							213
							sheet
							3 of 4
							code
							22526

Pro/E

Tous droits strictement réservés. Reproduction ou communication o des tiers interdite sous quelque forme que ce soit sans autorisation écrite du propriétaire. Propriété de c FCI. Droits de reproduction FCI.



All rights strictly reserved. Reproduction or issue to third parties in any form whatever is not permitted without written authority from the proprietor. Property of FCI. Copyright FCI.

<b>PRODUCT NUMBER</b>
51712-006-- NOTE: 3

**NOTES:**

1. DIMENSIONS AND TOLERANCES ARE IN ACCORDANCE WITH ASME Y14.5M, 1994 UNLESS OTHERWISE SPECIFIED.

**CONNECTOR NOTES:**

- ② HOUSING MATERIAL: UL 94 V-0 GLASS FILLED HIGH-TEMP THERMOPLASTIC  
POWER CONTACT MATERIAL: COPPER ALLOY  
SIGNAL PIN MATERIAL: COPPER ALLOY
  - 3. PLATING:  
51712-006 ,51712-006LF PLATING SPEC. WAS SHOWN IN THE PRINT OF 10064183.
  - ④ MANUFACTURER'S NAME, P/N, AND DATE CODE TO APPEAR ON THIS SURFACE.
  - 5. PRODUCT SPECIFICATION GS-12-149.  
APPLICATION SPECIFICATION BUS-20-067.
  - 6. PACKAGED IN TRAYS.
- PCB NOTES:**
- 7. ALL HOLE DIAMETERS ARE FINISHED HOLE SIZE.
  - 8. MOUNTING HOLES, WHERE APPLICABLE, ARE UNPLATED.
  - ⑨  $\varnothing 1.151 \pm 0.025$  DRILLED HOLES PLATED WITH 0.008 MIN SnPb OR Sn OVER .001 [0.03] TO 0.08 Cu PLATING TO ACHIEVE  $\varnothing 1.02 \pm .07$  HOLE.
  - ⑩ "DIM XXX" TO BE DETERMINED BY THE CUSTOMER.
  - ⑪ CONNECTOR KEEP-OUT ZONE.
12. FOR PRESS FIT APPLICATION USE FCI CAM TOOL 430169-XXX.

mat'l code		SEE NOTE		tolerances unless otherwise specified		CUSTOMER		FCI www.fciconnect.com	
ltr	ecn no.	dr	date	linear	0.X ± 0.3	COPY		title	
C				linear	0.XX ± 0.13	projection		8P + 24S	
				angles	0.XXX ± 0.051			VERTICAL PRESS-FIT HEADER	
				dr	T. BRUNGARD 06/28/04			product family PwrBlade	
				engr	M. GRAY 06/28/04	scale		size	
				chr	M. GRAY 06/28/04	1:1		dwg no	
				appd	M. GRAY 06/28/04			A 51712-006	
sheet index	revision sheet								code
									213
									sheet 4

Pro/E

cage code 22526