

Excellent Integrated System Limited

Stocking Distributor

Click to view price, real time Inventory, Delivery & Lifecycle Information:

[FCI](#)

[51712-010LF](#)

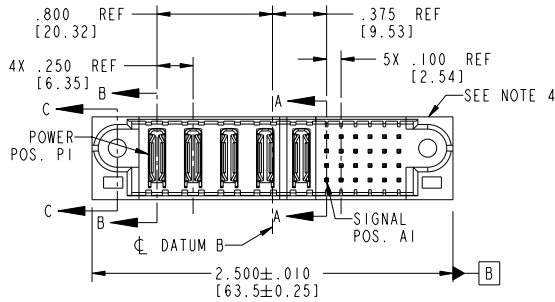
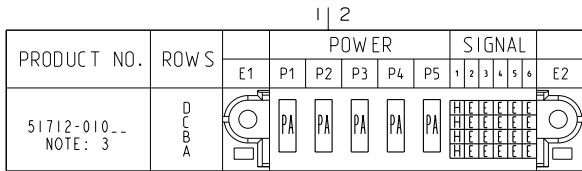
For any questions, you can email us directly:

sales@integrated-circuit.com

Tous droits strictement réservés. Reproduction ou communication, o des liens interdite sous quelque forme que ce soit sans autorisation écrite du propriétaire. Propriété de c FCI. Droits de reproduction FCI.

FCI

All rights strictly reserved. Reproduction or issue to third parties in any form whatever is not permitted without written authority from the proprietor. Property of FCI. Copyright FCI.



CODE	DIM "M" MATING LENGTH		CONTACT TYPE
PA	N/A	[N/A]	POWER
E	.270	[6.86]	SIGNAL
H	.220	[5.59]	SIGNAL

mat'l code		SEE NOTE 2		tolerances unless otherwise specified		CUSTOMER		FCI www.fciconnect.com	
lfr	ecm no.	dr	date	linear	XX±.01/0.X±0.3	projection	COPY	title	5P + 24S
A	DG06-0065	JMG	02/21/06	angles	.XXX±.005/0.XY±0.13		INCH/MM	product family	VERTICAL STB HEADER
				dr	XXXX±.0020/0.XY±0.051		scale	size	PwrBlade
				engr	0° ± 2°		1:1	dwg no	213
				chr	JM GUO 02/21/06			sheet	1 of 4
				appd	SLUO 02/21/06				
					BEER FU 02/21/06				
					JOSEPH HSIA 02/21/06				
sheet index	revision sheet	A	A	A	A			cage code	22526
		1	2	3	4				

Pro/E

PDM: Rev:A

STATUS: **Released**

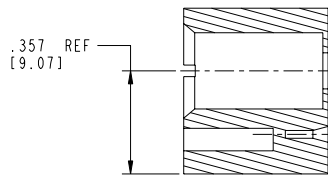
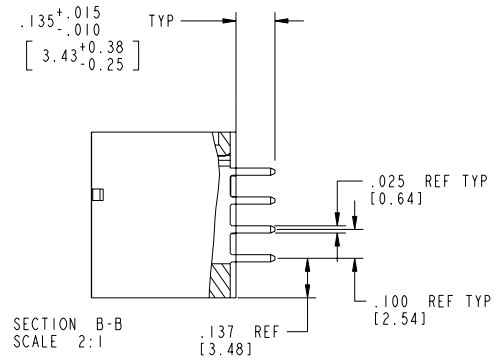
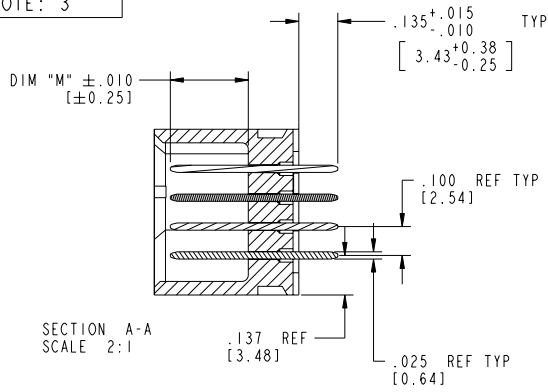
Printed: Dec 20, 2010

Tous droits strictement réservés. Reproduction ou communication, o des tiers interdite sous quelque forme que ce soit sans autorisation écrite du propriétaire. Propriété de c FCI. Droits de reproduction FCI.

FCI

All rights strictly reserved. Reproduction or issue to third parties in any form whatever is not permitted without written authority from the proprietor. Property of FCI. Copyright FCI.

PRODUCT NUMBER
51712-010--
NOTE: 3



SECTION C-C
SCALE 2:1

mat'l code		SEE NOTE 2		tolerances unless otherwise specified		CUSTOMER		 www.fciconnect.com	
lfr	ecn no.	dr	date	linear	$.XX \pm .01/0.X \pm 0.3$ $.XXX \pm .005/0.XX \pm 0.13$ $.XXXX \pm .0020/0.XXX \pm 0.051$	projection	COPY	title	5P + 24S
A				angles	$0^\circ \pm 2^\circ$			VERTICAL STB HEADER	
		dr	JM GUO	02/21/06		INCH/MM		product family	PwrBlade
		engr	SLUO	02/21/06		scale	A	size	213
		chr	BEER FU	02/21/06		1:1		dwg no	51712-010
		appd	JOSEPH HSIA	02/21/06				sheet	2 of 4
sheet index	revision sheet								

Pro/E

cage code 22526

PDM: Rev:A

Status: **Released**

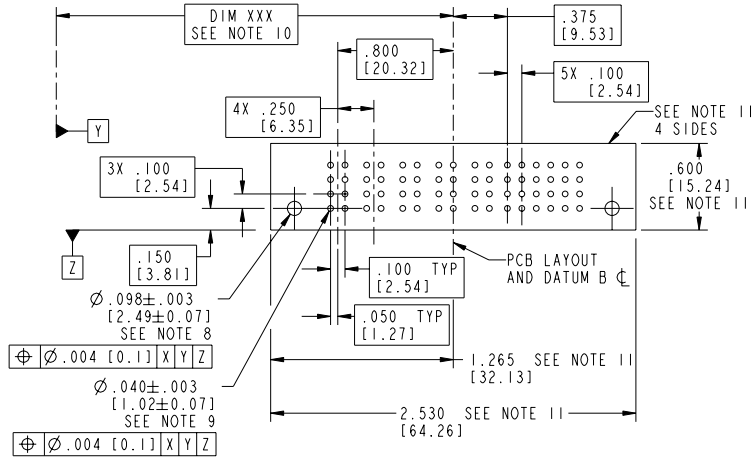
Printed: Dec 20, 2010

Tous droits strictement réservés. Reproduction ou communication, o des liens interdite sous quelque forme que ce soit sans autorisation écrite du propriétaire. Propriété de c FCI. Droits de reproduction FCI.

FCI

All rights strictly reserved. Reproduction or issue to third parties in any form whatever is not permitted without written authority from the proprietor. Property of FCI. Copyright FCI.

PRODUCT NUMBER
51712-010--
NOTE: 3



mat'l code		SEE NOTE 2		tolerances unless otherwise specified		CUSTOMER		www.fciconnect.com	
ltr	ecn no.	dr	date	linear	$XY \pm .01/0, Y \pm 0.3$ $.XXX \pm .005/0, XY \pm 0.13$ $.XXXX \pm .002/0, XY \pm 0.051$	projection	COPY	title	5P + 24S
A				angles	$0^\circ \pm 2^\circ$			VERTICAL STB HEADER	
		dr	JM GUO 02/21/06	scale	INCH/MM			product family	PwrBlade
		enr	SLUO 02/21/06	size	A			code	213
		chr	BEER FU 02/21/06	scale	1:1			sheet	3 of 4
		appd	JOSEPH HSIA 02/21/06					dwg no	51712-010
sheet index	revision sheet							cage code	22526

Pro/E

PDM: Rev:A

STATUS: **Released**

Printed: Dec 20, 2010

Tous droits strictement réservés. Reproduction ou communication, o des liers interdite sous quelque forme que ce soit sans autorisation écrite du propriétaire. Propriété de c FCI. Drois de reproduction FCI.

FCI

All rights strictly reserved. Reproduction or issue to third parties in any form whatever is not permitted without written authority from the proprietor. Property of FCI. Copyright FCI.

PRODUCT NUMBER
51712-010--
NOTE: 3

NOTES:


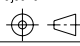
1. DIMENSIONS AND TOLERANCES ARE IN ACCORDANCE WITH ASME Y14.5M, 1994 UNLESS OTHERWISE SPECIFIED.

CONNECTOR NOTES:

- ② HOUSING MATERIAL: UL 94 V-0 GLASS FILLED HIGH-TEMP THERMOPLASTIC
POWER CONTACT MATERIAL: COPPER ALLOY
SIGNAL PIN MATERIAL: COPPER ALLOY
- 3. 51712-010;51712-010LF;51712-010GLF PLATING SPEC. SEE PRINT:10064183
- ④ MANUFACTURER'S NAME, P/N, AND DATE CODE TO APPEAR ON THIS SURFACE.
- 5. PRODUCT SPECIFICATION GS-12-149.
APPLICATION SPECIFICATION BUS-20-067.
- 6. PACKAGED IN TRAYS.

PCB NOTES:

- 7. ALL HOLE DIAMETERS ARE FINISHED HOLE SIZE.
- 8. MOUNTING HOLES, WHERE APPLICABLE, ARE UNPLATED.
- ⑨ $\varnothing .0453 \pm .0010$ [1.151 \pm .025] DRILLED HOLES PLATED WITH .0003 [0.008] MIN SnPb OVER .001 [0.03] TO .003 [0.08] Cu PLATING TO ACHIEVE $\varnothing .040 \pm .003$ [1.02 \pm .07] HOLE.
- ⑩ "DIM XXX" TO BE DETERMINED BY THE CUSTOMER.
- ⑪ CONNECTOR KEEP-OUT ZONE.

mat'l code		SEE NOTE 2		tolerances unless otherwise specified		CUSTOMER		 www.fciconnect.com	
lfr	ecn no.	dr	date	linear	$.XY \pm .01/0.X \pm 0.3$ $.XXX \pm .005/0.XX \pm 0.13$ $.XXXX \pm .002/0.XXX \pm 0.051$	projection	COPY	title	5P + 24S VERTICAL STB HEADER
A				angles	$0^\circ \pm 2^\circ$			product family	PwrBlade
				dr	JM GUO 02/21/06	INCH/MM		size	code
				engr	SLUO 02/21/06	scale		dwg no	213
				chr	BEER FU 02/21/06	1:1		sheet	4 of 4
				appd	JOSEPH HSIA 02/21/06				
sheet index	revision sheet								

Pro/E

cage code 22526

PDM: Rev:A

STATUS: **Released**

Printed: Dec 20, 2010